

BRANT RADIANT

RE-VERBER-RAY

RADIANT GAS HEATERS®

HEATERS LIMITED

COMMERCIAL & INDUSTRIAL

SERIES

● SE2

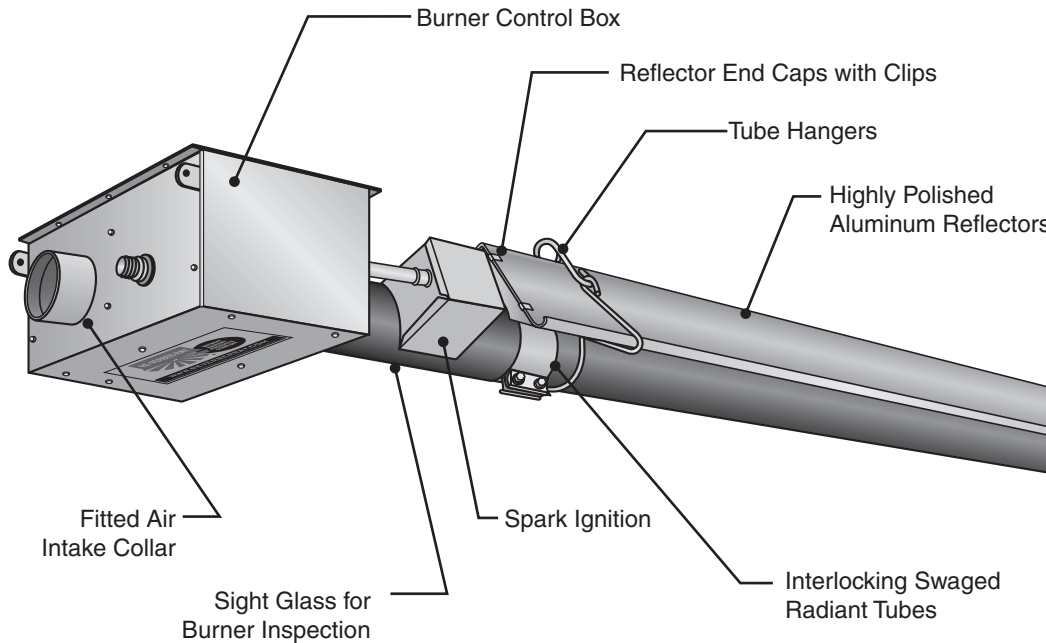
○ ST2

SE2 SERIES

GAS-FIRED, SINGLE STAGE, ECONOMY INFRARED HEATERS

Streamlined for economy and designed without sacrificing performance, the SE2 Series represents quality at an economical price. Utilizing a direct spark ignition system and hot-rolled steel emitter tubes, this series is the best in this class of equipment.

PRODUCT FEATURES



SPECIFIC FEATURES

- Tool-free access to spark ignition.
- Separated air and gas burner chamber.
- Quiet operation.
- Single or dual vent option through sidewall or roof.
- ABS plastic air intake collar for connection to 4" PVC/DWV pipe.

PRODUCT FEATURES COMPARISON CHART

	ST2	SE2
Highly Polished Aluminum Reflectors	•	●
Coated Titanium or Aluminized Combustion Chamber	•	●
Hot Rolled Steel Radiant Tubes	•	●
Spark Ignition	•	●
Type 1 Rubber Flexible Gas Connector	•	●
Two-stage Technology	•	
Interlocking Swaged Tubes	•	●
Stainless Steel Models Available		
Reflector End Caps Included	•	●
Optional 'U' or 'L' Configurations Available	•	●

BRANT RADIANT HEATERS LTD.

34 Scott Ave.
Paris, ON N3L 3R1



Phone: 1-519-442-7823
Toll Free: 1-800-387-4778
Fax: 1-519-442-7321
E-mail: sales@brantradiant.com
Website: www.brantradiant.com

VISIT BRANTRADIANT.COM FOR:

- Product Specs
- Parts Support
- Dealer Locator
- Applications
- C.A.D. Library
- Design Guidelines
- Theory of Infrared
- and More!

Learn more at youtube.com/reverberray



SE2 SERIES

SPECIFICATIONS

PRODUCT SPECIFICATIONS

BTU Range:	50-200 MBH
Lengths:	20-80 Ft.
Gas Type:	Natural or Propane
Combustion Chamber:	Coated Aluminized or Titanium
Radiant Tubes:	Hot-Rolled Steel
Certification:	CSA
Limited Warranty:	1-2-3 (Components-Tubes-Burner)

OPTIONAL EQUIPMENT

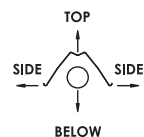
"U", "L" or "45°" Configurations:	Available
Stainless Steel Upgrades:	Not Available
24V Controls:	Available
Indicator Lights:	Not Available
Protective Guards:	Available
Side Shield Extensions:	Available
Outdoor Approval:	Not Available

AVAILABLE SE2 MODELS & CLEARANCES

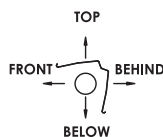
MODEL #	GAS	BTU/H	LENGTH	WEIGHT	MOUNTING HEIGHTS*
SE2-20-50	N or LP	50,000	21'-8"	120#	9' to 14'
SE2-20-60	N or LP	60,000	21'-8"	120#	10' to 15'
SE2-20-75	N or LP	75,000	21'-8"	120#	11' to 18'
SE2-30-50	N or LP	50,000	31'-4"	160#	10' to 15'
SE2-30-60	N or LP	60,000	31'-4"	160#	11' to 18'
SE2-30-75	N or LP	75,000	31'-4"	160#	12' to 20'
SE2-30-100	N or LP	100,000	31'-4"	160#	13' to 23'
SE2-30-125	N or LP	125,000	31'-4"	160#	14' to 25'
SE2-40-50	N or LP	50,000	41'-0"	190#	11' to 18'
SE2-40-60	N or LP	60,000	41'-0"	190#	11' to 18'
SE2-40-75	N or LP	75,000	41'-0"	190#	12' to 20'
SE2-40-100	N or LP	100,000	41'-0"	190#	13' to 23'
SE2-40-125	N or LP	125,000	41'-0"	190#	14' to 25'
SE2-40-150	N or LP	150,000	41'-0"	190#	15' to 27'
SE2-40-175	N or LP	175,000	41'-0"	190#	16' to 30'
SE2-50-100	N or LP	100,000	50'-8"	235#	15' to 27'
SE2-50-125	N or LP	125,000	50'-8"	235#	15' to 27'
SE2-50-150	N or LP	150,000	50'-8"	235#	16' to 30'
SE2-50-175	N or LP	175,000	50'-8"	235#	17' to 35'
SE2-50-200	N or LP	200,000	50'-8"	235#	18' to 40'
SE2-60-125	N or LP	125,000	60'-4"	265#	16' to 30'
SE2-60-150	N or LP	150,000	60'-4"	265#	17' to 35'
SE2-60-175	N or LP	175,000	60'-4"	265#	17' to 35'
SE2-60-200	N or LP	200,000	60'-4"	265#	18' to 40'
SE2-70-175	N or LP	175,000	70'-1"	300#	19' to 42'
SE2-70-200	N or LP	200,000	70'-1"	300#	19' to 42'
SE2-80-200	N or LP	200,000	79'-9"	330#	20' to 45'

* Specify natural (N) or propane (LP) gas.

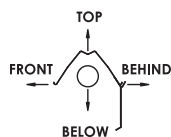
0° Mounting Angle



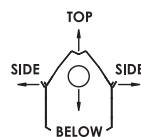
45° Mounting Angle



0° W/ 1 Side Shield



0° W/ 2 Side Shields



DISTRIBUTED BY:



ELECTRICAL

- 120V, 60Hz, 3-wire
- 4.8A starting, 1.1A running

CONTROLS

- Potted circuitry
- 120V thermostat control

TUBE CONSTRUCTION

- As shown at left
- 4" x 10' 16 ga. construction
- Labour saving, interlocking swaged tube design

REFLECTORS

- Highly polished aluminum
- End caps included
- 0° - 45° rotatable angle
- Reflector tension springs

IGNITION/SENSE

- Spark ignition
- Flame rod sense

VENTING

- 4" single vent
- 6" common vent (single t-stat)

GAS CONNECTION

- 1/2" or 3/4" Type 1 Hose provided

GAS PRESSURES

- MAN: 3.5" NAT or 10.0" LP
- MIN: 5.0" NAT or 11.0" LP
- MAX: 14.0" NAT or 14.0" LP

COMBUSTION AIR

- Equipped for ducted air intake from roof or sidewall

KIT CONTENTS

- All hangers & couplers
- Reflector end caps
- Turbulator baffle(s)

SE2 CLEARANCES TO COMBUSTIBLES (IN.)

MODEL NO.	MOUNTING ANGLE	SIDE			
		FRONT	BEHIND	TOP	BELOW
SE2-(20,30,40)-50,60	0°	9	9	6	47
	45°	39	8	10	47
W/1 Side Shield	0°	29	8	6	47
W/2 Side Shields	0°	9	9	6	47
20 ft. from Burner	0°	7	7	6	30
SE2-(20,30,40)-75	0°	9	9	6	60
	45°	39	8	10	60
W/1 Side Shield	0°	29	8	6	60
W/2 Side Shields	0°	9	9	6	60
20 ft. from Burner	0°	7	7	6	30
SE2-(30,40,50)-100	0°	14	14	6	66
	45°	39	8	10	66
W/1 Side Shield	0°	29	8	6	66
W/2 Side Shields	0°	16	16	6	66
20 ft. from Burner	0°	7	7	6	30
SE2-(30,40,50,60)-125	0°	20	20	6	76
	45°	58	8	10	76
W/1 Side Shield	0°	42	8	6	76
W/2 Side Shields	0°	20	20	6	76
20 ft. from Burner	0°	7	7	6	30
SE2-(40,50,60)-150	0°	24	24	6	81
	45°	58	8	10	81
W/1 Side Shield	0°	42	8	6	81
W/2 Side Shields	0°	23	23	6	81
20 ft. from Burner	0°	11	11	6	44
SE2-(40,50,60,70)-175	0°	34	34	6	92
	45°	63	8	10	92
W/1 Side Shield	0°	50	8	6	92
W/2 Side Shields	0°	30	30	6	92
20 ft. from Burner	0°	11	11	6	44
SE2-(50,60,70,80)-200	0°	41	41	6	94
	45°	63	8	10	94
W/1 Side Shield	0°	54	8	6	94
W/2 Side Shields	0°	30	30	6	94
20 ft. from Burner	0°	11	11	6	44

Clearances posted on product safety labeling supersede data above.

* Recommended mounting heights are provided as a guideline.