

SERIES

● DSCS

○ DSCD

○ DSCM

BRANT RADIANT

RE-VERBER-RAY



INFRARED RADIANT HEATERS®

HEATERS LIMITED

GAS FIRED PATIO HEATER

DSCS SERIES

GAS FIRED HIGH INTENSITY INFRARED PATIO HEATER

Designed to add warmth to outdoor patio applications, the Designer Series Patio-Pal® infrared heater is the perfect solution to stylishly extend the outdoor season to many commercial and residential applications.

The Patio-Pal® easily mounts out of the way and without the hassle of refilling costly propane tanks. Specifically designed for comfort, reliability and ease of installation, the Patio-Pal® is sure to deliver the desired amount of warmth for dining, entertainment or work areas.

PATIO·PAL® DESIGNER SERIES

NO FAN
DESIGN



*Stylishly Extend
the Outdoor Season*

TYPICAL APPLICATIONS

- Restaurant Patios
- Outdoor Living Spaces
- Vestibules/Entrance Ways
- Valet Waiting Areas
- Smoking Areas

PRODUCT FEATURES

- ETL Design Certified to ANSI Z83.26 Standard.
- Decorative Stainless Steel Windscreen Eggcrate Grille.
- Wind and Rain Protected Design.
- Reliable Direct Spark Ignition.
- Potted (Water Resistant) 24V Circuitry.
- Black-Coated Aluminized or Brushed 430 Stainless Steel Housing.

BRANT RADIANT HEATERS LTD.

34 Scott Ave.
Paris, ON N3L 3R1

Phone: 1-519-442-7823
Toll Free: 1-800-387-4778
Fax: 1-519-442-7321
E-mail: sales@brantradiant.com
Website: www.brantradiant.com

VISIT OUR WEBSITE FOR:

- Product Specs
- Parts Support
- Dealer Locator
- Applications
- C.A.D. Library
- Design Guidelines
- Theory of Infrared
- and More!

DSCS SERIES



SPECIFICATIONS

PRODUCT SPECIFICATIONS

Natural Gas Models:	31,000 & 34,000 BTU/h
Propane Gas Models:	31,000 BTU/h
Certification:	ETL ANSI Z83.26 Standard
Limited Warranty:	1 year controls, 5 years burner
Gas Connections:	1/2" NPT
Manifold:	6" Natural or 10" Propane
Minimum:	7" Natural or 11" Propane
Maximum:	14" Natural or 14" Propane
Volts:	24 VAC/60 Hz Single Phase
Amps:	0.65 starting, 0.48 running
Control Voltage:	24 VAC

Operational Costs: On average, operating a gas fired heater with a 20-lb. LP cylinder costs upwards of 4 to 5 times more than operating on Natural Gas. Consult your local utility provider for a fuel cost analysis.

OPTIONAL EQUIPMENT:

Mounting Brackets:	PH-BKT or PH-BKT-SS
Clearance Safety Sign:	PLQ

WARNING

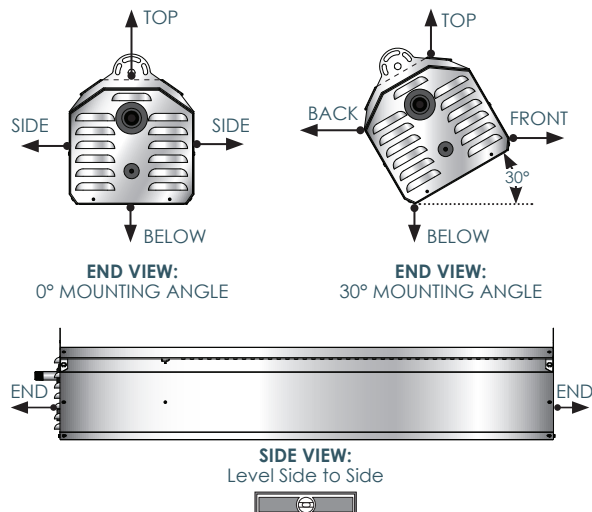
To Prevent Serious Injury, Property Damage or Death:

- Clearance to combustibles must be maintained.
- Do not use this heater in the home, sleeping quarters, attached garages or other non-approved applications.

AVAILABLE DSCS MODELS

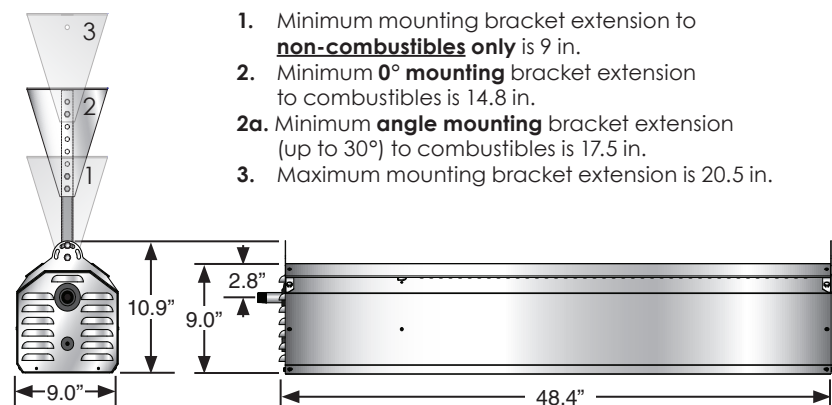
MODEL	GAS	BTU/h	APPROX. COVERAGE	SHIP WEIGHT	TYP. OR RCMD. MOUNTING HEIGHTS*	CLEARANCE TO COMBUSTIBLES**						
						MTG. ANGLE	SIDE(S)	ENDS	BELOW	TOP	BACK	FRONT
DSCS-31N (SS)	Nat.	31,000	8' x 8'	^59 lbs.	8'-0" to 12'-0"	0°	18"	12"	48"	13"	N/A	N/A
						30°	N/A	12"	40"	18"	18"	36"
DSCS-31P (SS)	Prop.	31,000	8' x 8'	^59 lbs.	8'-0" to 12'-0"	0°	18"	12"	48"	13"	N/A	N/A
						30°	N/A	12"	40"	18"	18"	36"
DSCS-34N (SS)	Nat.	34,000	9' x 9'	^59 lbs.	8'-6" to 13'-0"	0°	18"	12"	48"	13"	N/A	N/A
						30°	N/A	12"	40"	18"	18"	36"

* Typical or recommended mounting heights are provided as a guideline. Actual conditions may dictate variations from the above data.
 ** **Always** maintain the published clearances to combustibles. **NOTE:** Certain applications (awnings, fabrics, plastics, sprinklers, insulation) may require the heater to be mounted at a distance in excess of the published clearances to combustibles. Contact the factory. **IMPORTANT:** If the heater is mounted beneath a non-combustible surface, an 8 inch minimum top clearance must be maintained from the top of the heater to prevent overheating the controls. ^Shipping weight is 65 lbs. with optional mounting bracket (PH-BKT). Box dimensions 54"x17"x15". Truckline transportation for orders containing three or more units is recommended.



DSC SERIES & OPTIONAL MOUNTING BRACKET DIMENSIONS

Optional mounting brackets (PH-BKT) are adjustable in 1 inch intervals.



1. Minimum mounting bracket extension to **non-combustibles only** is 9 in.
2. Minimum **0° mounting** bracket extension to combustibles is 14.8 in.
- 2a. Minimum **angle mounting** bracket extension (up to 30°) to combustibles is 17.5 in.
3. Maximum mounting bracket extension is 20.5 in.

DISTRIBUTED BY:

