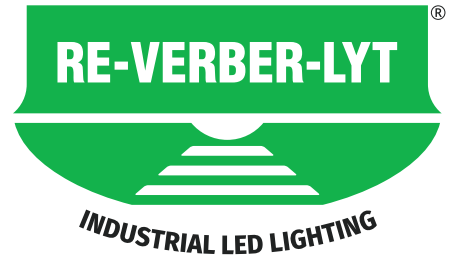


# LYTClassic Series A

Bay Light Fixture  
with Multiple LED Tubes



This easy installation fixture maximizes light output from multiple LED T8 lamps.

Eliminate warm up times and regular maintenance of fluorescent tubes and ballasts with our LYTClassic Series. They are an ideal replacement for fixtures in warehouses and industrial facilities. This fixture comes standard with a heavy duty housing and high performance reflector to maximize output.

## PRODUCT FEATURES

- Heavy duty constructed housing
- Maintenance free
- Save time and money on nonstandard installations
- Eliminates fluorescent lamp/ballast maintenance costs

## BENEFITS OF BAY FIXTURES

- Instant On - No Warm-Up Period
- Reduced Energy Consumption
- Long Life Expectancy
- Durability
- Flexibility
- Superior Light Quality
- High Efficiency

# LYTClassic Series A

## Bay Light Fixture With Multiple LED Tubes



Model Shown:  
LYTC-4A108

### Product Specifications



**Electrical:**  
Input Voltage: 110 to 277 VAC  
Input Frequency: 60 Hertz



**Mounting:**  
Suspended



**Photometric:**  
Lumen Range: 3,600 to 19,200  
Wattage Range: 24 to 132 Watts  
Color Temperature (CCT): 5,000K



**Housing:** 22 gauge, high gloss white enamel steel w/  
aluminum reflector



**Certifications:**  
UL, DLC listed LED tubes



**Lamp Life:**  
50,000 hours per LED T8 lamp  
Easily replaceable LED tubes



**Limited Warranty:**  
5 year

### Available LYTClassic Bay LED Lighting Models

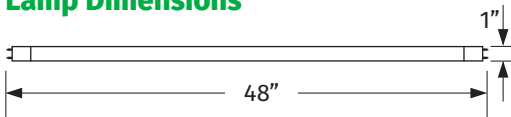
MODEL #	STYLE	TYP. MOUNTING HEIGHTS	LUMENS	WATTS @ 277VAC	LUMENS /WATT	CRI	BEAM ANGLE	WEIGHT	LENGTH	WIDTH
LYTC-4A036	Dual Lamp	10' to 18'	3,600	24	150	87	120°	5 lbs	48.0"	7.0"
LYTC-4A072	Four Lamp	12' to 19'	7,200	48	150	87	120°	14 lbs	48.0"	12.0"
LYTC-4A108	Six Lamp	13' to 20'	10,800	72	150	87	120°	16 lbs	48.0"	17.0"
LYTC-4A192	Six Lamp HO*	15' to 22'	19,200	132	145	87	120°	16 lbs	48.0"	17.0"

\* HO = High Output

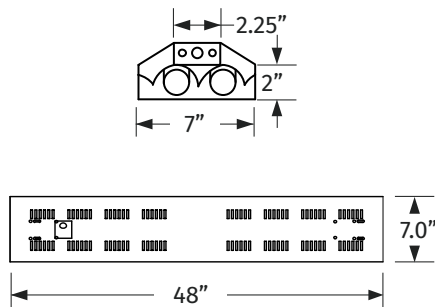
This Re-Verber-LYT LED lighting fixture must be installed correctly. The contractor, owner, installer, purchaser, and user is responsible for installing, maintaining, and operating the light fixture in compliance with all province and local laws, ordinances, regulations, and the American National Standards Institute (ANSI) Safety Code.

The validity of the product warranty is subject to the correct storage, installation, operation, and maintenance of this product. Failing to comply with proper storage, installation, operation, and maintenance routines will make the warranty invalid. Specifications subject to change without notice.

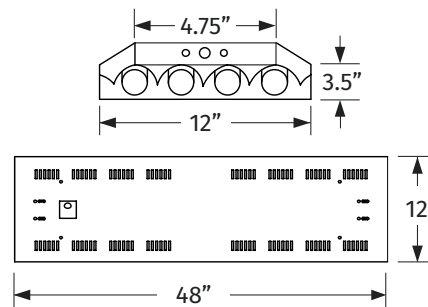
#### Lamp Dimensions



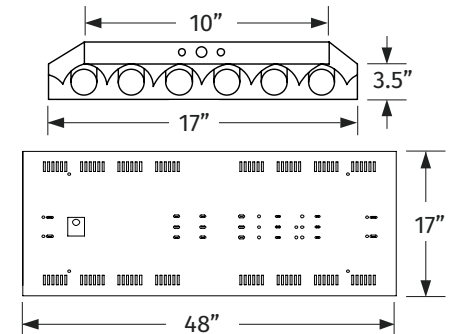
#### Dual Lamp Fixture Dimensions



#### Four Lamp Fixture Dimensions



#### Six Lamp Fixture Dimensions



34 Scott Avenue, Paris, Ontario N3L3R1 Canada  
519.442.7823 | sales@brantradiant.com

[www.REVERBERLYT.com](http://www.REVERBERLYT.com)



Form No. LBBCLA\_-0817 (BRH)

