

Brant Radiant Heaters, Ltd.

LS2 Series

Gas-Fired Infrared Tube Heater



WARNING: Improper installation, adjustment, alteration, service or maintenance can cause property damage, injury or death. Read the installation, operating and maintenance instructions thoroughly before installing or servicing this equipment.

AVERTISSEMENT: Une installation, un réglage, une modification, une réparation ou un entretien incorrect peut entraîner des dommages matériel, des blessures ou la mort. lisez attentivement les instructions d'installation, de fonctionnement et d'entretien avant de procéder à l'installation ou à l'entretien de cet équipement.

⚠ WARNING



This heater **must** be installed and serviced by trained gas installation and service personnel only. Failure to comply could result in personal injury, asphyxiation, death, fire or property damage.

Do not store or use gasoline or other flammable vapors and liquids in the vicinity of this or any other appliance.



In locations used for the storage of combustible materials, signs **must** be posted to specify the maximum permissible stacking height to maintain the required clearances from the heater to the combustibles. Signs must either be posted adjacent to the heater thermostats or in the absence of such thermostats, in a conspicuous location.



Do not use this heater in indoor living or sleeping quarters, etc.! Installation of a tube heater system in residential indoor living spaces may result in property damage, serious injury, asphyxiation or death.

⚠ AVERTISSEMENT



Ce réchauffeur doit être installé et entretenu par du personnel d'entretien et d'installation de gaz qualifié seulement. Le défaut de se conformer pourrait entraîner des blessures corporelles, une asphyxie, la mort, un incendie ou des dommages matériels.

Ne pas entreposer ni utiliser d'essence ou d'autres vapeurs et liquides inflammables à proximité de cet appareil ou de tout autre appareil



Dans les endroits utilisés pour l'entreposage des matières combustibles, des panneaux doivent être affichés pour préciser la hauteur maximale admissible de l'empilage afin de maintenir les dégagements requis du réchauffeur aux combustibles. Les panneaux doivent être affichés à proximité des thermostats de chauffage ou en l'absence de tels thermostats, dans un endroit bien en vue.



N'utilisez pas ce radiateur dans les salons d'intérieur ou de couchage, etc.! L'installation d'un système de chauffage des tubes dans les espaces résidentiels intérieurs peut causer des dommages matériels, des blessures graves, une asphyxie ou la mort.

For Your Safety

If you smell gas:

- Open windows.
- Do not touch electrical switches.
- Extinguish any open flame.
- Do not try to light any appliances.
- Immediately call your gas supplier from a neighbours phone.

Pour Votre Sécurité

Si vous sentez le gaz:

- Fenêtres ouvertes.
- Ne touchez pas d'échanges électriques.
- Éteignez n'importe quelle flamme ouverte.
- N'essayez pas d'éclairer d'appareils.
- Appelez immédiatement votre fournisseur de gaz d'a les voisins téléphonent.

INSTALLER: Present this manual to the end user. Keep these instructions in a clean and dry place for future reference.

Model#: _____ Serial #: _____
(located on rating label)

Contents

1.0 Introduction	4
Overview	4
Heater Components	4
Product Specifications	5
Safety Labels and Locations	6
2.0 Safety	8
Warning Symbols	8
Applications	8
Standards, Certifications and Government Regulations	9
Clearance to Combustibles	11
3.0 Installation	13
Design Considerations and Prechecks	13
Recommended Mounting Heights and Coverages	15
Hanger Placement and Suspension	16
Radiant Tube Assembly	20
Optional Elbow or U-Bend Accessory Configuration	21
Burner Control Box Suspension	23
Reflector Assembly	24
Baffle Assembly and Placement	26
Final Heater Assembly	27
Venting	28
Optional Unvented Operation	36
Gas Supply Installation Instructions	40
Leak Testing	45
Electrical Requirements	46
Thermostat	47
Wiring	48
Unit-Start-Up (Commissioning)	51
High Altitude Operation	52
4.0 Operation	53
Operating Instructions	53
Sequence of Operation	54
Diagnostics	55
5.0 Troubleshooting Guide	56
6.0 Maintenance	60
Routine Inspection	60
Heater Components and Parts List	62
7.0 Limited Warranty	64
8.0 Kit Contents Check List	66

1.0 Introduction

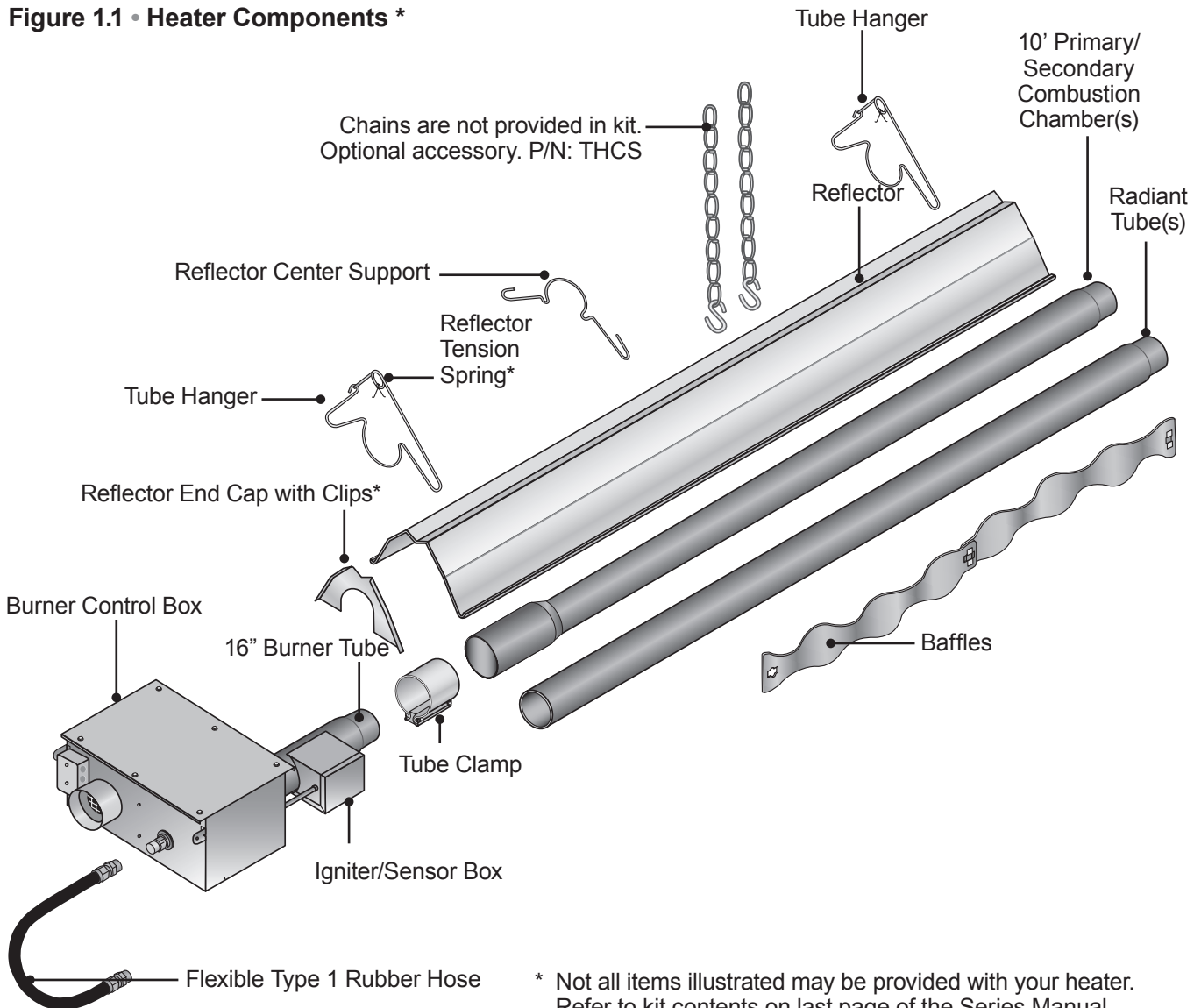
Overview

The intent of this manual is to provide information regarding general safety, installation, operation and maintenance of the tube heater. You must read, and understand, the instructions and safety warnings in this manual before installing the tube heater. Additional literature on this and other products is available at www.brantradiant.com.

Heater Components*

Prior to installation, verify that the heater's gas type and voltage (as listed on the rating plate) match that of your application. Also verify that you have received all heater contents included with your tube heater. Refer to the last page for a list of the kit contents for your model heater. Materials not included in the heater kit contents (e.g., screws, vent material, terminals, etc.) are the responsibility of the installer. Notify your product representative or Brant Radiant Heaters Ltd. of any discrepancy or missing kit contents prior to installing unit.

Figure 1.1 • Heater Components *



* Not all items illustrated may be provided with your heater. Refer to kit contents on last page of the Series Manual.

Product Specifications

Chart 1.1 • LS2 Series Specifications

Model Number	Gas Type (select one)	BTU/H	Straight Length	U-Tube Length	Standard Weight (lbs.)	Recommended Mounting Height**	Combustion Chamber (Black Coated)	Radiant Emitter Tube(s) (Black Coated)	Residential Certification^
LS2-10-25	N or Prop	25,000	12'-1"	N/A	70 lbs.	7' to 11'	Titan	Alum	Yes
LS2-10-30	N or Prop	30,000	12'-1"	N/A	70 lbs.	8' to 11'	Titan	Alum	Yes
LS2-10-40	N or Prop	40,000	12'-1"	N/A	70 lbs.	10' to 14'	Titan	Alum	No
LS2-15-40	N or Prop	40,000	16'-10"	N/A	85 lbs.	8' to 13'	Titan	Alum	Yes
LS2-15-50	N or Prop	50,000	16'-10"	N/A	85 lbs.	10' to 15'	Titan	Alum	No
LS2-20-40	N or Prop	40,000	21'-10"	13'-0"	100 lbs.	8' to 13'	Titan	Alum	Yes
LS2-20-50	N or Prop	50,000	21'-10"	13'-0"	100 lbs.	9' to 15'	Titan	Alum	No
LS2-30-50*	N or Prop	50,000	31'-7"	17'-8"	120 lbs.	9' to 14'	Titan	Alum	Yes

* Model requires DB-5EA-SUB optional accessory package when installing in a 'U' configuration (P/N: DB-TF1B).

** Recommended mounting heights are provided as a guideline. Actual conditions may dictate variations from this data. Optional protective guard (P/N: PG) is required when mounting below 8-ft.

^ Certified models may be installed in attached residential garages/workshops.

Titan = Black coated titanium stabilized aluminized steel.
 Alum = Black coated aluminized treated steel.

Safety Labels and Their Locations

Product safety signs or labels should be replaced by the product user when they no longer are legible. Contact either your local distributor or the product manufacturer for obtaining replacement signs or labels.

Back Panel

Rating Plate

1/2" Gas Connection
Refer to Installation Manual

Do not Rotate/ Gas Hose Label

Top Panel

Bottom Panel

Tube Safety Label
F/N: LLTCL001

F/N: LLLGO01 Logo Label

120V
- 120V HEATER INPUT -
F/N: LLV3EP1

RE-VERBER-RAY LOW INTENSITY INFRARED HEATER
RADIATEUR A INFRAROUGE A FAIBLE INTENSITE

FOR INDOOR INSTALLATION ONLY. NOT FOR USE IN RESIDENTIAL DWELLING.
INSTALLATION A L'EXTERIEUR SEULEMENT. NE PAS INSTALLER DANS UN LOGEMENT.

MODEL/MODELE NO. LS2-20-40N	INPUT BTU/H 40,000	FOR USE WITH NATURAL GAS
VOLTS A.C. 120-60HZ	MANIFOLD PRESSURE 3.5" WC	HEATER TYPE C1
STARTING AMPS. 4.8	MIN. INLET PRESSURE 5.0" WC	VERSION 1011
RUNNING AMPS. 1.1	ORIFICE # 1/8"	MIN. MOUNTING ANGLE: 0 DEGREES
COMBUSTION CHAMBER 4" to 3" BC TITANIUM	COMBUSTION TUBES IS UPGRADED TO 409 STAINLESS STEEL	MAX. MOUNTING ANGLE: 45 DEGREES

ANSI Z83.206 - 2011 CSA 2.206 - 2011 Low-Intensity Infrared Hr.
ANSI Z83.206 - 2011 CSA - 2011 Low-Intensity Infrared Hr.

BRANT RADIANT HEATERS LIMITED
34 SCOTT AVE., PARIS, ONTARIO
TEL: 1-519-442-7823 WWW.BRANTRADIANT.COM

SERIAL NO.
0870 XXXX XXXX 0001

INSTALLER
Avoid Equipment Failure.
Do Not Rotate Burner Assembly.
Évitez une défaillance d'équipement
Ne pas pivoter le groupe brûleur

Mount Level/ Monter de niveau

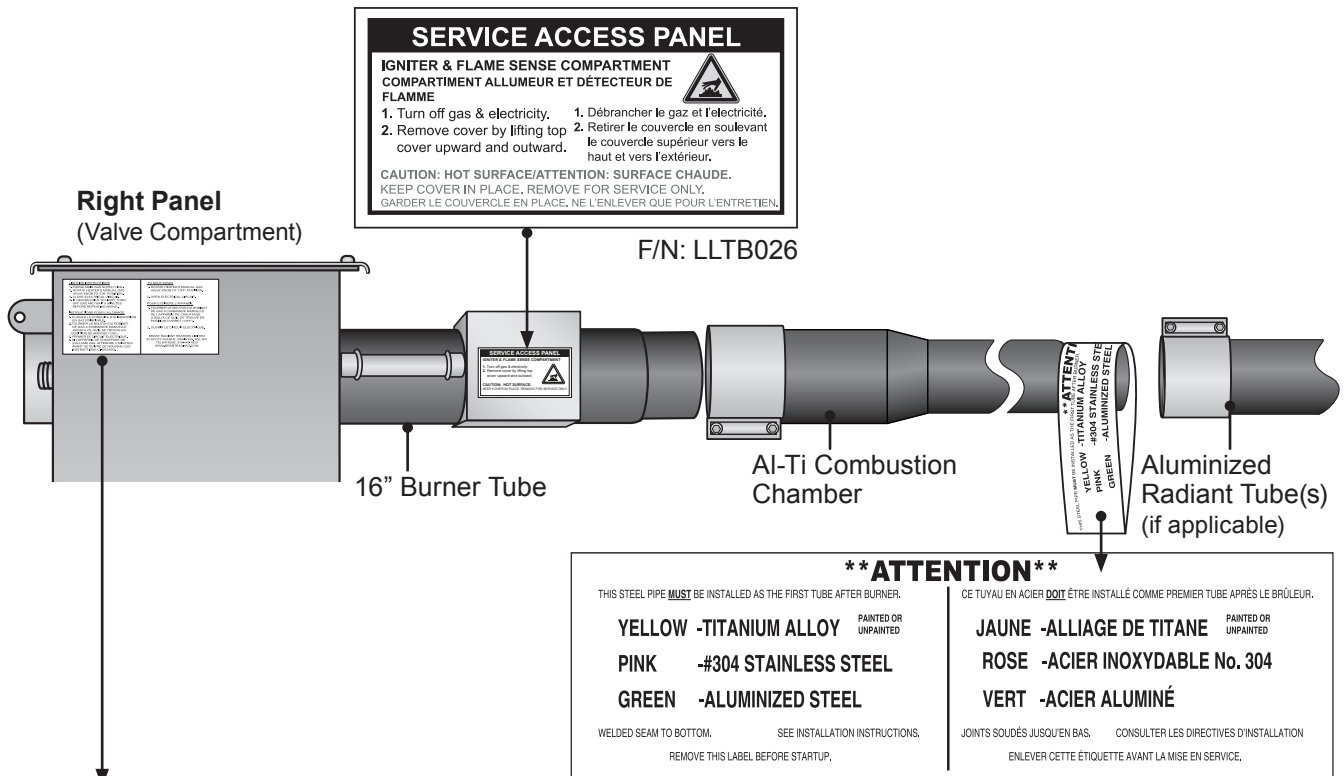
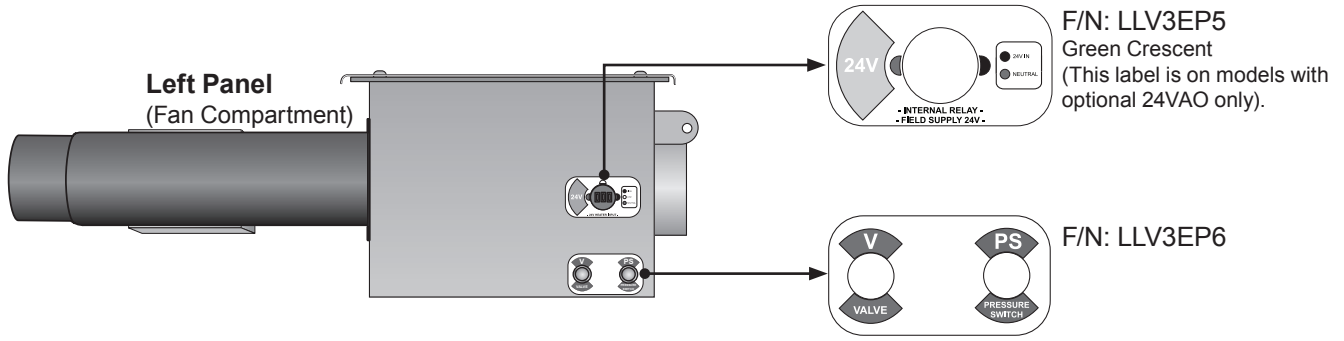
WARNING
Incorrect installation, adjustment, selection, service or maintenance can cause property damage, injury or death.
Une installation inadéquate, modification, maintenance défective, réglage ou décès.
Des réglages inadéquats peuvent causer des dommages matériels, des blessures ou la mort.

CAUTION
Heater must be installed and serviced by trained gas installation and service personnel only.
This is NOT an explosion-proof heater. While there is the possibility of exposure to flammable vapour or dust, consult the local fire authority, your vendor or authorities for approval of the proposed installation.
VENTING: This heater must be properly connected to a manufacturer's approved vent system.
WARNING: Operation of this heater, when not connected to a properly installed and maintained venting system, can result in carbon monoxide (CO) poisoning and possible death.
This heater requires FRESH COMBUSTION AIR for safe operation and must meet all provisions of the specific combustion and venting requirements.
GAS CONNECTION Allowances must be made for the system to expand. A flexible gas connection of approved type is required. The connector shall be Type 1 hose. Consult manual for further instructions.
WARNING: Connector must be installed in a "U" configuration. Use only the connector that was furnished with the heater.
Ce chargement doit être installé et entretenu par des installateurs de gaz et le personnel de service approprié.
Ce dispositif de chargement doit être installé et entretenu par du gaz licence d'installation et le personnel de service approprié.
L'installation. Ce chargement doit être correctement connecté à un fabricant agréé système d'évacuation.
AVERTISSEMENT: L'opération de ce chargement, lorsqu'il n'est pas connecté à un système d'évacuation approprié, peut causer des dommages matériels, des blessures ou la mort.
Ce dispositif de chargement exige une nouvelle air de combustion pour un fonctionnement sûr et une ventilation adéquate de la zone de combustion et les exigences de ventilation.
REQUISITION: Ce chauffage doit être installé par un installateur qualifié pour obtenir des instructions supplémentaires.
AVERTISSEMENT: Le connecteur doit être installé dans un "U" de configuration. Utilisez uniquement le connecteur qui était livré avec le chargement.
Read and understand the installation, operating and maintenance instructions thoroughly before installing or servicing the equipment.
Lire et comprendre les directives d'installation, de fonctionnement et d'entretien avant d'installer ou d'entretenir cet équipement.

DANGER
FIRE HAZARD Always maintain unobstructed clearance to combustibles. In locations used for the storage of combustible materials, signs must be posted. Consult manual for additional guidelines.
RISQUE D'INCENDIE: Toujours respecter les délimitations prescrites de tout matériau combustible. Dans les endroits servant au stockage de matériaux combustibles, des signaux doivent être affichés. Se référer au manuel pour des directives supplémentaires.

MODEL NUMBER (LENGTH) - MIN	MOUNTING ANGLE		SIDE		TOP		BELOW	
	45°	90°	45°	90°	45°	90°	45°	90°
LS2 (16,16) - 25	0"	8 (20)	8 (20)	4 (10)	26 (67)	26 (67)	26 (67)	26 (67)
LS2 (16,16) - 30	0"	20 (51)	8 (20)	10 (25)	36 (91)	36 (91)	36 (91)	36 (91)
with 1 hose shroud	0"	20 (51)	8 (20)	4 (10)	36 (91)	36 (91)	36 (91)	36 (91)
with 2 hose shroud	0"	20 (51)	8 (20)	4 (10)	36 (91)	36 (91)	36 (91)	36 (91)
40,000 BTU/H MODELS								
LS2LZ (10,15,20) - 40	0"	15 (38)	15 (38)	6 (15)	45 (114)	45 (114)	45 (114)	45 (114)
with 1 hose shroud	0"	58 (147)	8 (20)	10 (25)	45 (114)	45 (114)	45 (114)	45 (114)
with 2 hose shroud	0"	42 (107)	8 (20)	6 (15)	45 (114)	45 (114)	45 (114)	45 (114)
with 2 hose shroud	0"	20 (51)	10 (25)	6 (15)	45 (114)	45 (114)	45 (114)	45 (114)
with 20 psi burner	0"	20 (51)	10 (25)	6 (15)	45 (114)	45 (114)	45 (114)	45 (114)
60,000 BTU/H MODELS								
LS2LZ (15,20,30) - 60	0"	11 (28)	11 (28)	8 (15)	48 (122)	48 (122)	48 (122)	48 (122)
with 1 hose shroud	0"	30 (76)	8 (20)	10 (25)	48 (122)	48 (122)	48 (122)	48 (122)
with 2 hose shroud	0"	15 (41)	15 (41)	6 (15)	48 (122)	48 (122)	48 (122)	48 (122)
with 20 psi burner	0"	7 (18)	7 (18)	6 (15)	30 (76)	30 (76)	30 (76)	30 (76)

SAFETY INSTRUCTIONS
A. This appliance does not have a pilot. It requires an ignition system and a gas control valve to operate. Do not attempt to light the burner by hand.
B. Before operating, smell all around the appliance area for gas. Be sure to smell not the floor because some gases are heavier than air and will settle to the floor.
C. Do not use any open flame. Do not try to light any appliance. Do not touch any electrical switch. Do not use any phone in the building.
D. Do not use the appliance if you smell gas. If you smell gas, shut off the gas supply from a neighborhood gas company. Follow gas supplier's instructions.
E. Use only pipe that has been listed for use with this appliance.
F. Do not use the appliance if you smell gas. Do not use the appliance if you smell gas.
G. Do not use the appliance if you smell gas. Do not use the appliance if you smell gas.
H. Do not use the appliance if you smell gas. Do not use the appliance if you smell gas.
I. Do not use the appliance if you smell gas. Do not use the appliance if you smell gas.
J. Do not use the appliance if you smell gas. Do not use the appliance if you smell gas.
K. Do not use the appliance if you smell gas. Do not use the appliance if you smell gas.
L. Do not use the appliance if you smell gas. Do not use the appliance if you smell gas.
M. Do not use the appliance if you smell gas. Do not use the appliance if you smell gas.
N. Do not use the appliance if you smell gas. Do not use the appliance if you smell gas.
O. Do not use the appliance if you smell gas. Do not use the appliance if you smell gas.
P. Do not use the appliance if you smell gas. Do not use the appliance if you smell gas.
Q. Do not use the appliance if you smell gas. Do not use the appliance if you smell gas.
R. Do not use the appliance if you smell gas. Do not use the appliance if you smell gas.
S. Do not use the appliance if you smell gas. Do not use the appliance if you smell gas.
T. Do not use the appliance if you smell gas. Do not use the appliance if you smell gas.
U. Do not use the appliance if you smell gas. Do not use the appliance if you smell gas.
V. Do not use the appliance if you smell gas. Do not use the appliance if you smell gas.
W. Do not use the appliance if you smell gas. Do not use the appliance if you smell gas.
X. Do not use the appliance if you smell gas. Do not use the appliance if you smell gas.
Y. Do not use the appliance if you smell gas. Do not use the appliance if you smell gas.
Z. Do not use the appliance if you smell gas. Do not use the appliance if you smell gas.



Yellow Titanium Alloy Tag

<p>LIGHTING INSTRUCTIONS</p> <ol style="list-style-type: none"> PURGE MAIN GAS SUPPLY LINE. ROTATE HEATER'S MANUAL GAS VALVE KNOB TO "ON" POSITION. CLOSE ELECTRICAL CIRCUIT. IF HEATER FAILS TO LIGHT, TURN OFF GAS AND WAIT 5 MINUTES BEFORE REPEATING ABOVE. <p>INSTRUCTIONS POUR L'ALLUMAGE</p> <ol style="list-style-type: none"> PURGER LA CONDUITE D'ALIMENTATION EN GAZ PRINCIPALE. TOURNER LE BOUTON DU ROBINET DE GAZ A COMMANDE MANUELLE JUSQU'A CE QU'IL SE TROUVE EN POSITION DE MARCHÉ ("ON") FERMER LE CIRCUIT ELECTRIQUE. SI L'APPAREIL DE CHAUFFAGE NE S'ALLUME PAS, ATTENDRE 5 MINUTES AVANT DE SUIVRE DE NOUVEAU LES INSTRUCTIONS CI-DESSUS. 	<p>TO SHUT DOWN</p> <ol style="list-style-type: none"> ROTATE HEATER'S MANUAL GAS VALVE KNOB TO "OFF" POSITION. OPEN ELECTRICAL CIRCUIT. <p>POUR ETEINDRE L'APPAREIL</p> <ol style="list-style-type: none"> TOURNER LE BOUTON DU ROBINET DE GAZ A COMMANDE MANUELLE DE L'APPAREIL DE CHAUFFAGE JUSQU'A CE QU'IL DE TROUVE EN POSITION D'ARRÊT ("OFF"). OUVRIER LE CIRCUIT ELECTRIQUE. <p>BRANT RADIANT HEATERS LIMITED 34 SCOTT AVENUE, PARIS ON, N3L 3R1 TELEPHONE: 519-442-7823 WWW.BRANTRADIANT.COM</p>
---	--

Lighting /Shut Down Instructions Label

2.0 Safety

⚠ WARNING



This heater must be installed and serviced by a trained gas installation and service personnel only! Improper installation, adjustment, alteration, service or maintenance can cause property damage, serious injury or death. Read and understand the installation, operating and maintenance instructions thoroughly before installing or servicing this equipment.

Warning Symbols

Safety is the most important consideration during installation, operation and maintenance of the tube heater. You will see the following symbols and signal words when there is a hazard related to safety or property damage.

⚠ WARNING

Warning indicates a potentially hazardous situation which, if not avoided, could result in death or injury.

⚠ CAUTION

Caution indicates a potentially hazardous situation which, if not avoided, could result in minor or moderate injury.

NOTICE

Notice indicates a potentially hazardous situation which, if not avoided, could result in property damage.

Applications

This is **not** an explosion proof heater. No tube heater may be used in a Class 1 or Class 2 Explosive Environment. Consult your local fire Marshall, insurance carrier and other authorities for approval if the proposed installation is in question.

Commercial / Industrial

Unless otherwise indicated, tube heaters are designed and certified for use in industrial and commercial buildings, such as warehouses, manufacturing plants, aircraft hangars and vehicle maintenance shops. For maximum safety the building must be evaluated for potential problems before installing the heating system. A critical safety factor to consider before installation is the clearance to combustibles.

Residential Applications

Only select LS2 Series models are Design Certified under CSA Requirements for residential radiant tube heaters. Not for use in the residential indoor living areas or sleeping quarters.

⚠ WARNING

Not For Use in Indoor Living Spaces. Installing this unit in residential indoor living spaces or sleeping quarters, such as bedrooms or basements, may result in property damage, serious injury or death.

Standards, Certifications and Government Regulations

Installation of this tube heater must comply with all applicable local, state and national specifications, regulations and building codes. Contact the local building inspector and/or fire marshall for guidance.

In the absence of local codes, the installation must conform to the latest edition of:

United States: National Fuel Gas Code, ANSI Z223.1 (NFPA 54).

Canada: CAN/CGA B149.1-10, Canadian Electrical Code C22.1

Chart 2.1 • Standards and Code Installation Guidelines • Building Type

Building Type	Codes and Guidelines
<p>Public Garages</p>	<p>Installation of this tube heater in public garages must conform to the following codes:</p> <p>United States: Standard for Parking Structures NFPA 88A (latest edition) or the Code for Motor Fuel Dispensing Facilities and Repair Garages NFPA 30A (latest edition).</p> <p>Canada: Refer to CAN/CGA B149.1-10: Installation Codes for Gas Burning Appliances and applicable Standards for Public Garages.</p> <p>Guidelines:</p> <ul style="list-style-type: none"> • Heaters must not be installed less than 8 ft. (2.4 m) above the floor. Minimum clearances to combustibles must be maintained from vehicles parked below the heater. • When installed over hoists, minimum clearances to combustibles must be maintained from the upper most point of objects on the hoist.
<p>Aircraft Hangars</p>	<p>Installation of this tube heater in aircraft hangars must be in accordance with the following codes:</p> <p>United States: Refer to Standard for Aircraft Hangars, ANSI/NFPA 409 (latest edition).</p> <p>In Canada: Refer to Standard CAN/CGA B149.1-10 and applicable Standards for Aircraft Hangars.</p> <p>Guidelines:</p> <ul style="list-style-type: none"> • In aircraft storage and servicing areas, heaters shall be installed at least 10 ft. (3 m) from above the upper surface of wings or of the engine enclosures of the highest aircraft that may be housed in the hangar. The measurement shall be made from the wing or engine enclosure, whichever is higher from the floor, to the bottom of the heater. • In areas adjoining the aircraft storage area (e.g., shops, offices) the bottom of heaters shall be installed no less than 8 ft. (2.4 m) above the floor. • Suspended or elevated heaters shall be located in spaces where they shall not be subject to damage by aircraft, cranes, movable scaffolding or other objects. <p>Provisions shall be made to assure accessibility to suspended tube heaters for recurrent maintenance purposes.</p>

Chart 2.2 • Standards and Code Installation Guidelines • Building Location

Building Location	Guidelines
High Altitude	<p>Guidelines:</p> <p>Installation of this tube heater is approved, without modifications, for elevations up to 6,000 feet (1,829 m) MSL (sea level) in the United States. Contact the factory for installations above these elevations.</p> <p>The type of gas appearing on the nameplate must be the type of gas used. Installation must comply with national and local codes and requirements of the local gas company.</p>
Non-Standard BTU Gas	<p>Guidelines:</p> <p>Unless otherwise noted on the rating plate, this infrared heater is designed and orificed to operate on standard BTU gas. Contact the factory if utilizing non-standard BTU gas.</p>

Chart 2.3 • Standards and Code Installation Guidelines • Building Aspect

Building Aspect	Codes and Guidelines
Electrical	<p>The tube heater must be electrically grounded in accordance with the following codes:</p> <p style="padding-left: 40px;">United States: Refer to National Electrical Code®, ANSI/NFPA 70 (latest edition). Wiring must conform to the latest edition of National Electrical Code®, local ordinances, and any special diagrams furnished.</p> <p style="padding-left: 40px;">Canada: Refer to Canadian Electrical Code CSA C22.1 Part 1 (latest edition).</p>
Venting	<p>Venting must be installed in accordance with the requirements within this manual and the following codes:</p> <p style="padding-left: 40px;">United States: Refer to NFPA 54/ANSI Z223.1 (latest edition), National Fuel Gas Code.</p> <p style="padding-left: 40px;">Canada: Refer to CAN/CGA B149.1 Installation Codes for Gas Burning Appliances.</p>

Applicable authorities governing the manufacturing or installation of this infrared heater include (but are not limited to) the following organizations:

- NFPA - National Fire Protection Association.
- ANSI Z83.20b - American National Standards Institute.
- NFPA 54/ANSI Z223.1 - National Fuel Gas Code.
- CSA - Canadian Standards Association.
- OSHA - Occupational Safety & Health Administration.
- IAS - International Approval Services.
- AGA - American Gas Association.
- IRSC- Infrared Heater Safety Council.

Clearance to Combustibles

⚠ WARNING



Placement of explosive objects, flammable objects, liquids and vapors close to the heater may result in explosion, fire, property damage, serious injury or death. Do not store or use explosive objects, liquids and vapor in the vicinity of the heater.

Hazards:

For maximum safety the building must be evaluated for hazards before installing the heating system. Examples of hazards include, but are not limited to:

- Gas and electrical lines
- Combustible and explosive materials
- Chemical storage areas
- Areas of high chemical fume concentrations
- Provisions for accessibility to the heater
- Adequate clearances around air openings
- Combustion and ventilating air supply
- Vehicle parking areas
- Vehicles with lifts or cranes
- Storage areas with stacked materials
- Lights
- Sprinkler heads
- Overhead doors and tracks
- Dirty, contaminated environment

If you are unsure of the potential hazards, consult your local fire Marshall, fire insurance carrier or other qualified authorities on the installation of gas fired tube heaters for approval of the proposed installation.

A critical safety factor to consider before installation is the clearances to combustibles. **Clearance to combustibles** is defined as *the minimum distance you must have between the tube surface, or reflector, and the combustible item*. Considerations must also be made for moving objects around the tube heater. The following is a partial list of items to maintain clearances from:

Combustible items:

- Wood
- Paper
- Fabric
- Chemicals
- Paint
- Parked vehicles
- Gasoline
- Storage racks

Moving Objects:

- Overhead doors
- Vehicle lifts
- Cranes
- Hoists

Safety Signs and Labels

It is important to provide warnings to alert individuals to potential hazards and safety actions. ANSI Z83.20b and CSA 2.34 require you to post a sign “specifying the maximum permissible stacking height to maintain the required clearances from the heater to the combustibles” near the heaters thermostat or in absence of such thermostats in a conspicuous location. Contact Brant Radiant Heaters Ltd. or an authorized dealer for Clearance Safety Limit Signs(P/N: BR-SIGN).

Safety warning labels must be maintained on the tube heater. Illustrations of the safety labels, and their locations, are pictured in the Series Manual. In locations used for the storage of combustible materials, signs must be posted to specify the maximum permissible stacking height to maintain the required clearances from the heater to combustibles. Signs must either be posted adjacent to the heater thermostats or in the absence of such thermostats in a conspicuous location.

⚠ CAUTION

Children and adults should be alerted to the hazards of high surface temperatures and should stay away to avoid burns or clothing ignition.

Young children should be carefully supervised when they are in the same space as the heater.

Clothing or other flammable materials should not be hung from the heater, or placed on or near the heater.

Any guard or other protective device removed for servicing the heater must be replaced prior to operating the heater.

Installation and repair should be done by a qualified service person. The heater should be inspected before use and at least annually by a qualified service person. More frequent cleaning may be required as necessary. It is imperative that the control compartment, air passageways and burner(s) of the heater be kept clean.

When installing the tube heater system, clearances to combustibles for the model tube heater and configuration must be maintained. Refer to Chart 2.4 below to determine the required distances for your model.

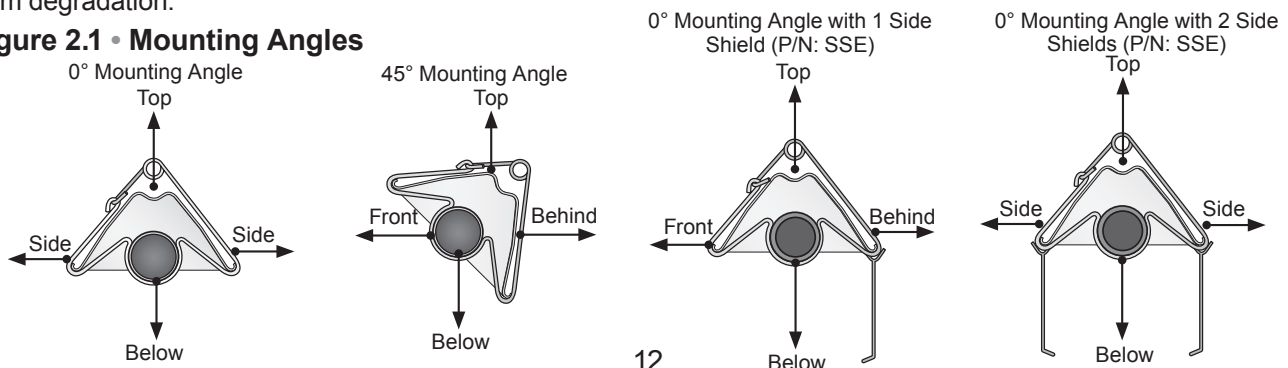
Chart 2.4 • Clearance to Combustibles in Inches (cm) (see figure 2.1 for Mounting Angles)

Model Number	Mounting Angle*	Sides			
		Front	Behind	Top	Below
LS2 (10) - 25, 30 [N, P] with 1 side shield with 2 side shields 20 ft. from burner	0°	8 (21)	8 (21)	4 (10)	36 (91)
	45°	39 (99)	8 (21)	10 (25)	36 (91)
	0°	29 (74)	8 (21)	4 (10)	36 (91)
	0°	9 (23)	9 (23)	4 (10)	36 (91)
	0°	N/A	N/A	N/A	N/A
LS2 (10, 15, 20) - 40 [N, P] with 1 side shield with 2 side shields 20 ft. from burner	0°	15 (38)	15 (38)	6 (15)	45 (114)
	45°	58 (147)	8 (21)	10 (25)	45 (114)
	0°	42 (107)	8 (21)	6 (15)	45 (114)
	0°	20 (51)	20 (51)	6 (15)	45 (114)
	0°	N/A	N/A	N/A	N/A
LS2 (15) - 50 [N, P] with 1 side shield with 2 side shields 20 ft. from burner	0°	11 (28)	11 (28)	6 (15)	48 (122)
	45°	39 (99)	8 (21)	10 (25)	48 (122)
	0°	29 (74)	8 (21)	6 (15)	48 (122)
	0°	16 (41)	16 (41)	6 (15)	48 (122)
	0°	N/A	N/A	N/A	N/A
LS2 (20, 30) - 50 [N, P] with 1 side shield with 2 side shields 20 ft. from burner	0°	11 (28)	11 (28)	6 (15)	48 (122)
	45°	39 (99)	8 (21)	10 (25)	48 (122)
	0°	29 (74)	8 (21)	6 (15)	48 (122)
	0°	16 (41)	16 (41)	6 (15)	48 (122)
	0°	7 (18)	7 (18)	6 (15)	30 (76)

* Heaters mounted on an angle between 0° to 45° must maintain clearances posted for 0° or 45°; whichever is greater. **NOTE:** Use high BTU output when determining clearances. The minimum end clearance is 12 in.

The stated clearances to combustibles represents a surface temperature of 90°F (50°C) above room temperature. Building materials with a low heat tolerance (such as plastics, vinyl siding, canvas, tri-ply, etc.) may be subject to degradation at lower temperatures. It is the installer's responsibility to ensure that adjacent materials are protected from degradation.

Figure 2.1 • Mounting Angles



3.0 Installation

⚠ WARNING



Improper installation, adjustment, alteration, service or maintenance can cause property damage, serious injury or death.

Read and understand, the installation, operating and maintenance instructions thoroughly before installing or servicing this equipment.

Only trained, qualified gas installation and service personnel may install or service this equipment.

Design Considerations and Prechecks

Placement of infrared heaters is influenced by many factors. Aside from safety factors, considerations such as the number of heater or vent elbows that are allowed, maximum vent lengths, ducting of combustion air and combining exhaust vents are a few examples. This installation manual, along with national, provincial and local codes address these issues. It is critical that you read, understand and follow all guidelines and instructions.

To ensure a properly designed heating system, a layout should be developed for the correct placement of the burner control box, tubes, vents and combustion air intake ducts. Inspect and evaluate the mounting conditions, vent locations, gas supply and wiring.

When designing an infrared radiant heating system, consider the following:

- Has the building's heat loss been evaluated?
- Does the design meet the needs of the space?
- Have recommended mounting heights been observed?
- Have all clearance to combustibles situations been observed?
- Is the supply (burner) end of the heater located where more heat is required?
- Is it best to offset the heaters and/or rotate the reflectors towards the heat zone?
- Are extra guards, side shields, 'U' or 'L' reflector covers required?
- Does the heater require outside fresh air for combustion?
- Is the environment harsh or contaminated (requiring outside air for combustion)?
- Are chemicals or vapors a concern (requiring outside air for combustion or additional ventilation)?

IMPORTANT: Fire sprinkler heads must be located at an appropriate distance from the heater to avoid an inadvertent discharge. This distance may exceed the published clearance to combustibles. Certain applications may require the use of high temperature sprinkler heads or the relocation of the heaters.

⚠ CAUTION

Fire sprinkler systems containing propylene glycol, antifreeze or other potentially flammable substances shall not to be used in conjunction with this heater without careful consideration for and avoidance of inadvertent discharge hazards. For further information consult NFPA 13. Always observe applicable provinces and local codes.



This page was intentionally left blank.

Chart 3.1 • Recommended Mounting Heights and Coverages

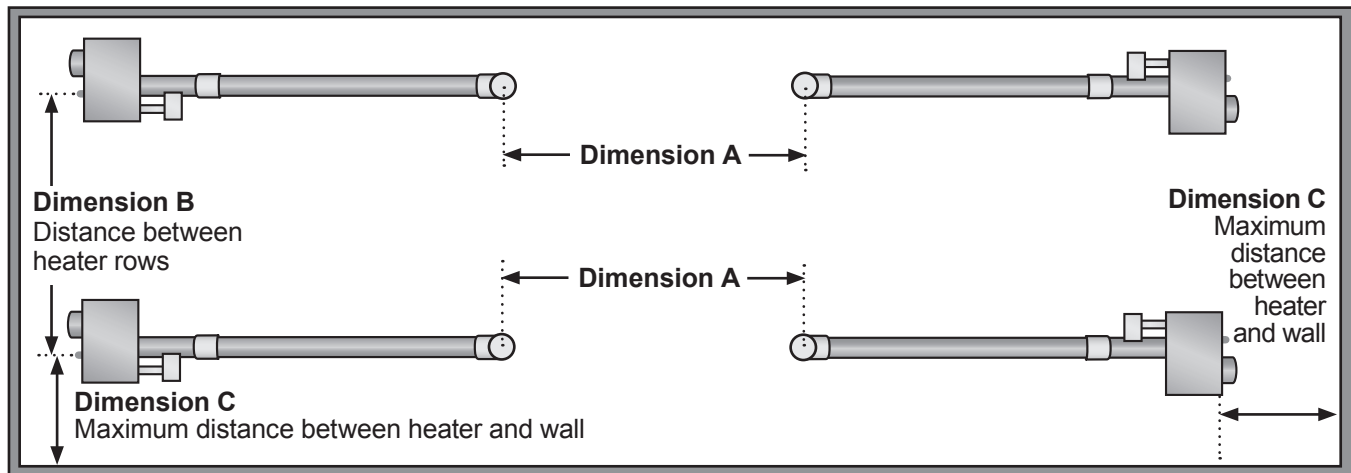
Note: This chart is provided as a guideline. Actual conditions may dictate variation from this data.

Model	BTU/H Output	Recommended Mounting Height (ft.)*	Coverage Area Straight Config. (LxW)	Coverage Area U-Tube Config. (LxW)	Distance Between Heaters (ft.) Dimension A	Distance Between Heater Rows (ft.) Dimension B	Maximum Distance Between Heaters and Wall (ft.) Dimension C
10 ft.	25,000	8' - 11'	20' x 12'	N/A	10' - 20'	20' - 40'	16'
	30,000	8' - 11'	20' x 12'	N/A	10' - 20'	20' - 40'	16'
	40,000	10' - 14'	20' x 12'	N/A	10' - 20'	20' - 40'	16'
15 ft.	40,000	8' - 13'	20' x 12'	N/A	10' - 20'	20' - 40'	16'
	50,000	10' - 15'	22' x 15'	N/A	20' - 30'	30' - 50'	18'
20 ft.	40,000	8' - 13'	20' x 13'	12' x 12'	10' - 20'	20' - 40'	16'
	50,000	9' - 15'	22' x 15'	12' x 12'	20' - 30'	30' - 50'	18'
30 ft.	50,000	9' - 14'	32' x 15'	15' x 15'	20' - 30'	30' - 50'	18'

Factory recommended mounting heights are listed as a guideline. If infrared heaters are mounted to low or to high, they may result in discomfort or lack of heat. Brant Radiant Heaters Limited generally recommends observing the recommended mounting heights to optimize comfort conditions. However, certain applications such as spot heating, freeze protection, outdoor patio heating or very high ceilings may result in the heaters being mounted outside of the factory recommended mounting heights.

* Optional protective guard (P/N: PG) is required when mounting below 8-ft.

Figure 3.1 • Mounting Height Dimensions • see chart 3.1 for dimensions



Note: Dimensions A, B & C are based upon heaters hung at the factory recommended mounting height.

Hanger Placement and Suspension

⚠ WARNING



Improper suspension of the tube heater may result in collapse and being crushed. Always suspend from a permanent part of the building structure that can evenly support the total force and weight of the heater.



Failure to maintain minimum clearance to combustibles may result in fire and/or explosion, property damage, serious injury or death. Always maintain minimum clearances and post clearance safety limit signs or the clearance safety tag where needed.

Suspension of the heater must conform to applicable codes referenced in the Safety section and these instructions.

- ① Lay all radiant tubing out in the following order. Position tubes in approximate location (see Figures 3.2 and 3.14).
 - 10 ft. 4" to 3" O.D. titanium treated combustion chamber (TP-1088).
 - 3" O.D. aluminized radiant emitter tube(s) if applicable.
- ② Connect the female end of the titanium combustion chamber (TP-1088) to the 16" burner tube by using the 4" stainless steel tube clamp (TP-220).

Important! The 10 ft. 4" to 3" O.D. titanium alloy treated combustion chamber must be placed as the first tube downstream of the burner control box. The combustion chamber has an orange identification sticker located on the swaged end of the tube.

- ③ Place a 3" tube hanger (TP-1079) after the tapered titanium combustion chamber's 4" O.D. end. The spacing between the burner control box mounting brackets and the 3" tube hanger should be 28".
- ④ Mark locations for hanging points.

NOTE: If the available hanging points do not allow for the recommended spacing then additional hangers (P/N: TP-1079) may be necessary.

- The spacing between the burner control box mounting brackets and the first hanger should be approximately 2'-4".
- The space between the first two hangers placed on the first tube, should be approximately 8'-10".
- The space between hangers thereafter, one per tube, should be approximately 9'-8".

Figure 3.2 • Heater Mounting Layout

NOTE: A sticker identifying the titanium treated combustion chamber(s) is located on the swaged end of the tube(s).

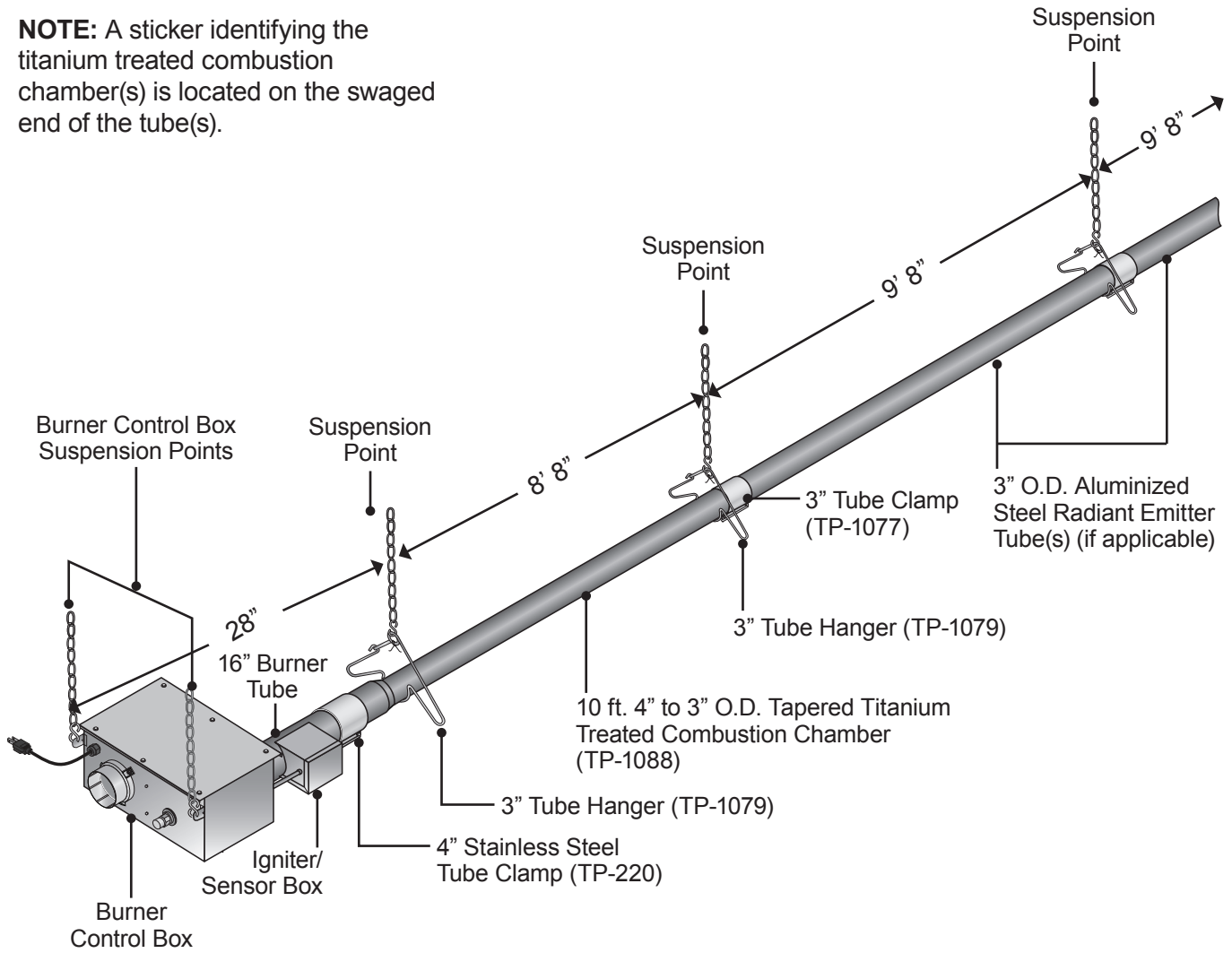


Chart 3.2 • Heater Mounting Requirements and Weights

Model	Dimension* Straight Configuration	Suspension Points	Control Box Stabilizer	Shipping Weight	Chain Set Qty. Straight	Chain Set Qty. w/TF1B	Optional Brass Knuckle (P/N: BK)	Optional Single Mount Bracket
10 ft.	12'-1" / 145"	2	2	70 lbs.	4	5	2	1
15 ft.	16'-10" / 202"	2	2	85 lbs.	5	6	3	N/A
20 ft.	21'-10" / 262"	3	2	100 lbs.	5	6	3	2
30 ft.	31'-7" / 379"	4	2	120 lbs.	6	7	4	N/A

* Refer to page 22 for U-bend configuration dimensions.

- ③ Prepare mounting surface, if necessary weld blocks, drill holes (see figure 3.5).
NOTE: The burner control box and radiant tubes should be in straight alignment and level.
- ④ Fasten beam clamp, screw hook or other type of suspension anchor to hanging point.
- ⑤ Attach and close S-hook (P/N: S-HOOK) and #1 double-loop chain (P/N: THCS) to anchor. Check that it is securely attached. **NOTE:** Threaded rod and turnbuckles may be used.
- ⑥ Attach hangers to chains. Adjust chain lengths until radiant tubing is level and equal weight distribution is achieved. Chains must be straight up and down. Do not install chains at an angle as this can result in tube warpage or separation.

Figure 3.3 • Mounting the Hangers

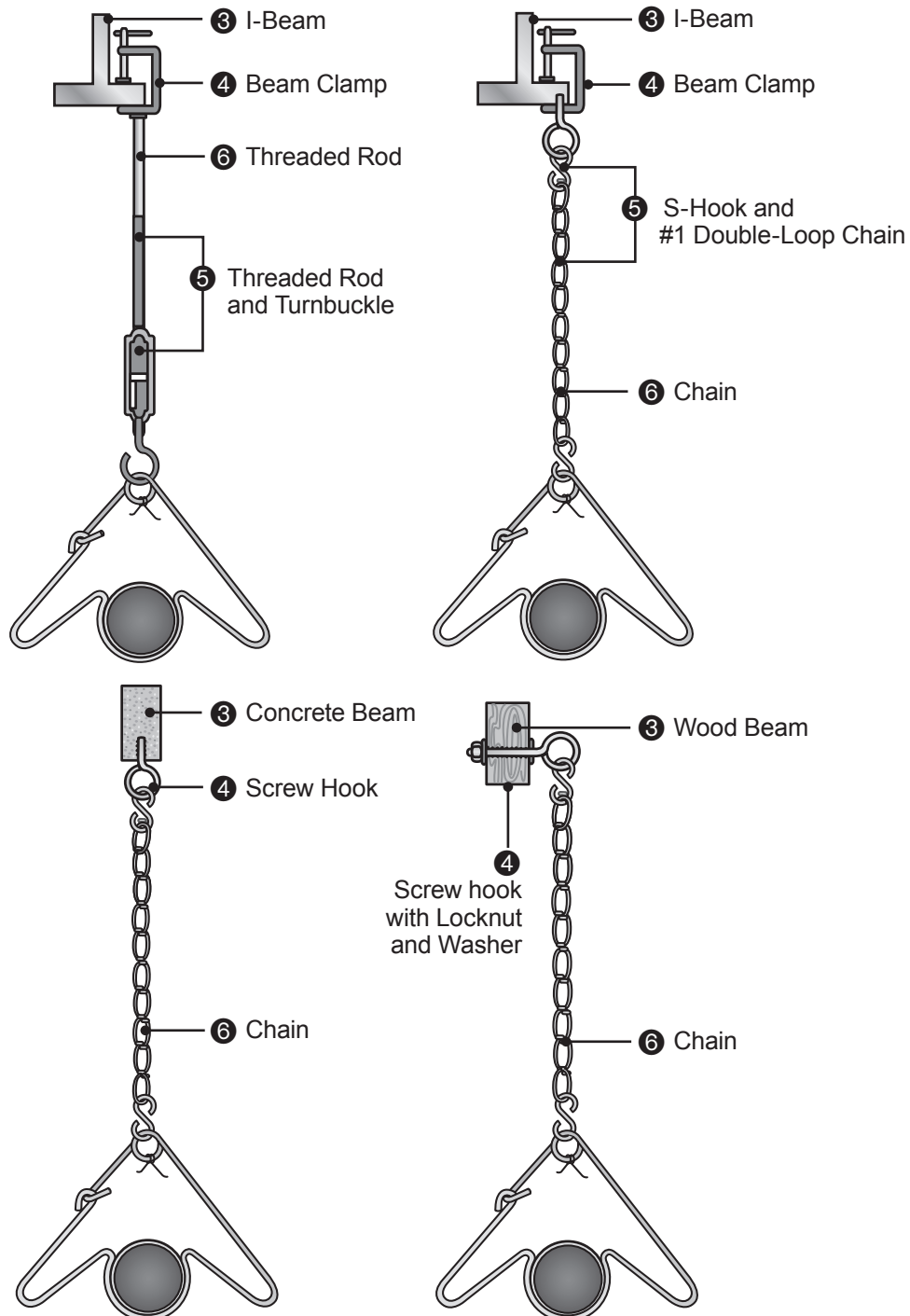
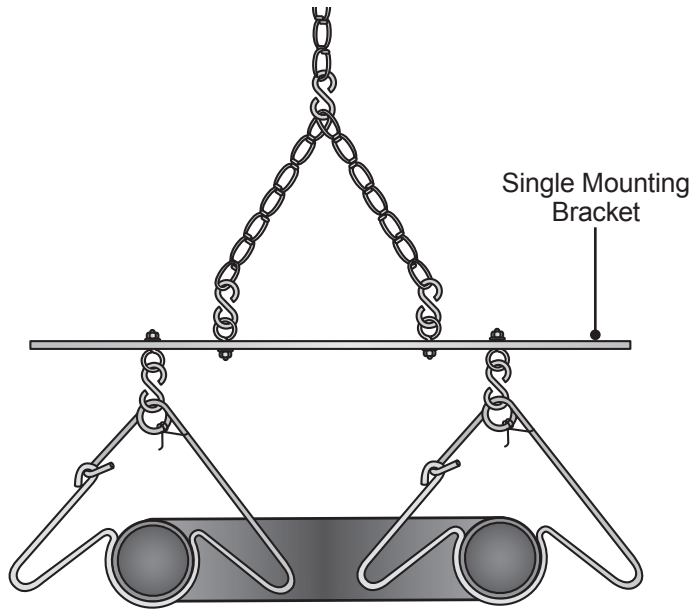
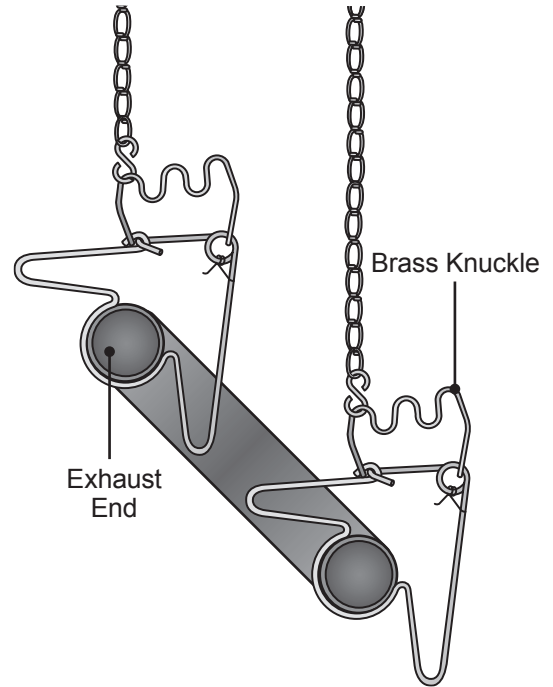


Figure 3.4 • U-Tube Hanger Mounting Options

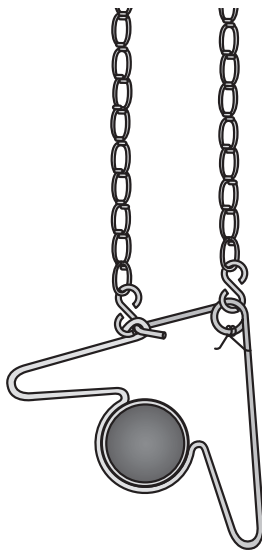


U-Tubes can be mounted from a single suspension point using an optional Single Mounting Bracket (P/N: SMB) with five S-hooks and #1 double-loop chains.

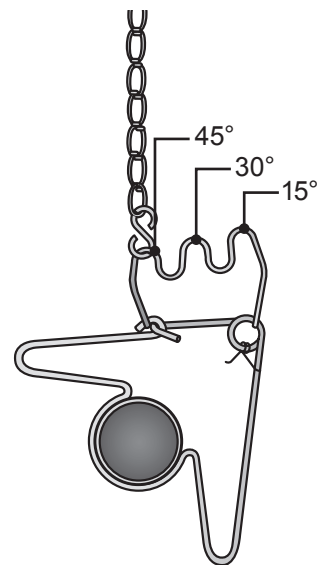


U-Tubes can be mounted at a 15, 30 or 45 degree angle with two suspension points, using two optional Brass Knuckle (P/N: BK) fittings, #1 double-loop chains and S-hooks.

Figure 3.5 • Angled Hanger Mounting Options



For 45 degree hanging angle use two S-hooks and two #1 double-loop chains.



For variety of hanging angles, use an optional Brass Knuckle (P/N: BK) fitting with a #1 double-loop chain and S-hook.

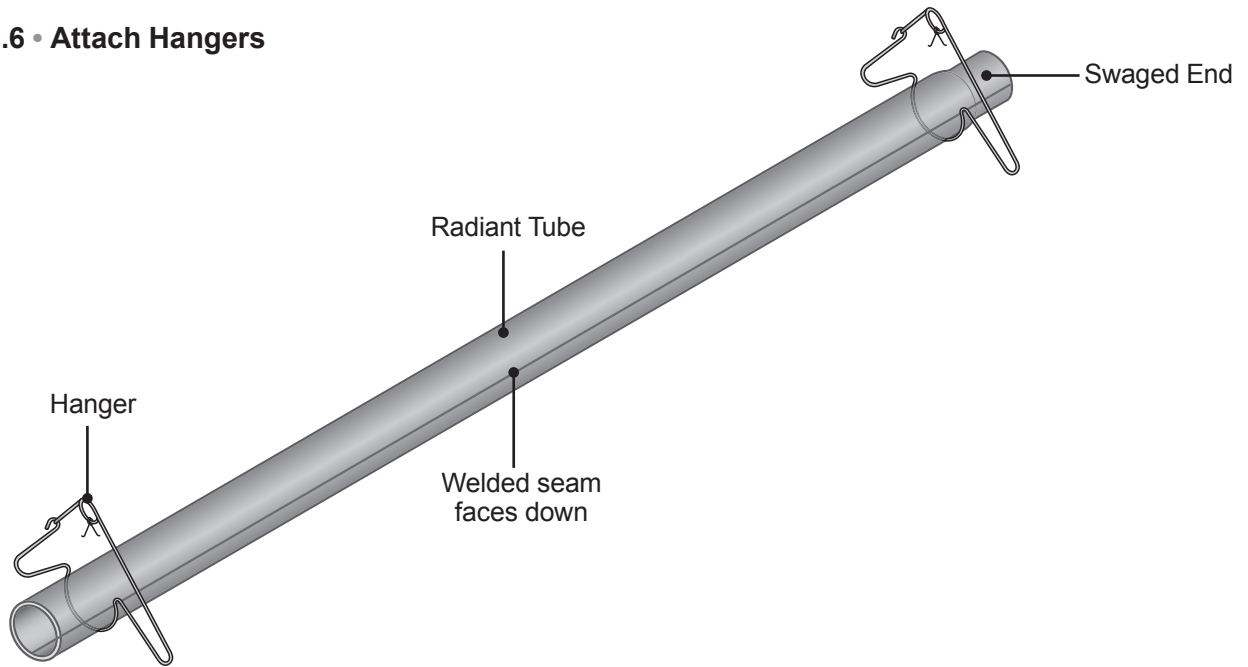
Radiant Tube Assembly

To install the radiant tubes:

- 1 Place tubes in hangers with the welded seam facing downward and the swaged end of the tube towards the exhaust end of the heater system (see Figure 3.8).

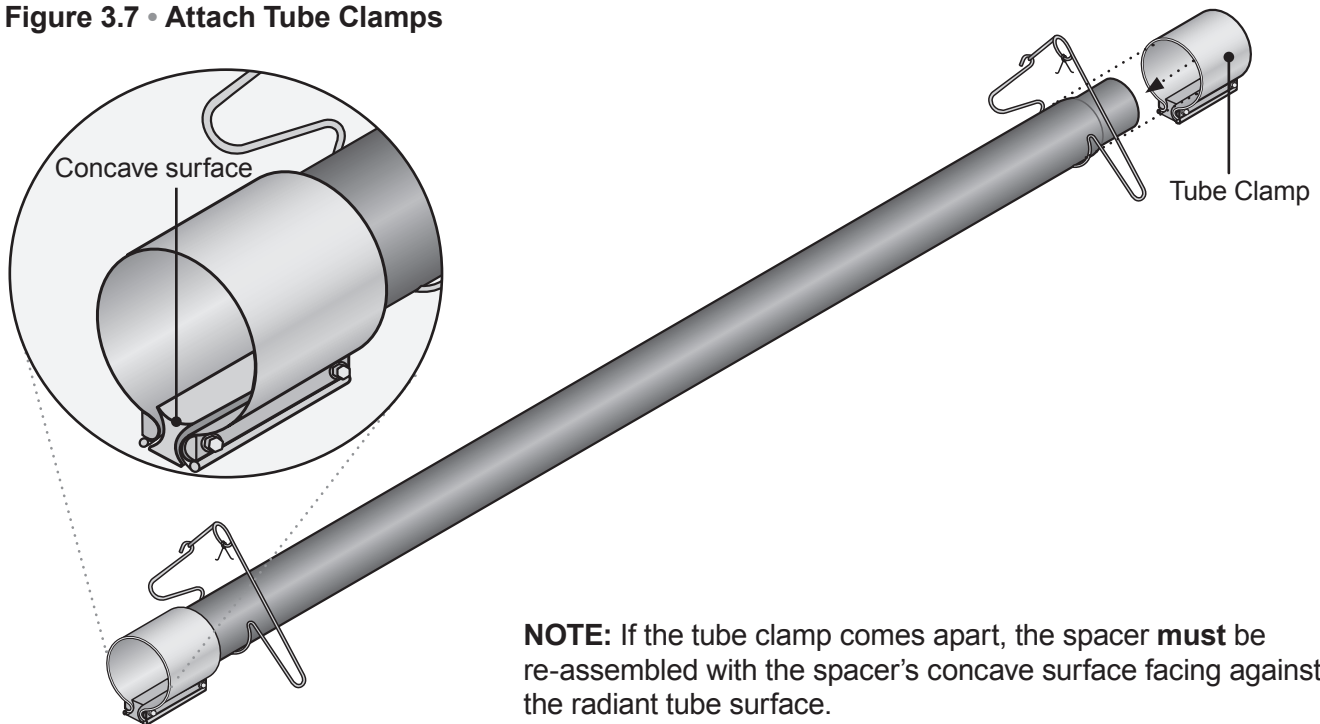
Refer to page 23 for tube installation sequence.

Figure 3.6 • Attach Hangers



- 2 Slide tube clamps onto radiant tubes (see figure 3.9).

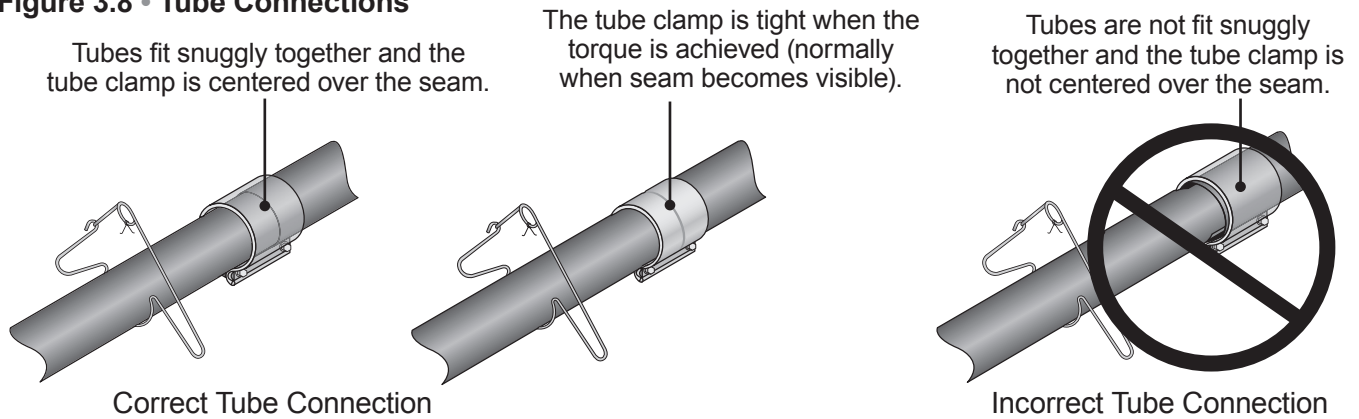
Figure 3.7 • Attach Tube Clamps



NOTE: If the tube clamp comes apart, the spacer **must** be re-assembled with the spacer's concave surface facing against the radiant tube surface.

- ③ Slip-fit the radiant tube sections together until tightly connected (install the swaged end of each tube towards exhaust end). **NOTE:** If it is difficult to mate the tubes, they may be installed incorrectly.
- ④ Center tube clamps over the seam where two radiant tube sections connect. If necessary, rotate tube clamps so they will not interfere with the reflector end caps during expansion and contraction of the heater.
- ⑤ Tighten tube clamp bolts to secure. When proper compression is obtained (40-60 ft-lbs. torque) the tube seam will create a visible mark on the tube clamp. **NOTE:** Excessive torque may damage the tube clamp.
- ⑥ Determine the location of the burner control box and note the placement of the mounting chains.

Figure 3.8 • Tube Connections



Optional Elbow or U-Bend Accessory Configuration

A 90 degree elbow or 180 degree U-bend accessory fitting may be installed in the radiant tube heating system. Refer to Chart 3.3 for minimum distance requirements from the burner control box.

When installing an Elbow or U-Bend Accessory Fitting:

- The top clearance of an uncovered (no reflector) elbow or U-bend accessory fitting to combustibles is 18 in.
- If operating the heater un-vented, separate the intake air to the heater from its exhaust products a minimum of 4 ft., further separation may be necessary. Combustion air may also be supplied.
- A maximum of two 90° elbows or one 180° U-bend can be installed on a heater.

Figure 3.9 • Optional Tube Connections

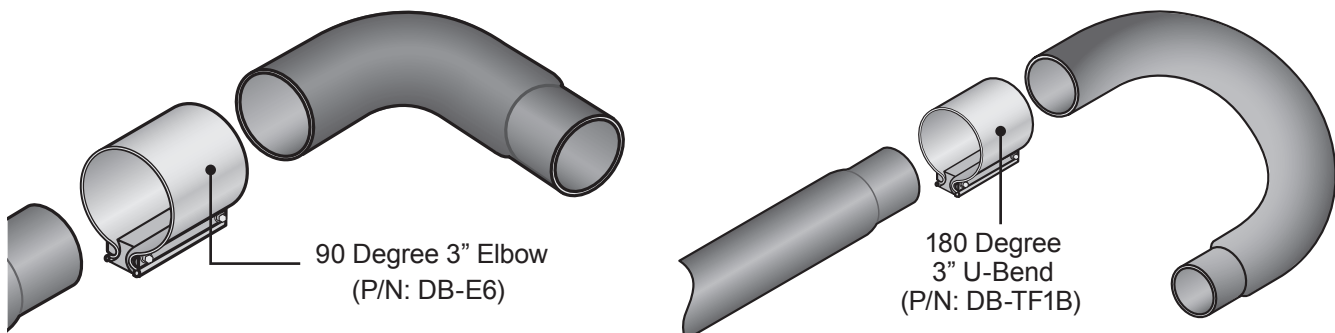


Figure 3.10 • Elbow and U-Bend Clearances

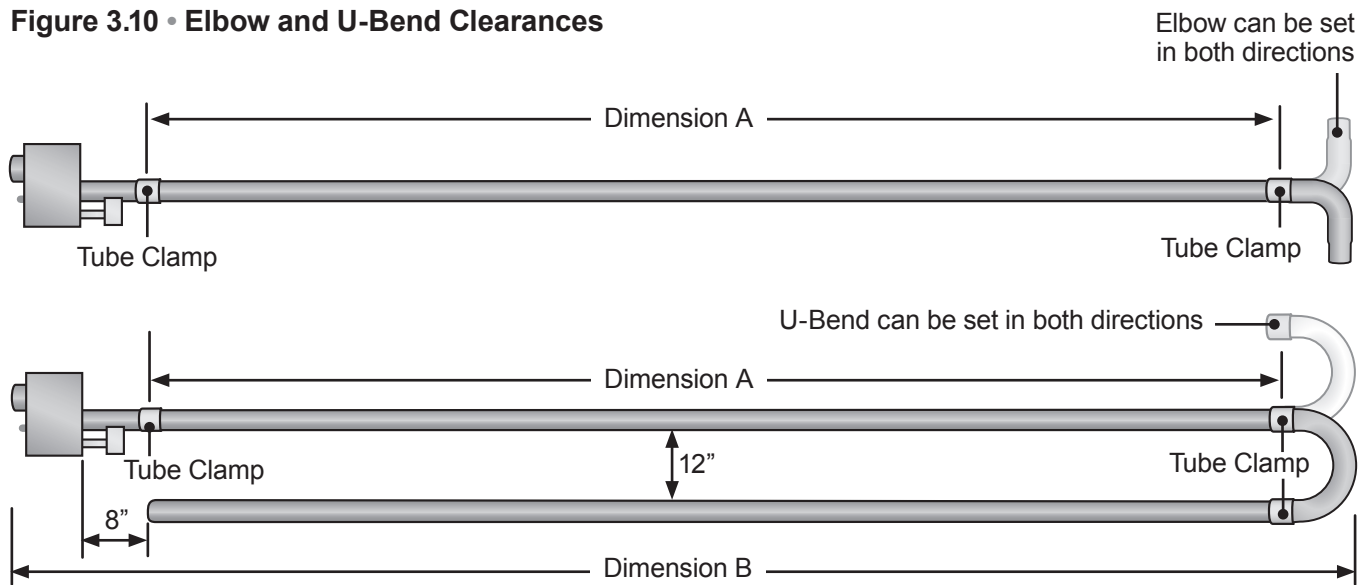


Figure 3.11 • U-Bend and Elbow Dimensions

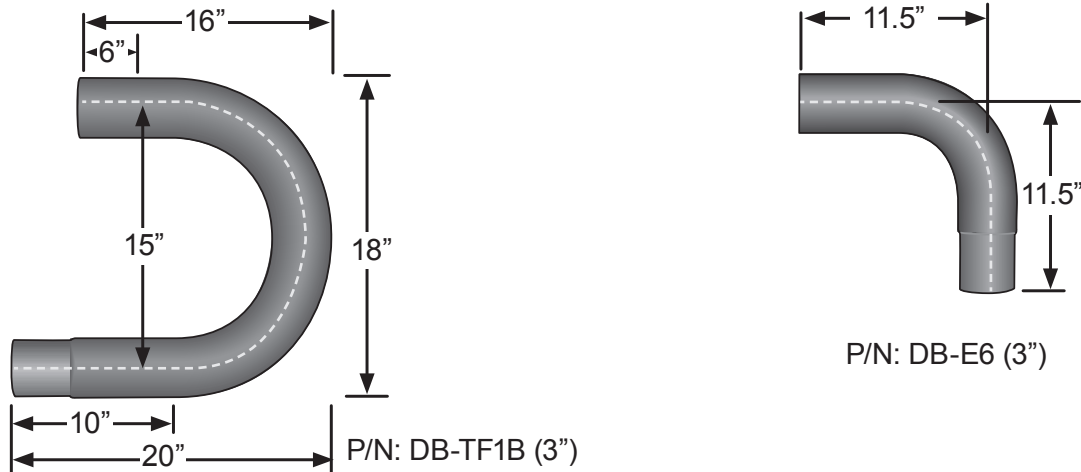


Chart 3.3
Minimum Distance From Burner Control Box to Elbow or U-bend Accessory Fitting

Model BTU Range	Dimension A
25,000	N/A
30,000	N/A
40,000	10 ft.
50,000	10 ft.

Chart 3.4
Overall Dimensions for Heaters Configured With U-Bend (P/N: DB-TF1B)

Tube Length	Dimension B	Notes
10 ft.	N/A	N/A
15 ft.	N/A	N/A
20 ft.	13'-0" / 156"	N/A
30 ft.	17'-8" / 212"	Requires P/N: DB-5EA-SUB *

* The DB-5EA-SUB add-on may only be ordered at the time of heater production. Field corrections require two (2) DB-TR-60 packages.

Burner Control Box Suspension

Suspending the burner control box must be done in accordance with applicable codes listed in the Safety section and these instructions.

The burner control box must be in straight alignment with radiant tubes and level. Contact your local distributor or the factory to see if your application allows for the rotation of the burner control box.

- ❶ Determine the mounting chain locations for hanging the burner control box.
- ❷ Fasten beam clamp, screw hook or other type of suspension anchor to hanging point.
- ❸ Attach S-hook and #1 double loop chain (P/N: THCS) to anchor. Check that it is securely connected.
- ❹ Attach chain assemblies and S-hooks to mounting brackets on the burner control box. Adjust chain lengths until level and in straight alignment with radiant tubes. Burner sight glass will be visible from the floor.

Figure 3.12 • Burner Control Box Assembly • Side View

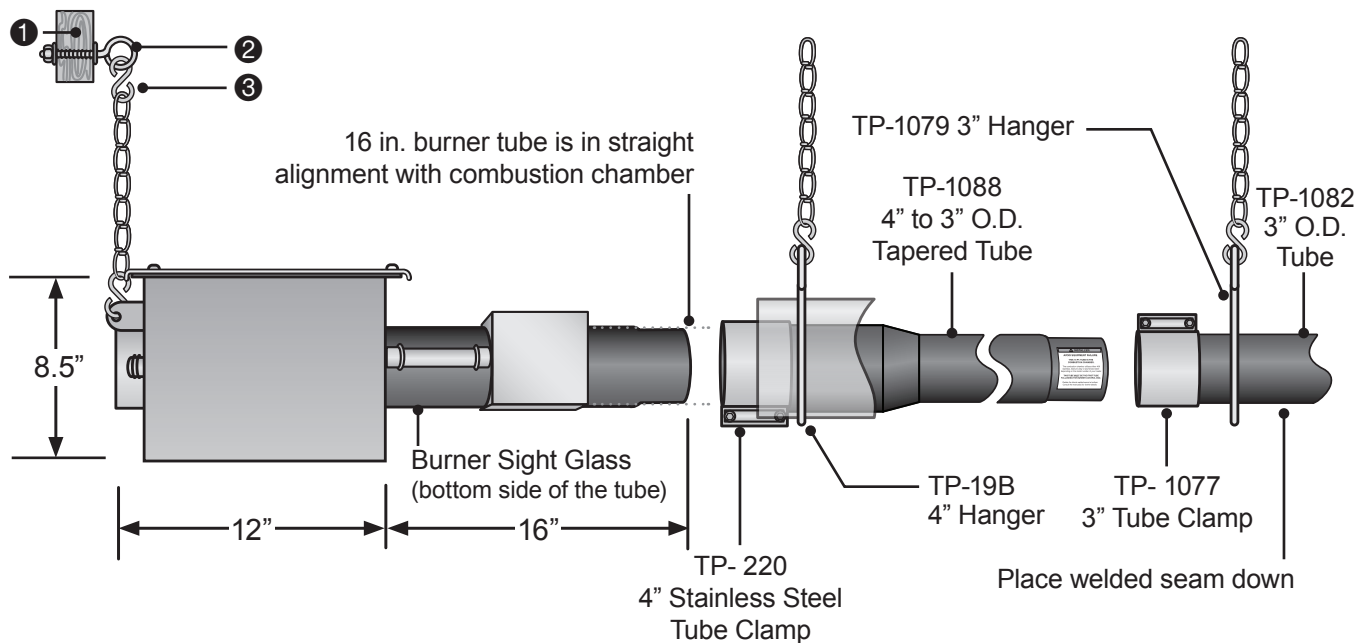
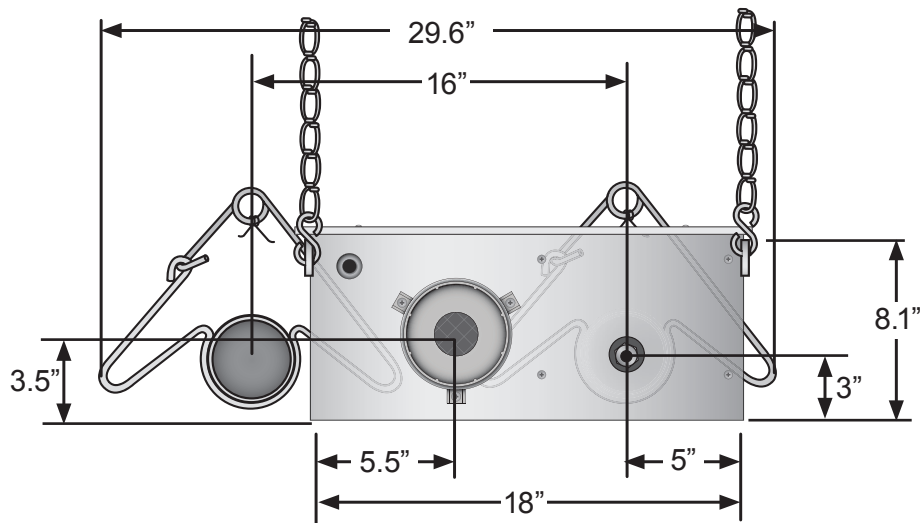


Figure 3.13 • Burner Control Box showing U-Shaped Configuration • End View



Reflector Assembly

To install the reflectors (see Figure 3.14):

- ① Attach the reflector center supports onto radiant tubes.
- ② Slide each reflector section through the hangers and adjust the reflector tension spring (if applicable) into the V-groove on the top of the reflector. The reflectors should overlap approximately 4 inches.
- ③ To prevent the reflectors from shifting, secure the reflector sections together using sheet metal screws, except at the expansion joint (see Chart 3.6). **NOTE:** Installer to supply sheet metal screws.
- ④ Attach reflector end caps with polished finish inward to each end of the reflector run. Secure with clips.

Reflectors and reflector accessories direct infrared energy to the floor level. The reflector assembly depends on the heater configuration, proximity to combustibles, and space surrounding the heater.

Before you begin assembly, determine if the use of reflector accessories are necessary (see Chart 3.5).

Figure 3.14 • Reflector Assembly

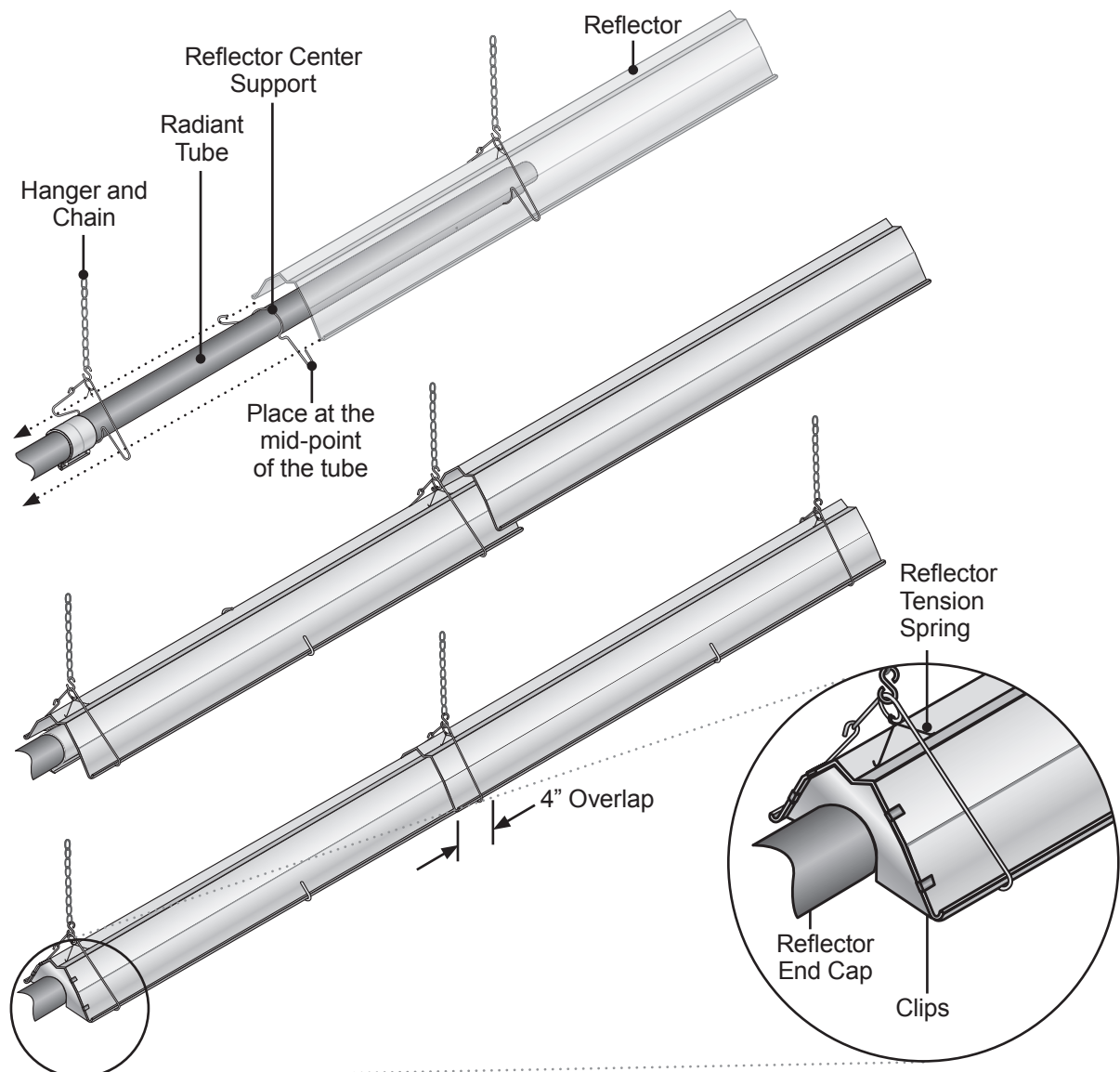


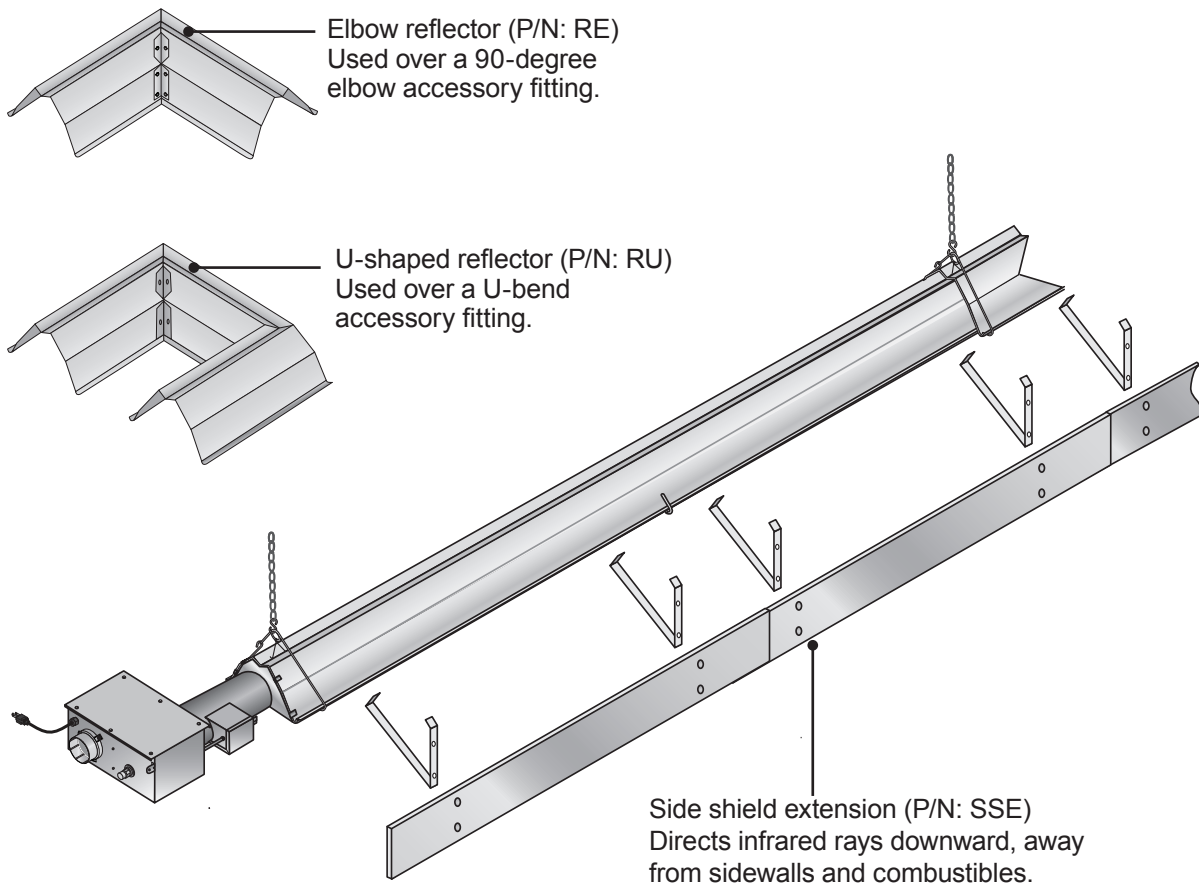
Chart 3.5
Common Optional Accessories

Reflector Accessory	Description	Part Number
Elbow Reflector*	90° bend, highly polished aluminum reflector elbow designed to fit atop one elbow accessory fitting.	RE
U-Reflector*	180° bend, highly polished aluminum reflector U-bend designed to fit atop one U-bend accessory fitting. Reference figure 3.4	RU
Side Shield Extension**	Highly polished side shield extension used to direct infrared rays downward, away from sidewalls and combustibles.	SSE
Protective Guard	Used to prevent debris or objects from becoming lodged between the radiant tube and reflector. Required when mounting heaters below 8 ft.	PG

* Reflectors cannot be rotated when used with a reflector elbow (RE), or side shield (SSE).

** Refer to the Clearance to Combustible chart on page 12 for minimum distances to combustibles when side shield extension(s) are used.

Figure 3.15 • Reflector Shield Accessories

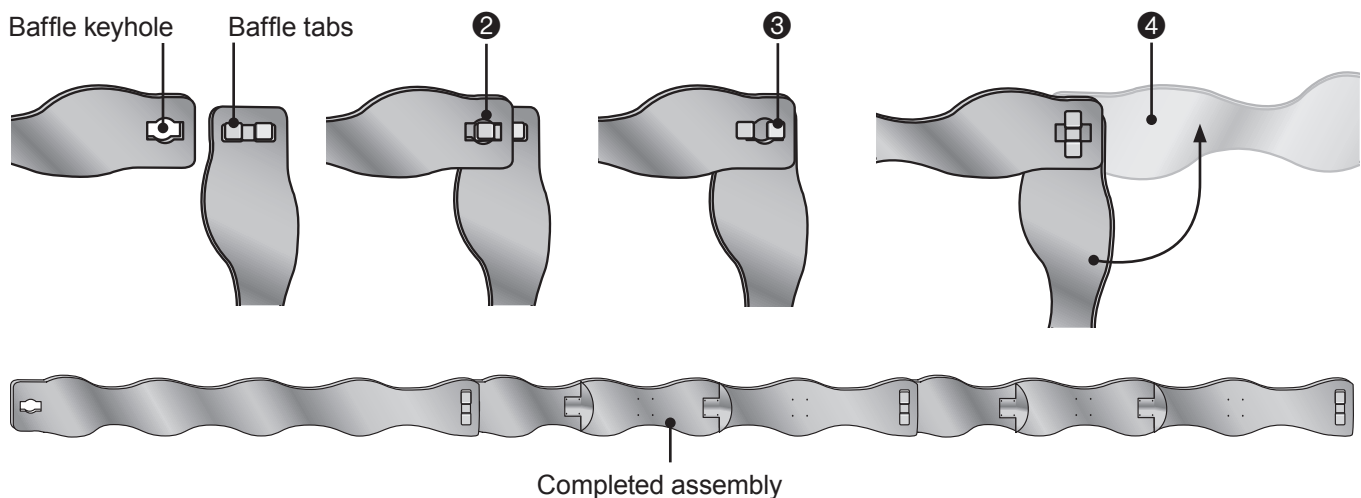


Baffle Assembly and Placement

To assemble the baffles: **NOTE:** Baffles may be inserted into the tube while being assembled.

- ① Identify one heat baffle (no fins) and two pressure baffles (with fins).
- ② Orient the baffle tabs at a 90° angle to the baffle keyhole (see Figure 3.16).
- ③ Insert one baffle tab into keyhole and slide completely to one side until both baffle tabs appear in the keyhole.
- ④ Adjust the tabs to the center of the keyhole and rotate the baffle 90 degrees to lock the baffle sections together.
- ⑤ Repeat this process until all three baffle sections are connected.

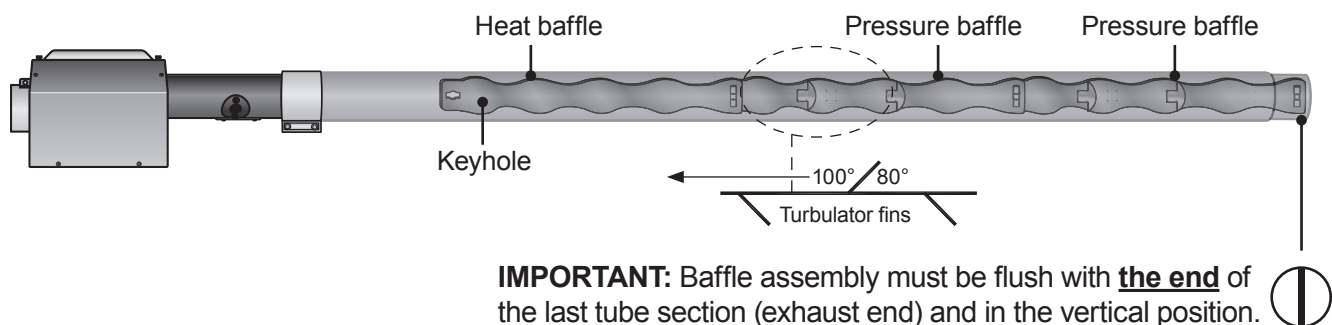
Figure 3.16 • Assembling the Baffles



To insert the baffles:

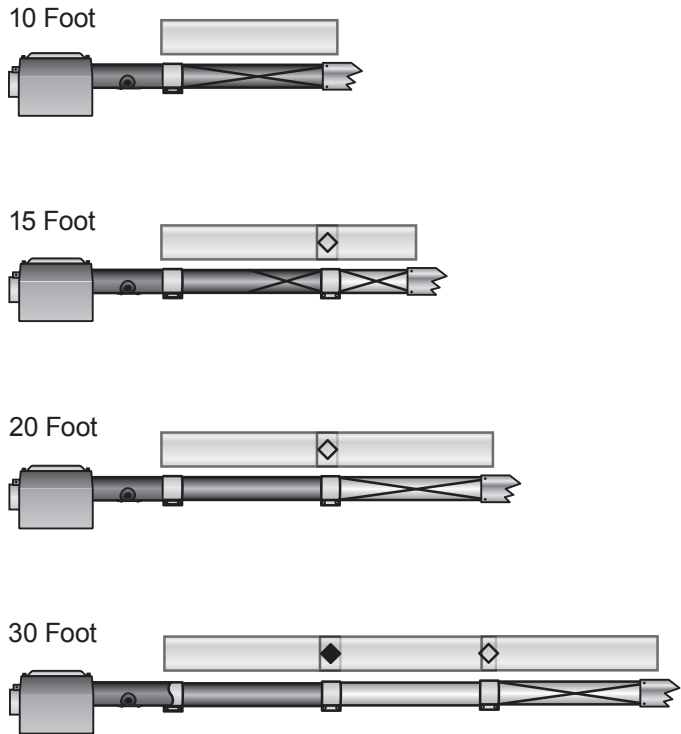
- ① Insert baffles with the keyhole end first. **IMPORTANT:** Note insertion order and proper fin direction (80° towards exhaust end and 100° towards burner end (Figure 3.19)).
- ② Rotate baffle assembly so that it is in the **vertical position**.
- ③ Slide baffle assembly into the last radiant tube section, furthest from burner control box.
NOTE: It may be necessary to cut the heat baffle into two sections when the heater is configured with a 'U' or 'L' shaped accessory fitting. In this case, place as much baffle as possible downstream of the 'U' or 'L' fitting and the remainder just before the fitting.

Figure 3.17 • Inserting the Baffles

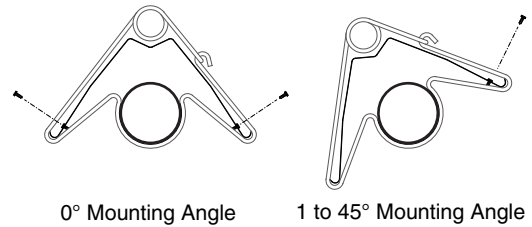









Final Heater Assembly

Chart 3.6
Tube Installation Sequence, Baffle Location and Secured Joints for Reflectors



NOTE: When securing joints on reflectors which are rotated on an angle from horizontal, secure joint only on top side of reflector to allow for sufficient heater expansion and contraction.



Key			
	Burner Control Box w/16 in. Burner Tube		Aluminized Radiant Tube Exchanger with Clamp
	Expansion Joint on Reflectors		Baffle Location
	Secured Joint on Reflectors		Secure vent material to exchanger with three #8 sheet metal screws. Seal with high temperature silicone sealant. Do not use tube clamp.
	Titanium Treated Combustion Chamber with Clamp		

Venting

The LS2 Series tube heater must be vented as described here to properly direct flue gases from the unit to the outside atmosphere. The venting can terminate vertically through the roof (up) or horizontally through a sidewall (sideways).

Follow these guidelines and all applicable codes for all models prior to installing the vent material. Local codes may vary.

In the absence of local codes, refer to:

United States: NFPA 54/ANSI Z223.1 (latest edition), National Fuel Gas Code.

Canada: CAN/CGA B149.1 and B149.2 Installation Codes for Gas Burning Appliances.

⚠ WARNING



Gas-fired heaters must be vented. A built in power exhauster is provided. Additional external power exhausters are not required or permitted.

Insufficient ventilation and/or improperly sealed vents may release gas into the building which could result in health problems, carbon monoxide poisoning or death. Improper venting may result in fire, explosion, injury or death.

⚠ WARNING

Do not vent this appliance into another heater's vents or through a masonry chimney.

Do not use dampers in the heater vent pipe.

Single Wall vent pipe must not pass through any unoccupied attic, inside wall, concealed space, or floor.

Un-insulated single wall vent pipe must not be used outdoors for venting appliances in regions where winter design temperature is below freezing.

Replacing Existing Equipment

If the heater is replacing existing equipment and using an existing vent system, inspect the venting for proper size and horizontal pitch as directed in these instructions and the latest edition of the National Fuel Gas Code, ANSI Z223.1 (NFPA 54) or CSA B149.1 Installation Code.

Determine that there is not blockage or restriction, leakage, corrosion or other deficiencies that can cause hazards. The vent pipe should be corrosion-resistant galvanized steel of a thickness that meets the National Fuel Gas Code. Minimum thickness for connectors varies depending on the pipe diameter. Never vent the LS2 Series with PVC or plastic pipe.

⚠ WARNING



If replacing an existing heater, vents may require re-sizing. Improperly sized venting systems can result in vent gas leakage or condensation. Refer to the National Fuel Gas Code ANSI Z223.1 (NFPA 54) or CSA B149.1 - latest edition. Failure to follow these instructions can result in serious injury or death.

General Venting Requirements

The venting system for LS2 Series heaters may terminate horizontally through a sidewall or vertically through the roof, and may be individually or commonly vented. Configuration of the vent termination determines the category type. All model heaters must be installed in accordance to the requirements of this section, as well as the requirements of its category determination, as described in this manual. To determine your applications category type, review 'Vertical Venting' (Category I) and 'Horizontal Venting' (Category III) sections of this manual.

All :LS2 Series Model Requirements:

- Exhaust vent pipe must be 4 inch nominal size. (3 inch for LS2/LD2 series heaters)
- Use vent pipe material that is corrosion-resistant galvanized steel of a thickness that meets the National Fuel Gas Code.
- Do not exceed a maximum vent length of 20 feet.
- Maintain a minimum vent length of 3 feet.
- Maintain a minimum 12 inches of straight pipe from the flue outlet before any directional changes are made in the venting system.
- Have all vent pipe seams or connectors sealed with high temperature silicone sealant approved for at least 550°F (288°C) (field supplied) and fastened together with at least three (3) corrosion resistant sheet metal screws (field supplied).
- Maintain a 6 inch clearance around all single wall vent pipe from any combustible materials. For double wall vent pipe type B vent or Duravent PVP venting, follow the vent manufacturer's clearance to combustibles.
- The equivalent length for a 3 inch 90° elbow is 3 feet. (LS2/LD2 series only).
- The equivalent length for a 4 inch 90° elbow is 5 feet.
- Avoid using more than two 90° directional changes in the venting system.
- Suspend and secure all horizontal runs in a manner consistent with local codes and in such a way that the vent system is supported to prevent sagging.
- Vent termination must maintain a minimum distance of 6 feet from any mechanical air supply inlet.
- The vent terminal must be installed to prevent any blockage by snow and protect building material from degradation by flue gases.
- Consult NFPA ANSI Z223.1 Gas Vent Termination criteria for vents that terminate on a roof pitch that exceeds 9:12.
- **Canada:** Vents must terminate a minimum of 3 feet from a window or door that may be opened, and a non-mechanical air supply inlet or combustion air inlet into the building.

When possible, avoid venting through an unconditioned space. Venting through an unconditioned space promotes condensation. When venting through an unconditioned space is unavoidable, or if the unit is installed in an area that is prone to condensation, insulate venting runs greater than 5 feet to minimize the production of condensation. Inspect for leakage prior to insulating the venting and only use insulation that is non-combustible with a temperature rating of not less than 550°F(288°C). Install a tee fitting at the low point of the vent system and provide a drip leg with a clean out cap as shown in figure 3.18.

When venting pipe passes through a combustible interior wall or floor, a metal thimble with a diameter 4 inches greater than the vent pipe diameter must be used. If there is 6 feet or more of vent pipe prior to passing through the combustible wall or floor, then the metal thimble need only be 2 inches greater than the vent pipe diameter. If a metal thimble is not used, all clearance to combustibles from the vent pipe must be 6 inches. Where permitted, type B vent or Duravent PVP venting, follow the manufacturer's recommended clearance to combustibles. Any material used to close or insulate the opening must be non-combustible.

Vertical Venting (Category I)

An appliance that operates with a non-positive vent static pressure and with a vent gas temperature that avoids excessive condensate production in the vent is said to be 'Category I'. The LS2 Series heater is considered a Category I appliance if the venting system meets all of the following criteria:

- The vent system terminates vertically (up).
- The length of the horizontal portion of the vent run is less than 75% of the vertical rise length. (e.g.- If the vertical vent height is 10 feet, the horizontal run is less than 7-½ feet).
- The vent terminates a minimum of 5 feet above the vent connection on the unit.
- Horizontal venting sections of the vent pipe must be installed with an upward slope from the appliance at a pitch of ¼ inch per foot.

For vertical vent termination, the venting must comply with all parts of this section, in addition to the requirements of the general venting.

Category I (Vertical) venting is venting at a non-positive pressure. An appliance vented as a Category I is considered a fan-assisted appliance and the vent system does not have to be 'gas tight'. It is recommended that the venting system is installed with a tee, drip leg, and clean-out cap as shown in figure 3.18.

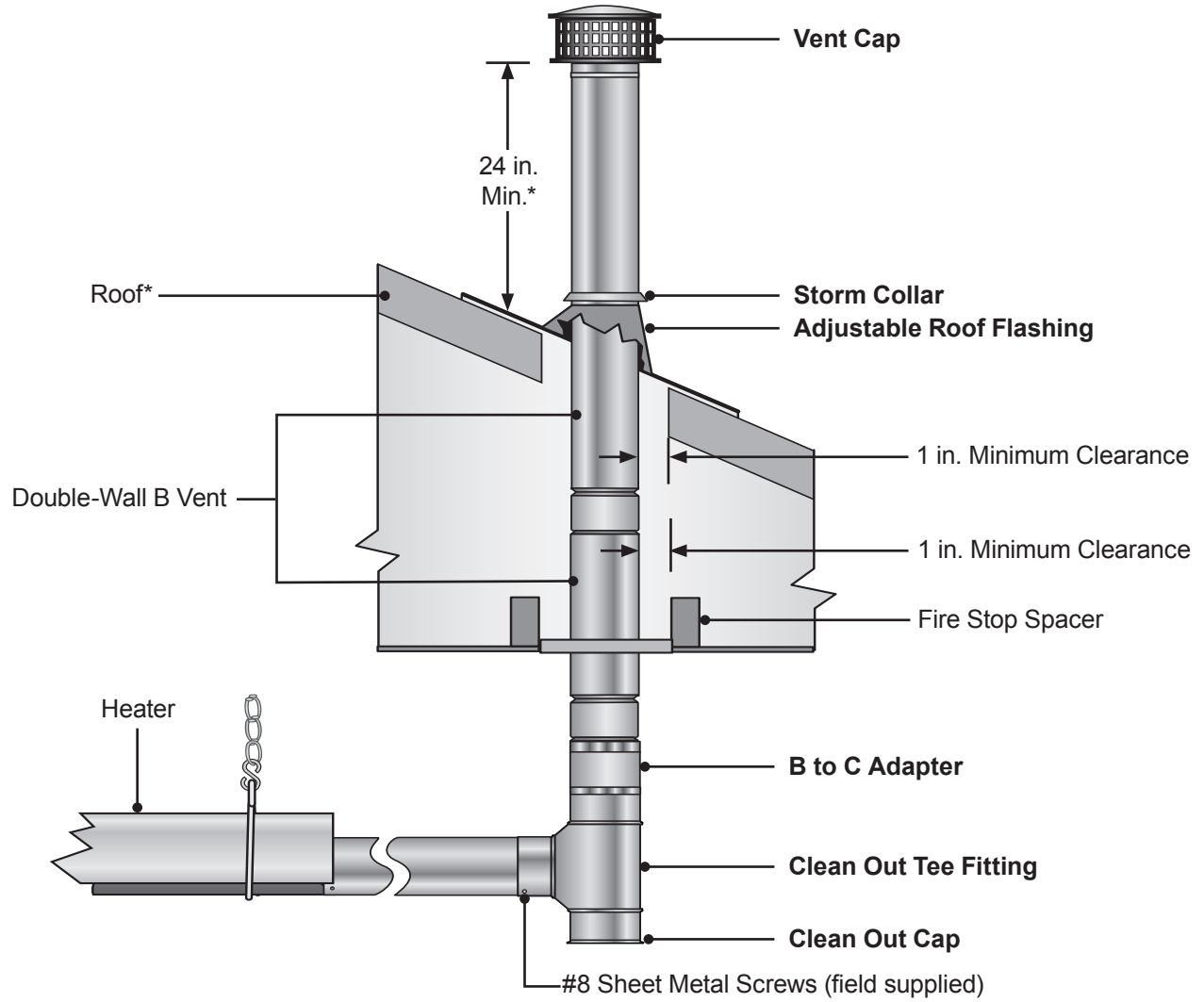
Vent Locations and Clearances:

- Separate air intake duct from vent pipe by a minimum of 4 feet by placing vent pipes higher than adjacent air intake ducts.
- Utilize a listed type B vent termination cap.
- The vent terminal must extend a minimum of 2 feet above the roof.
- Vent caps should be located a minimum of 2 feet away from adjoining structures.

All vertically vented heaters that are Category I must be connected to a chimney or vent complying with a recognized standard, or lined masonry (or concrete) chimney with a material acceptable to the authority having jurisdiction. Venting into an unlined masonry chimney is not permitted. Refer to the National Fuel Gas Code and page 28 of this manual.

Use a listed vent terminal to reduce down drafts and moisture in the vent.

Figure 3.18 • Rooftop Venting - Side View



*Consult the NFPA ANSI Z223.1 Gas Vent Termination criteria if roof pitch exceeds 9:12

Horizontal Venting (Category III)

An appliance that operates with a positive vent static pressure and with a vent gas temperature that avoids excessive condensate production in the vent is said to be 'Category III'. The LS2 series heater is considered a Category III appliance if the venting system meets all of the following criteria:

- The vent system terminates horizontally (sideways).
- The vent terminates vertically, but the length of the horizontal portion of the vent run exceeds 75% of the vertical rise length. (e.g.- If the vertical vent height is 10 feet, the horizontal run is greater than 7-½ feet).
- The vent terminates below 5 feet of the vent connection on the unit.
- Horizontal venting sections of the vent pipe must be installed with a downward slope from the appliance at a pitch of ¼ inch per foot.

Vent enclosed spaces and buildings according to the guidelines in this manual and applicable national, state, provincial, and local codes.

The venting system must be provided by the installer and should be comprised of single-wall venting materials with a thickness of no less than 26 gauge. All joints must be sealed with a high temperature silicone sealant approved for at least 550°F (288°C) using a minimum bead of ¼ x ¼", and fastened with at least three corrosion resistant #8 sheet metal screws evenly spaced.

One continuous section of double-wall B vent or Duravent PVP vent may be used to pass through a combustible wall or barrier, or the installer may continue to use single-wall vent provided a combustible wall thimble is used which provides adequate clearances to combustibles.

All horizontal Category III vents must be terminated with a Simpson-Duravent sidewall vent cap (P/N: SWD-4 for 4" venting or common venting LS2/LD2 series, or P/N: DB-208 for 3" venting).

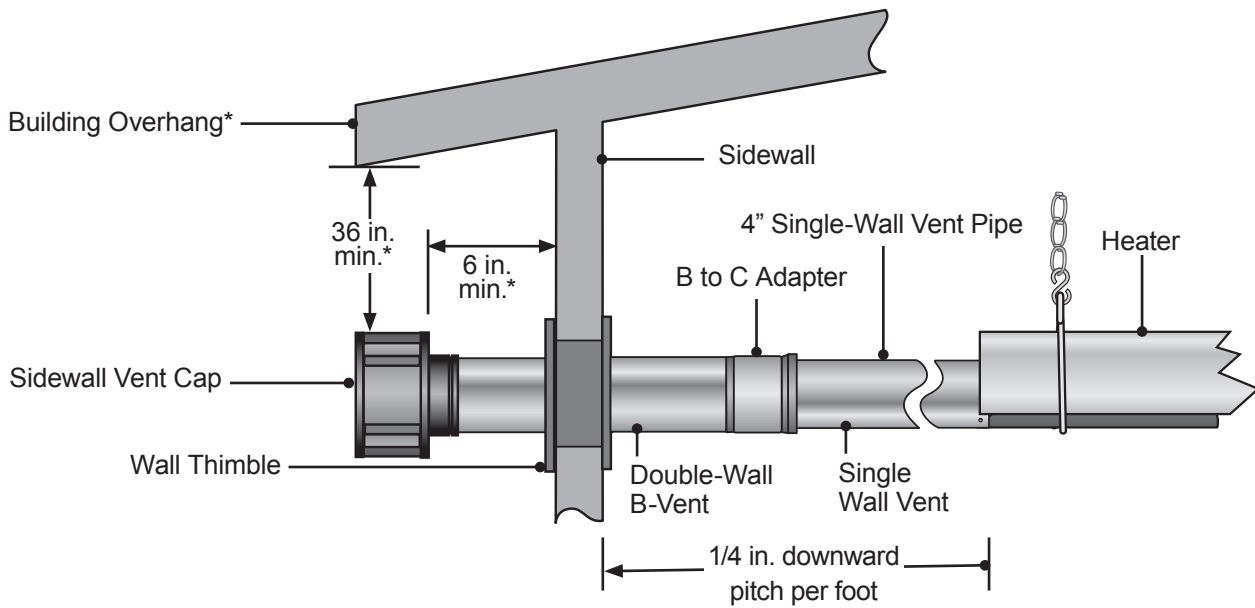
IMPORTANT! Once all silicone sealant has fully cured according to manufacturer's instructions, the installer must perform a leak test on the complete venting system. A solution of soap and water may be used to test the venting inside the occupied space. Once the installer has verified the venting system is completely sealed and free of leaks, the heater may be placed into operation.

Vent Locations and Clearances:

- Vent must terminate a minimum of 4 feet below, 4 feet horizontally from, or 1 foot above any window or door that may be opened or gravity air inlet into the building.
- Vent must terminate a minimum of 3 feet above any forced air inlet that is located within 10 feet.
- The bottom of the vent terminate must be located a minimum of 12 inches above grade level and must extend beyond any combustible overhang. Vents adjacent to public walkways must terminate a minimum of 7 feet above grade level.
- The vent cap must be a minimum of 6 inches from the sidewall of the building.
- Vent must be a minimum of 36 inches below or extend beyond any combustible overhang.

Never join two sections of double wall vent pipe within one horizontal vent system, as it is impossible to verify that inner pipes are completely sealed.

Figure 3.19 • Sidewall Venting Requirements



*Vent must extend beyond any combustible overhang if the vent is less than 36 in. below the combustible overhang.

Common Venting (Category I)

The common vent system and all attached appliances must be Category I and must be on the same control device.

The vent connector should be routed in the most direct route from the units to the common vent.

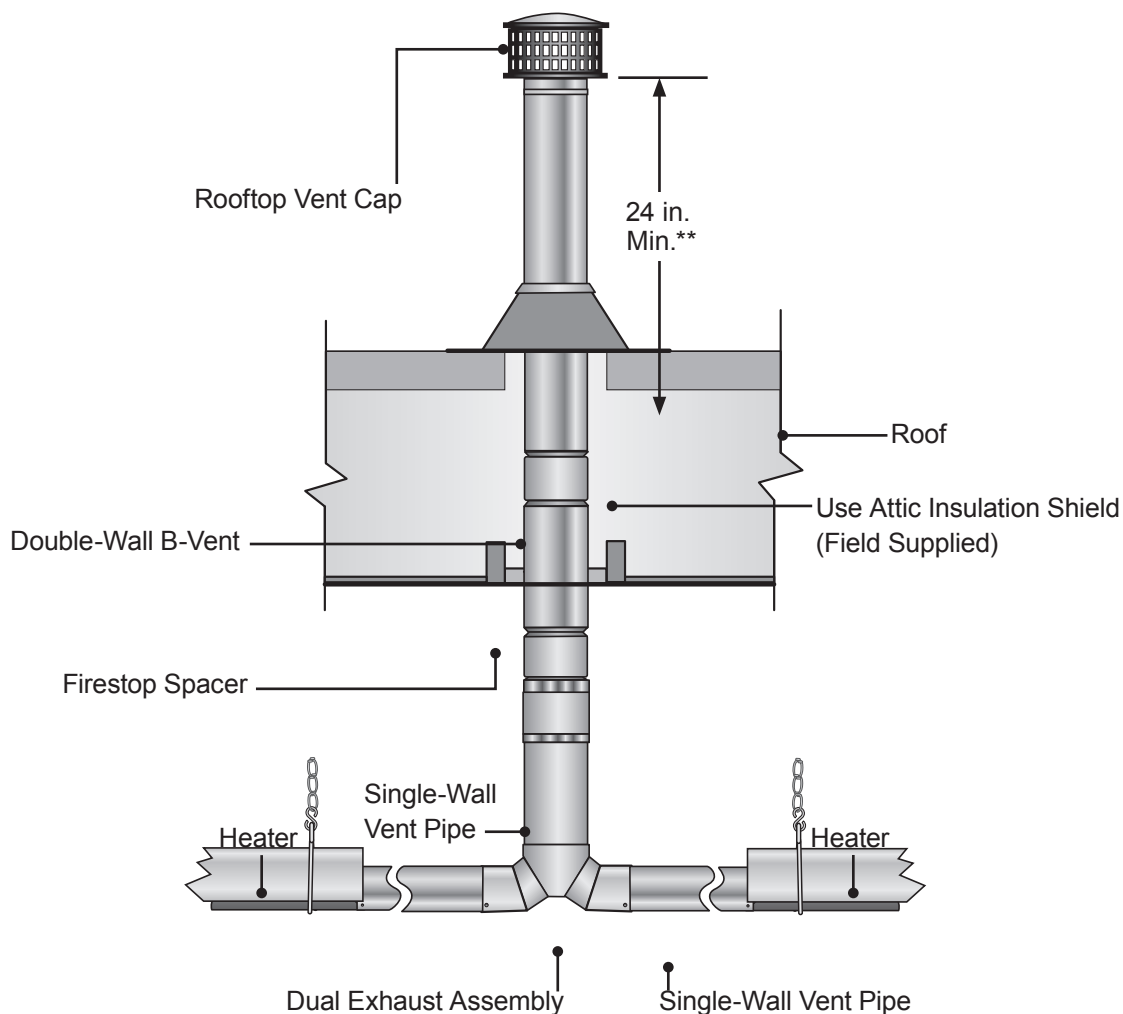
Where two or more vent connectors enter a common gas vent or chimney flue, the smaller connector shall enter at the highest level consistent with the available head room or clearance to combustible material.

Restrictions within the common vent such as elbows should be minimized. Each elbow installed within the common portion of the vent carrying system reduces the maximum common vent capacity by 10%. Refer to NFPA 54 IFEC tables 11.2 and 11.3 for capacity.

The vent connector capacities allow for the use of two 90° directional changes. For each additional required elbow, the vent connector capacity is reduced by 10%.

The common vent cross sectional area must be equal to or greater than the largest vent connector cross sectional area.

Figure 3.20 • Common Rooftop Venting - Side View

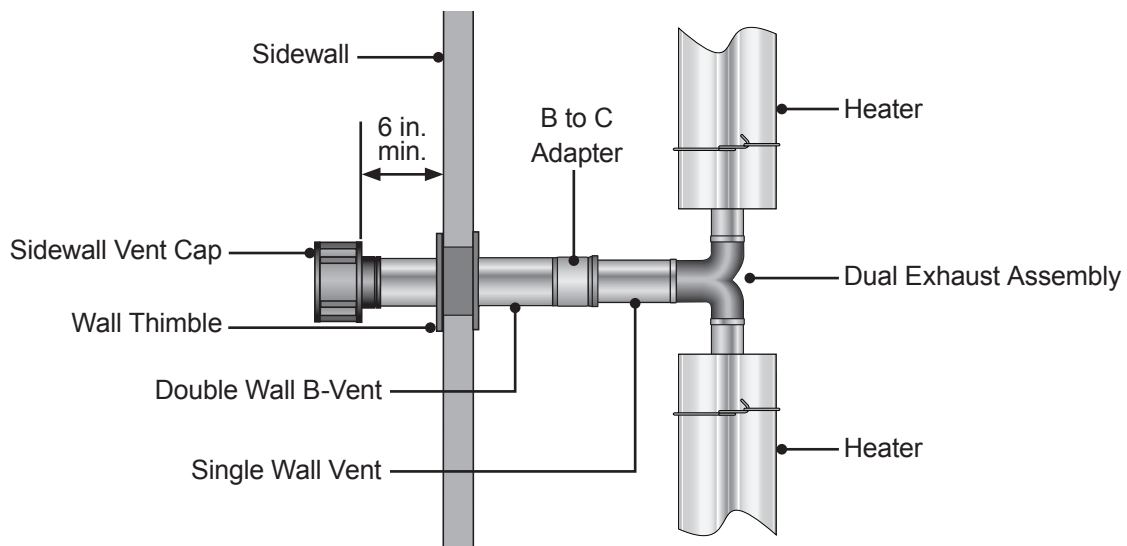


**Consult the NFPA ANSI Z223.1 Gas Vent Termination criteria if roof pitch exceeds 9:12.

Common Venting (Category III)

- A staggered arrangement or a dual exhaust assembly (P/N: Y) must be used when joining two heaters to a common vent so that by-products of one heater do not flow into the adjoining vent of the other heater.
- A Category III appliance may be common vented only if the appliances are on the same control device so that they may only be operated at the same time to prevent the backflow of exhaust gases into a non-operational appliance. The venting system must follow all guidelines for Category III venting as listed on page 32.
- The vent connector should be routed in the most direct route from the units to the common vent.
- Where two or more vent connectors enter a common gas vent or chimney flue, the smaller connector shall enter at the highest level consistent with the available head room or clearance to combustible material.
- Restrictions within the common vent such as elbows should be minimized. Each elbow installed within the common portion of the vent carrying system reduces the maximum common vent capacity by 10%. Refer to NFPA 54 IFEC tables 13.2(a) through 13.2(e) for capacity.
- The vent connector capacities allow for the use of two 90° directional changes. For each additional required elbow, the vent connector capacity is reduced by 10%.
- The common vent cross sectional area must be equal to or greater than the largest vent connector cross sectional area.

Figure 3.21 • Common Sidewall Venting - Top View



Optional Unvented Operation

⚠ WARNING



This appliance must be vented in residential installations. Unvented tube heaters in residential spaces may result in property damage, serious injury, or death. Use unvented operation in commercial and industrial installations with proper ventilation rates only.

When using an unvented configuration (commercial & industrial use only), **consider the following:**

- A factory vent cap/diffuser (P/N: WVE-3) **must** be used.
- Where unvented heaters are used, natural or mechanical means **must** be provided to supply and exhaust a minimum of 4 CFM/1000 BTU/h input of installed heaters.

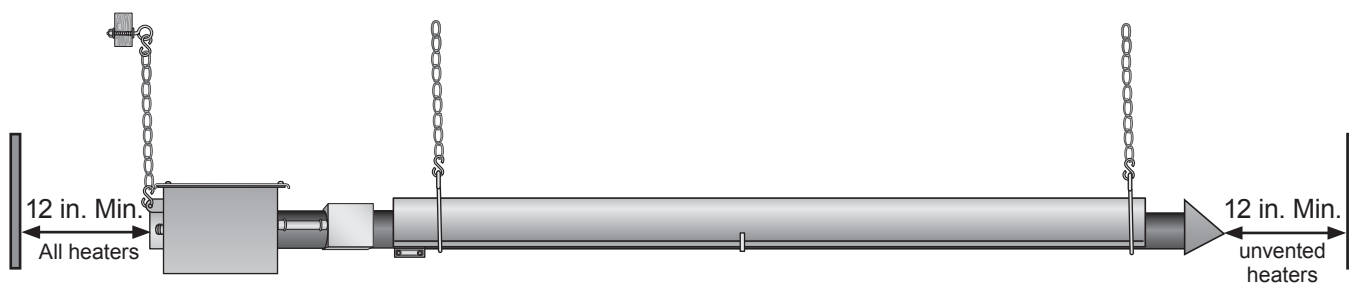
NOTE: Gravity or mechanical means may be used to accomplish the air displacement. Local codes may require that the mechanical exhaust system be interlocked with the electrical supply line to the heaters, enabling both to function simultaneously.

- The minimum clearance between the air intake and the exhaust terminal is 4 feet.

NOTE: When installing in a U-tube configuration, use extra caution to separate vent gases from heater intake.

- Exhaust openings for removing the flue products must be located above the level of the heater(s).

Figure 3.22 • Minimum End Clearances



Combustion Air Requirements

Combustion air may be supplied to the heater by indoor or outdoor means. Follow these guidelines and all applicable codes for all models prior to installing the combustion air duct work. Local codes may vary. In the absence of local codes, refer and comply with the National Fuel Code ANSI Z223.1 (NFPA 54) latest edition or the National Standards of Canada.

⚠ WARNING



Sufficient combustion air must be supplied to the appliance at all times. Lack of combustion air may result in property damage, serious injury or death.

This unit comes standard equipped for connection of supplied outdoor air for combustion. It is designed for outside air to be brought into the appliance from combustion intake ducts, and is referred to as a “Separated Combustion” appliance.

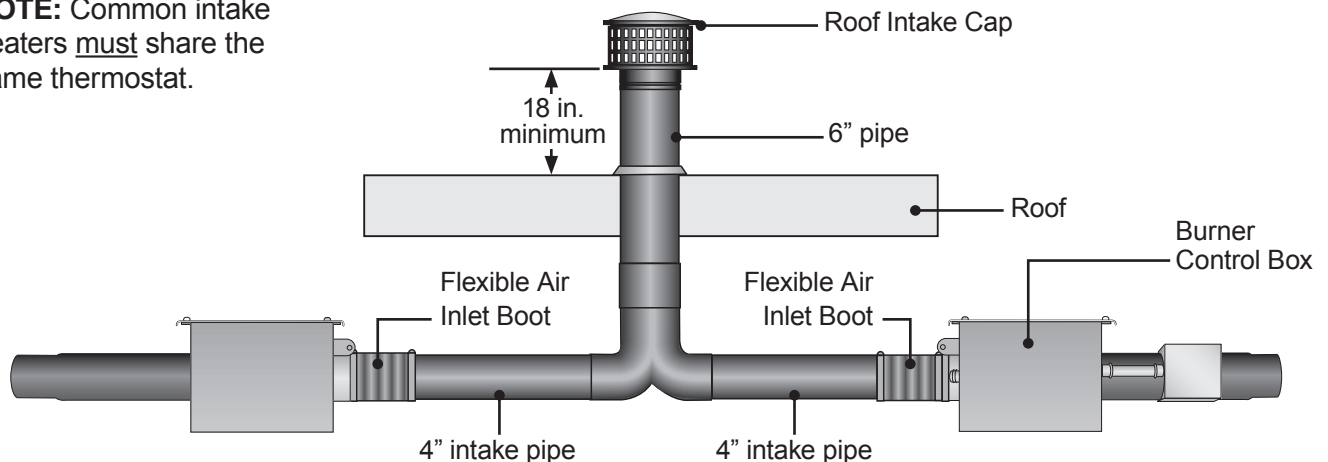
This heater must operate as a separated combustion system if any of the following criteria apply:

- Chemicals such as chlorinated or fluorinated hydrocarbons (typical sources are refrigerants, solvents, adhesives, degreasers, paints, paint removers, lubricants, pesticides, etc.) are present in the atmosphere.
- High humidity.
- Contaminants such as sawdust, welding smoke, etc.
- Negative building pressure.
- Unusually tight construction where the air infiltration rate is less than 0.40 air changes per hour.

If your application does not meet any of these criteria, then room air may be used as supplying combustion air to the heater. Refer to ‘Combustion Air Supply - Room Air’ on page 36 for details on how to utilize room air for combustion.

Figure 3.23 • Vertical Outside Air Supply for Common Intake - Side View

NOTE: Common intake heaters must share the same thermostat.



Separated Combustion Systems

All LS2 Series heaters come with a factory-installed combustion air adapter for attaching air intake ducts to the heater. Attach the air intake duct material to the adapter with three (3) non-corrosive sheet metal screws. If necessary, drill pilot holes prior to attaching the air intake ducts. The diameter of the intake ducts must not be smaller than the factory installed adapter.

When operating this unit as a separated combustion heater system, combustion air must be supplied to the heater by outdoor means through the factory installed vent connector. The combustion air intake duct may terminate horizontally through a sidewall or vertically through the roof. Ideally, the intake should terminate within the same pressure zone as the venting terminates, which should minimize the effects of wind.

All Separated Combustion systems must comply with the following items:

- Air intake ducts must be of galvanized steel or an equivalent solid corrosion-resistant material.
- Do not exceed a length of 20 feet. Do not draw air from attic space. (Acceptable for AG use only)
- Do not exceed more than two (2) 90° directional changes (elbows) in the system.
- Seal all joints with metallic tape or silicone sealant. Wrap the tape two full turns around the vent pipe.
- Slope air intake pipe ¼ inch per foot upward or downward away from the unit.
- Do not draw fresh air from the remaining space around a chimney liner, gas vent, special gas vent, or plastic piping installed within masonry, metal, or factory built chimney.
- Combustion air ducts may be insulated if they pass through an unconditioned space.
- A factory approved sidewall intake cap must be used when terminating the combustion air ducts horizontally through the sidewall.
- When combustion air ducts terminate vertically through the roof, a minimum of 18 inches above the roof grade must be maintained.
- Separate the air intake duct from vent pipe a minimum of 4 feet. Also, place vent pipe higher than adjacent air intake duct.
- Air intake duct must terminate a minimum of 3 feet below any forced air vent discharge that is located within 10 feet.
- The bottom of the air intake duct termination must be located a minimum of 12 inches above grade level. Air intake ducts that terminate adjacent to public walkways must be installed a minimum of 7 feet above grade level.
- The air intake duct must be installed to prevent blockage by snow, debris, or other possible obstructions.
- **DO NOT** use insulated flex duct, as an only means of vent pipe. This product is meant to sleeve over solid pipe only.

Figure 3.24 • Outside Combustion Air Vertical Intake - Side View

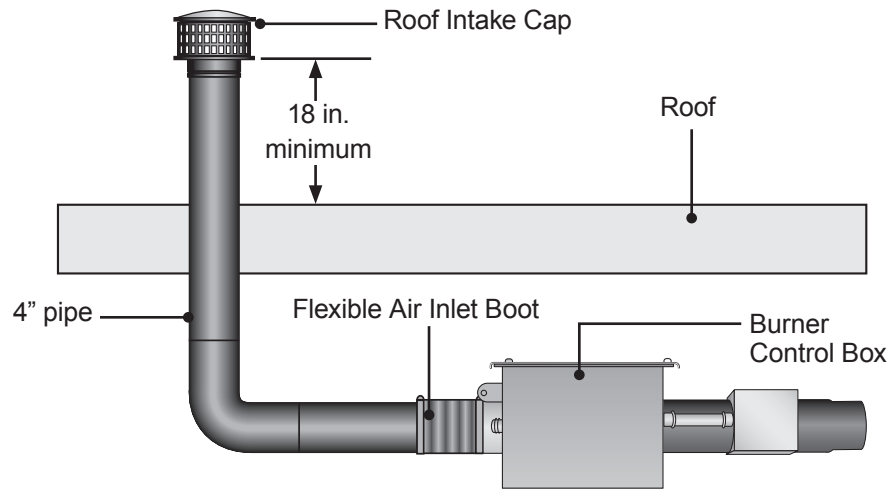
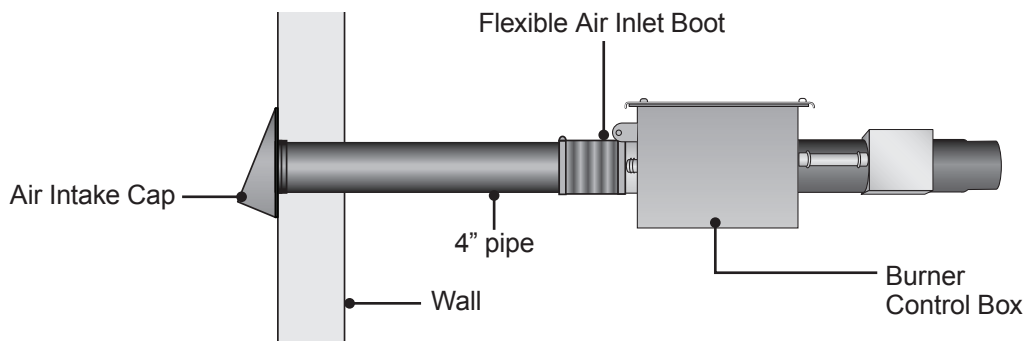


Figure 3.25 • Outside Combustion Air Sidewall Intake - Side View



Combustion Air Supply - Room Air

Combustion air may be supplied to the heater by indoor or outdoor means.

If using combustion air from indoors, the required volume of the space must be a minimum of 50 ft³ per 1000 Btu/hr unless the building is of unusually tight construction. If the building is of unusually tight construction with air infiltration rates of less than 0.40 air changes per hour, outside combustion air is typically needed unless the sheer size of the building allows otherwise. Contact the factory for further determination of air infiltration rates.

Gas Supply Installation Instructions

The gas supply to the tube heater must be connected and tested in accordance with national, state, provincial, and local codes along with guidelines in this manual. In the United States refer to the latest edition of the ANSI Z223.1 (NFPA54) Standard and in Canada refer to the latest edition of the CAN/CGA B149.1 Standard.

Supply gas piping to the unit should conform with the local and national requirements for type and volume of gas handled, and pressure drop allowed in the line. Avoid pipe sizes smaller than 1/2". The installation must conform with local building codes or, in the absence of such codes, the National Fuel Code (NFPA 54) and in conjunction with ANSI Z21.24/CSA 6.10 "Connectors for Gas Appliances".

⚠ WARNING



Improperly connected gas lines may result in serious injury and death, explosion, poisonous fumes, toxic gases or asphyxiation. Connect gas lines in accordance to national, state, provincial and local codes.

Gas pressure to the appliance controls must never exceed 1/2 PSI (14" W.C.).
Damage to the controls may result.

⚠ CAUTION

Gas lines should be purged of air as described in ANSI Z223.1 (NFPA 54) or CSA-B149.1– latest version. Installation of the piping must also conform with the local building codes, or in the absence of local codes, with the latest edition of the National Fuel Gas Code (NFPA 54). In Canada, installation must be in accordance with CSA-B149.1

NOTICE

The total input to the appliance must fall within +/- 5% of the rated input as indicated on the rating plate. Otherwise the heat exchanger may prematurely fail.

IMPORTANT! The heating system will expand and contract during operation. **Allowances for expansion must be made between the connection to the heater and the gas supply.** A flexible gas connection of approved type is required. Flexible Type 1 gas connectors installed in one plane, without any sharp bends, kinks or twists.

IMPORTANT! Before connecting the gas supply to the burner control box:

- Verify that the heater’s gas type (as listed on the rating plate) matches that of your application and the installation complies with national and local codes and requirements of the local gas company.
- Unless otherwise noted on the rating plate, this infrared heater is designed and orificed to operate on standard BTU gas. Contact the factory if utilizing non-standard BTU gas.
- Check that the gas piping and service has the capacity to handle the total gas consumption of all heaters being installed, as well as any other gas appliances being connected to the supply line.
- Check that the main gas supply line is of proper diameter to supply the required fuel pressures.
- If utilizing used pipe, verify that its condition is clean and comparable to a new pipe. Test all gas supply lines in accordance with local codes.

Chart 3.7 • Manifold Pressure

Type of Gas	Required Manifold Pressure	Minimum Inlet Pressure	Maximum Inlet Pressure
Natural	3.5 Inches W.C	5.0 Inches W.C	14.0 Inches W.C
Liquefied Petroleum	10.0 Inches W.C	11.0 Inches W.C	14.0 Inches W.C

NOTE: Check manifold pressure at the tap on the gas valve. Small variations in manifold pressure (actual vs. published) may exist due to changing atmospheric conditions. Readings will be above atmospheric pressure.

Pressure Equivalents: 1 inch W.C. equals .058 oz/sq. in. equals 2.49 mbar.

To connect the gas:

⚠ WARNING



Failure to install, operate or service this appliance in the approved manner may result in property damage, injury or death. Only trained, qualified gas installation and service personnel may install or service this equipment.

The LS2 Series heater is equipped to connect to the Type 1 rubber gas connector (Included). **Do not connect the main gas line directly to the heaters gas inlet without the use of the flexible connector.** All piping must be installed in accordance with the requirements outlined in the National Fuel Gas Code ANSI/Z223.1 (latest edition) or CSA-B149.1. Support all gas piping with pipe hangers, metal strapping, or other suitable material. Do not rely on the heater to support the gas pipe.

⚠ WARNING



Always use two (2) opposing wrenches to tighten mating pipe connections to prevent excessive torque on the gas valve and manifold pipe. Excessive torque can damage the valve and/or misalign the orifice, resulting in fire, explosion, serious injury or death.

When connecting piping to the unit, the use of a thread joint compound is required. The thread compound (pipe dope) shall be resistant to the action of liquefied petroleum gas or any other chemical constituents of the gas to be conducted through piping. Use of Teflon® tape is not permitted.

Install ground joint union with a brass seat and a manual shut-off valve adjacent to the unit for emergency shut-off and easy servicing of controls. A 1/8" NPT plugged tap that is accessible for a test gauge connection is also recommended, as illustrated in figure 3.27.

A sediment trap must be installed in the supply line in the lowest spot prior to connecting to the heater. The trap length shall be at least three inches long. Ideally, the trap would be installed as close as possible to the shut-off, as shown in figure 3.27.

Connect the main gas supply line with an approved flexible connector or, if the authority having jurisdiction requires rigid piping, the use of approved swing joints may be used. If swing joints are utilized, the heater must be allowed to freely expand and contract without causing undue stress on the gas pipe.

The heater shall not be connected to the building piping system with rigid pipe or semi-rigid metallic tubing, including copper. When using such material, an intermediate connection device that allows for the heater expansion must be used.

The gas outlet must be in the same room as the appliance is installed, and must be accessible. It may not be concealed within or run through any wall, floor or partition. When installing the heater in a corrosive environment (or near corrosive substances), use a gas connector suitable for the environment. Do not use the gas piping to electrically ground the heater.

Installation of the Gas Line to the Heater

- ① Install a sediment trap / drip leg if condensation may occur at any point of the gas supply line. This will decrease the possibility of loose scale or dirt in the supply line entering the heater's control system and causing a malfunction. **NOTE:** High pressure gas above 14 Inches W.C. (water column pressure) requires a high pressure regulator and ball valve (optional).
- ② Form the Type 1 hose connector (supplied) into a smooth U-shape allowing a maximum of 14 in. between the flexible connector's end nuts (see figure 3.27).
- ③ Attach the ball valve (optional) to the gas supply pipe. Apply pipe compound to NPT adapter threads to seal the joint. Use only a pipe compound resistant to LP.
NOTE: Provide a 1/8 in. (.31 cm) NPT plugged tapping accessible for test gauge connection immediately upstream of gas connection to the heater (provided an optional ball valve).
- ④ Attach the Type 1 hose connector to the adapter and burner control box inlet. Seal the joints.
NOTE: Excessive torque on the manifold may misalign the orifice. **Always** use two wrenches to tighten mating pipe connections.
- ⑤ Final assembly must be tested for gas leaks according to CAN/CSA B149.1 Code and all local codes and/or Standards.

CAUTION

When using a Type 1 flexible gas connector, **do not** attach the connector nuts directly to the gas pipe supply. Connector nuts must be installed to an approved adapter.

⚠ WARNING



Testing for gas leaks with an open flame or other sources of ignition may lead to a fire or explosion and cause serious injury or death. Test in accordance with NFPA or local codes.

Figure 3.26 • 1/2" Type 1 Hose Gas Connection

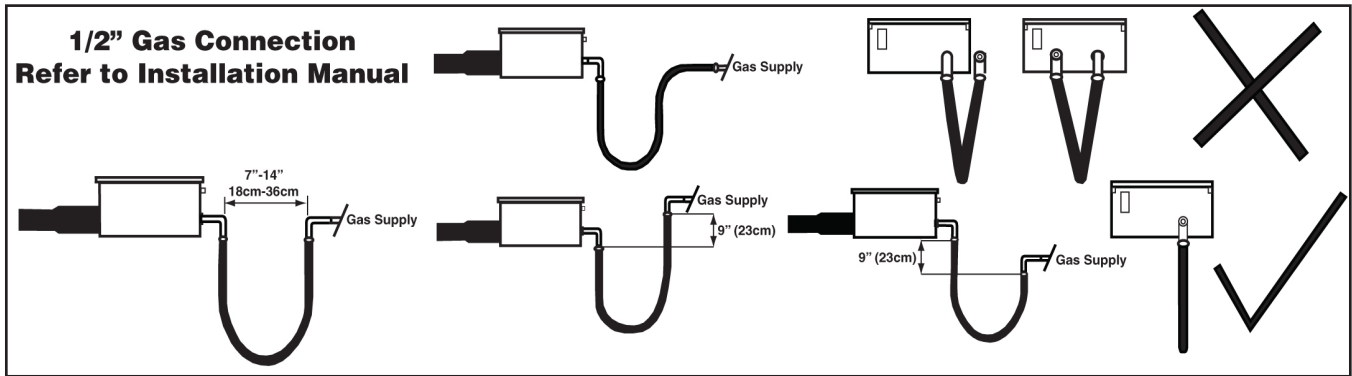


Figure 3.27 • Gas Connection (Flexible Gas Connection shown) • Side View

NOTE: Do not exceed 14 Inches W.C. to the appliance.

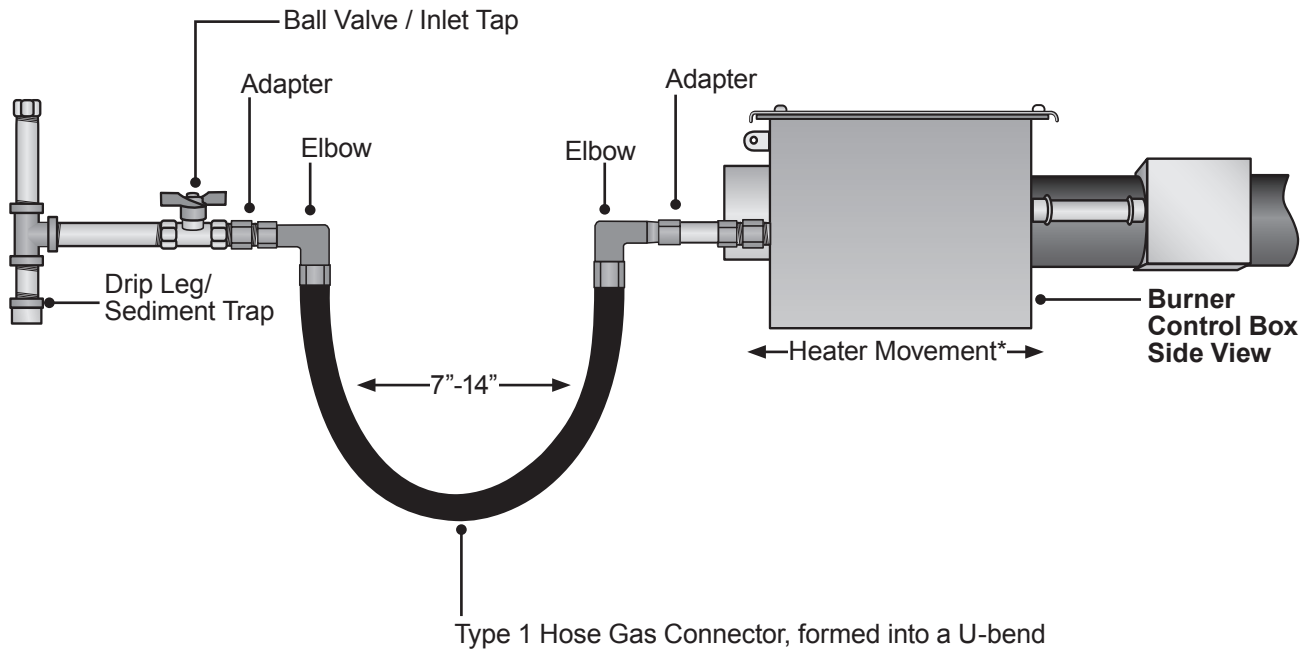
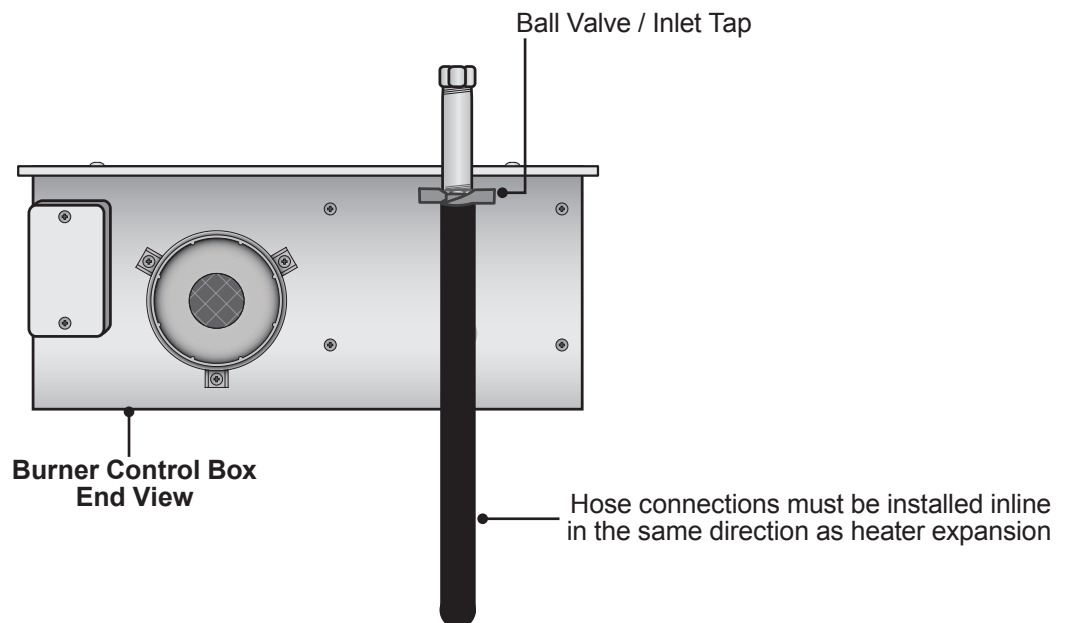


Figure 3.28 • Gas Connection (Flexible Gas Connection shown) • End View



*The tube heater expands and contracts during operation. Follow the installation instructions to ensure allowances are made for this movement. To ensure your safety, and comply with the terms of the warranty, all units must be installed in accordance with these instructions.

Leak Testing

⚠ WARNING



Testing for gas leaks with an open flame or other sources of ignition may lead to a fire or explosion and cause serious injury or death. Test in accordance with NFPA or local codes.

⚠ WARNING



Gas pressures to the appliance controls must never exceed 14 inches W.C. (1/2 PSI). Supply pressures greater than 14" W.C. can damage the controls, resulting in personal injury, property damage, or death.

Use a soap solution or equivalent for leak testing. Leak testing solution must be non-corrosive, and be rinsed off immediately after the leak test. Never test for leak with an open flame. Failure to comply could result in personal injury, property damage or death.

Always leak test final gas assembly for gas leaks according to the procedures outlined in NFPA 54 and all local codes and/or Standards.

For leak testing on pressures below 1/2 PSI

Before leak testing, close the field installed manual shut off valve shown on figure 3.31 on the supply line to isolate the gas valve from the pressure. **NOTE:** All factory installed gas connections have passed an approved leak test.

For leak testing on pressures above 1/2 PSI

When leak testing with pressures above 1/2 PSI (14 inches W.C.), the unit must be isolated from the supply pipe. Close the field installed manual shut off valve, disconnect the supply line to the unit, and temporarily cap the supply line for testing purposes.

⚠ WARNING



Improper installation, adjustment, alteration, service or maintenance can cause property damage, serious injury or death. Read and understand, the installation, operating and maintenance instructions thoroughly before installing or servicing this equipment. Only trained, qualified gas installation and service personnel may install or service this equipment.



Shock hazard. Disconnect power supply before making wiring connections to prevent electrical shock and equipment damage.

Any original factory wiring that requires replacement must be replaced with wiring material having a temperature rating of at least 105°C

All field installed wiring to the tube heater must be done in accordance with the national, state, provincial, local codes and to the guidelines in this manual. In the United States, refer to the most current revisions to the Electrical Code ANSI/NFPA 70 and in Canada refer to the most current revisions to the Canadian Electrical Code CSA C22.1 Part 1. The unit must be electrically grounded according to these codes. Line polarity must be observed when making field connections.

Electrical Requirements

- 120VAC-60 Hz, single-phase, 3-wire.
- 120VAC thermostat connection; 24VAC with optional relay transformer.
- Starting current 1.7 amps
- Running current 1.1 amps

⚠ WARNING



This heater must be installed and serviced by trained gas installation and service personnel only.

Do not bypass any safety features or the heater's built in safety mechanisms will be compromised.

- This heater must be electrically grounded in accordance with the Canadian Electrical Code C22.1 (latest edition).
- Applications must conform to the Canadian Electrical Codes C22.1 (latest edition) when an external electrical source is used.
- Refer to the rating label on heater for the required amperage rating.
- Under no circumstance is the electrical supply line to the heater to provide any assistance in the suspension of the heater.
- Neither the electrical supply line nor sprinkler heads shall be located within the minimum clearances to combustibles.

Thermostat

NOTE: Different thermostats operate according to their particular features. Refer to thermostat specifications for details.

The LS2 Series comes standard requiring a 120VAC connection to the thermostat. An optional 24VAC internal relay (24VAO) may be factory installed if the heater is to be controlled via a 24VAC thermostat. A 40VA transformer is necessary when using the 24VAOX option (figure 3.33B).

NOTE: A relay transformer may be used in lieu of the factory installed 24VAO option.

Wiring

⚠ WARNING

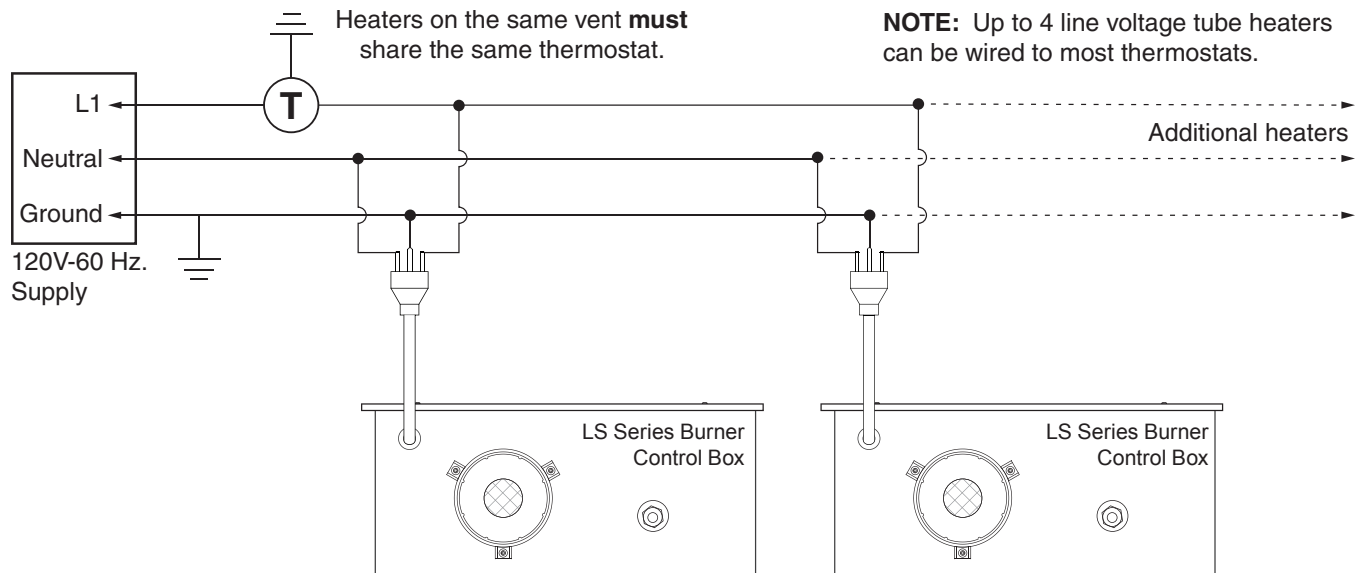


Electric Shock

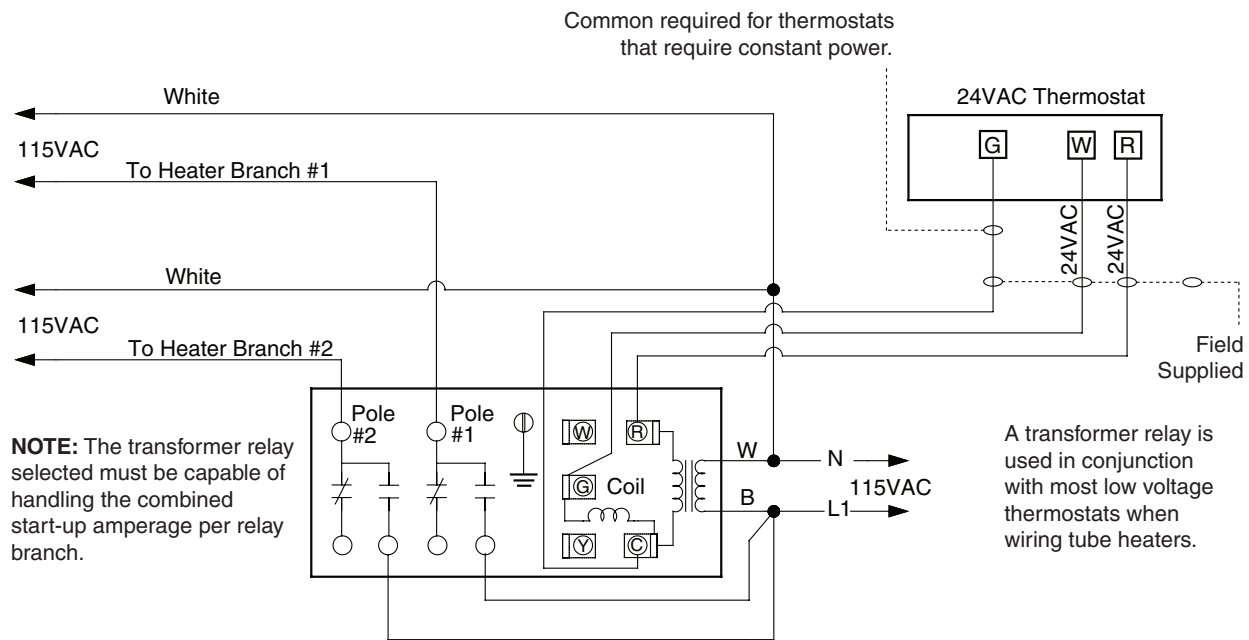
Field wiring to the tube heater must be connected and grounded in accordance with national, state, provincial, local codes and to the guidelines in the Tube Heater General Manual and Series Insert Manual. In the United States refer to the most current revisions to the ANSI/NFPA 70 Standard and in Canada refer to the most current revisions to the CSA C22.1 Part I Standard.

Figure 3.29 • Field Wiring Diagrams

A. 120V Single/Multiple Line Voltage Heater(s)



B. 24V Thermostat Control (requires optional combination relay transformer P/N: R8285B)

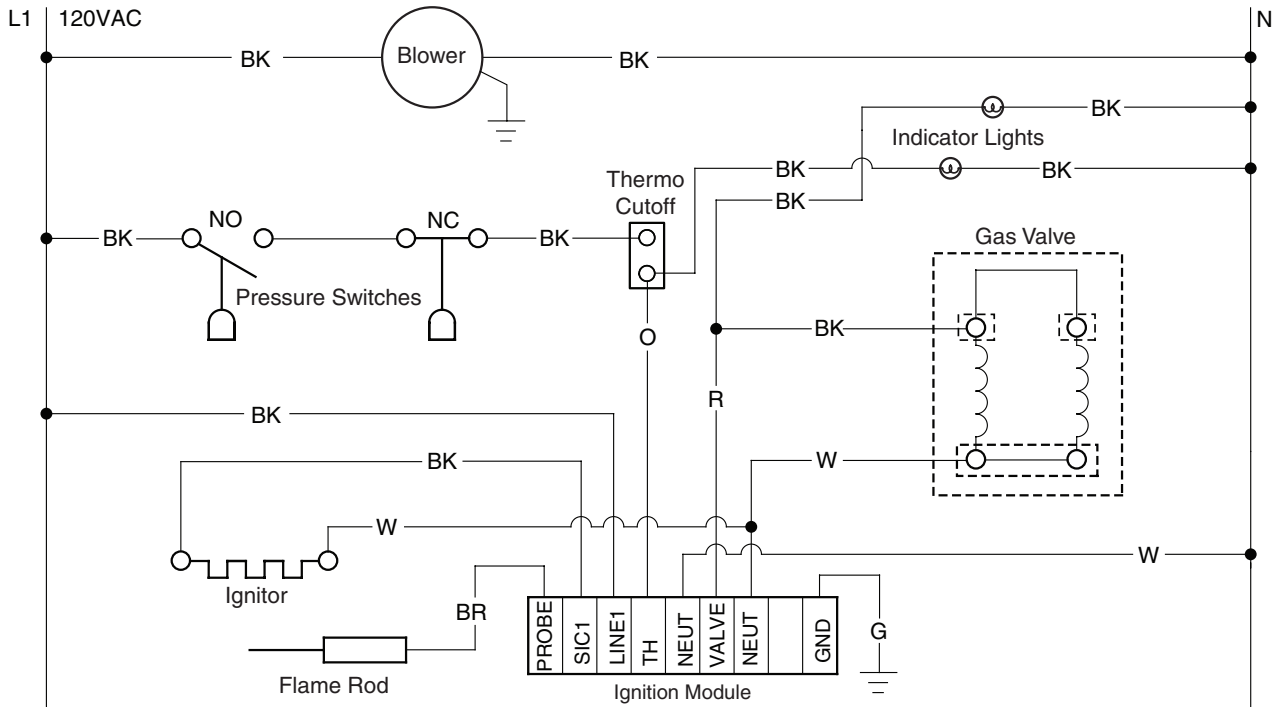


Before field wiring this appliance - Check existing wiring; replace if necessary.

NOTE: If any of the original wire supplied with the appliance must be replaced, it must be replaced with wiring material having a temperature rating of at least 105° C.

Figure 3.30 • LS Series Internal Wiring Diagrams

A. LS2 Series Ladder Diagram TP-351A with Thermo Cutoff



B. LS2 Series Block Diagram TP-351A with Thermo Cutoff

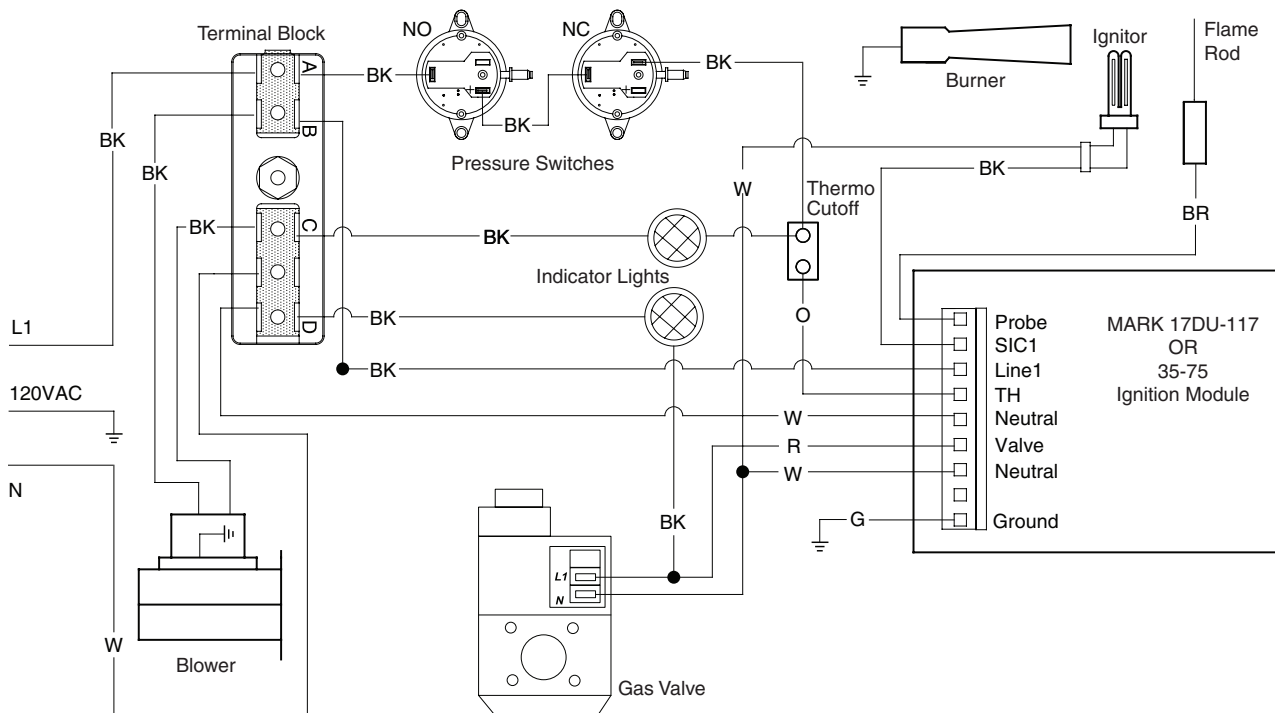
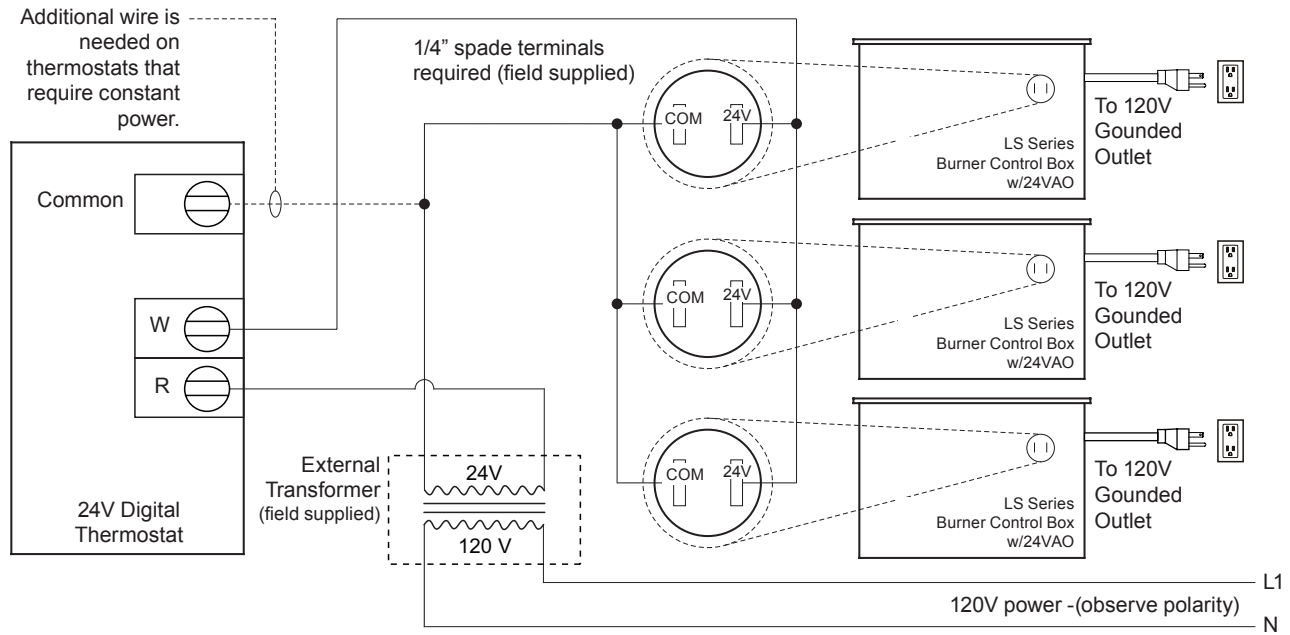
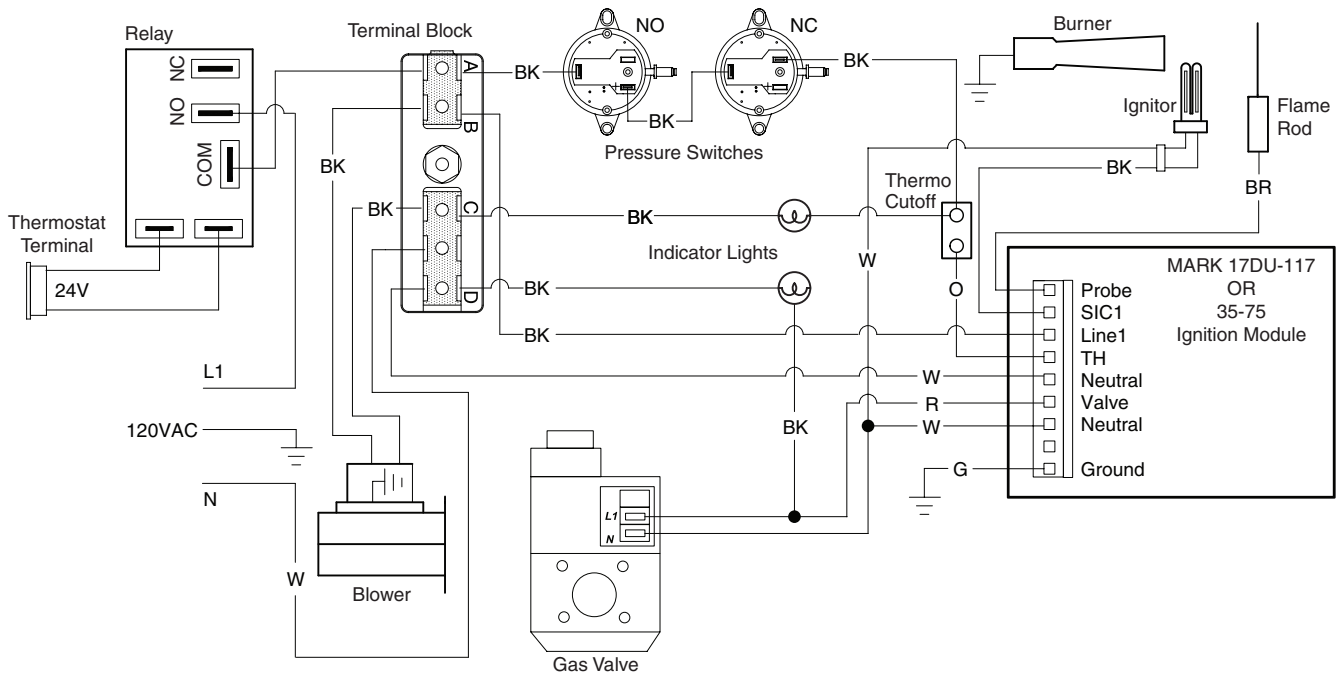


Figure 3.31 • LS Series Wiring Diagrams - Heaters with Optional 24VAO

A. LS2 Series Field Wiring Diagram - Internal Relay Option (24VAO)



B. LS2 Series Internal Block Wiring Diagram TP-351A with Thermo Cutoff - Internal Relay Option (24VAO)



Unit Start-up (Commissioning)

⚠ WARNING



Improper installation, adjustment, alteration, service or maintenance can cause property damage, serious injury, or death. This heater must be installed and serviced by a trained gas installation and service personnel only.

⚠ CAUTION



Shock Hazard.

Before attempting to perform any service or maintenance, turn electrical power to unit OFF at disconnect switch.

Pre-Start Up Checks

Verify that the installation conforms to all of the specifications of the manual, as well as with local, state, national, and provincial codes. In absence of local codes, the unit heater must be installed according to the current National Fuel Gas Code ANSI Z223.1 (NFPA 54). In Canada, the installation must conform to the current National Standard of Canada CSA-B149 Sections 1.

Prior to starting up the unit, verify that:

- ✓ The gas type listed on the rating label matches that of your application.
- ✓ The gas connections have been purged of air and properly leak tested.
- ✓ The voltage type and frequency listed on the rating label matches that of your application.
- ✓ The unit is properly grounded as per the National Electrical Code, ANSI/NFPA 70 or Canadian Electrical code CSA C22.1 Part 1.
- ✓ The unit is properly mounted to a permanent structure able to bear the weight of the unit.
- ✓ The proper mounting height is observed for the application.
- ✓ All clearance to combustible distances or service clearances are maintained.
- ✓ The unit is properly isolated or installed to prevent excessive vibration.
- ✓ The unit is level horizontally.
- ✓ Venting is properly installed in accordance with this manual and any applicable codes.
- ✓ Combustion air supply is sufficient to support proper operation at all times.

High Altitude Operation

⚠ WARNING



Explosion hazard. This heater must be converted by a trained gas installation and service personnel only. Failure to comply could result in personal injury, asphyxiation, death, and fire or property damage.

High altitude operation of this tube heater is approved, without modification, for elevations up to 6,000 feet (1,829 m) above MSL (sea level) in the United States. If the heater is being installed at an elevation above 6,000 ft, the input rate will have to be de-rated to ensure proper operation. The deration is achieved by a gas orifice change. Contact the factory for installations above these elevations.

Prior to leaving the Job Site

Prior to leaving the job site, verify that:

- ✓ Service access door is properly secured to the unit.
- ✓ The heater is clear of any objects that would interfere with the proper air circulation or that violate the listed clearance to combustibles.
- ✓ Manual gas shut off is ON.
- ✓ Electrical power is ON.
- ✓ Thermostat is set to desired temperature.
- ✓ Properly dispose of all packaging materials.
- ✓ Check to be sure you have all of your tools.
- ✓ Leave the Manual with the owner or end user.

4.0 Operation

⚠ WARNING



This appliance does not have a pilot ignition. It is equipped with an ignition device which automatically lights the burner. **Do not** attempt to light the system by hand.

BEFORE OPERATING, smell all around the appliance area for gas. Be sure to smell next to the floor because some gas is heavier than air and will settle to the floor. Refer to page 1 “If you smell gas” and on safety label affixed to the heater.

Do not use this appliance if any part has been under water. Immediately call a qualified service technician to inspect the appliance and to replace any part of the control system and any gas control which has been under water.

Operating Instructions

⚠ WARNING



Use only your hand to turn the manual shutoff. Never use tools. If the knob will not turn by hand, don't try to repair it; call a qualified technician. Force or attempted repair may result in a fire or explosion.

LIGHTING PROCEDURES:

- 1 Verify that service lid is secured.
- 2 Open (turn on) gas supply to the heater.
- 3 Close (turn on) electrical circuit (typically thermostat).
- 4 If the heater fails to light, turn off gas, open electrical circuit (set thermostat to lowest setting or to off). Wait five (5) minutes before repeating above steps.

SHUTDOWN PROCEDURES:

- 1 Open (turn off) electrical circuit.
- 2 Close (turn off) gas supply to the heater.
- 3 Wait five (5) minutes before relighting heater.

⚠ WARNING



This heater must be installed and serviced by trained gas installation and service personnel only.

Do not bypass any safety features or the heater's built in safety mechanisms will be compromised.

Sequence of Operation

Starting Circuit: Upon a call for heat, the fan is energized. Once operational static pressure is achieved, the differential switch will close initiating the ignition sequence. After a 5-second delay, the Glo-bar™ is energized for 45 seconds and the control allows the gas valve to open.

The trial for ignition is 8 seconds. If flame sense is not established within 8.5 seconds, the heater will attempt two (2) additional ignition sequences before proceeding to soft lockout. Soft lockout automatically retries after one (1) hour or the control can be reset by briefly interrupting the power source.

Running Circuit: After ignition, the flame rod monitors burner flame. If sense of flame is lost, the control immediately acts to reignite the gas-air mixture (identical to the starting sequence). If flame sense is not established within 8.5 seconds, the heater will attempt two (2) additional ignition sequences before proceeding to soft lockout. The control can be reset by briefly interrupting the power source.

Diagnostics

Lockout:

The controls will automatically lockout the heater system when an external or system fault occurs. There are two types of lockout:

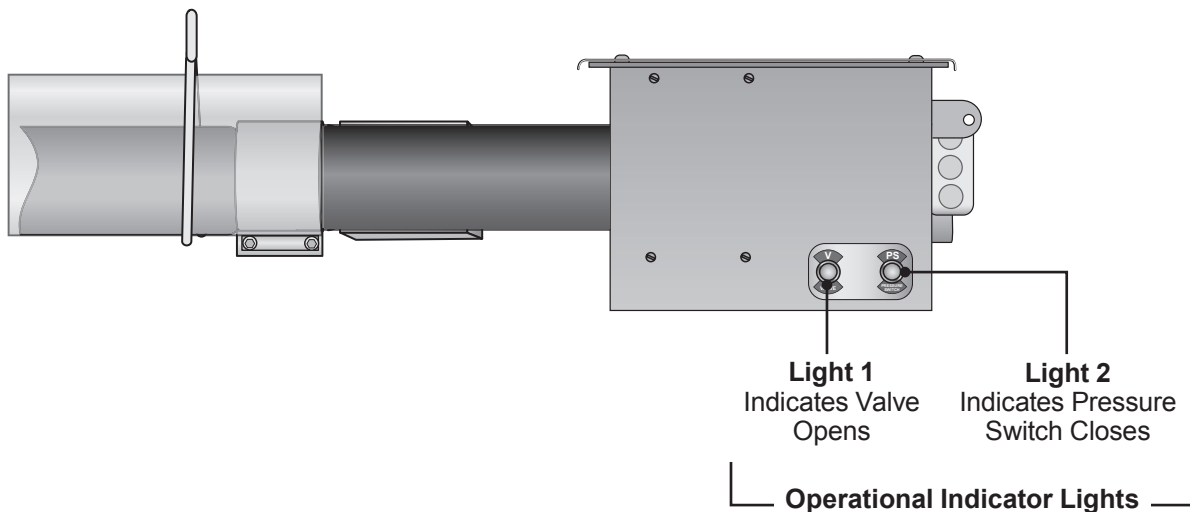
Soft Lockout: The heater will attempt to light three times. In the event of a failed attempt to light, (gas pressure, valve, no flame sense etc.), the heater will enter a soft lockout period for 15 minutes and then attempt to light three more times before entering Hard Lockout mode.

Hard Lockout: If proof of flame is not established, a component failure occurs or blockages are evident, the heater will enter hard lockout. If lockout occurs, the control can be reset by briefly interrupting the power source.

Operational Indicator Lights

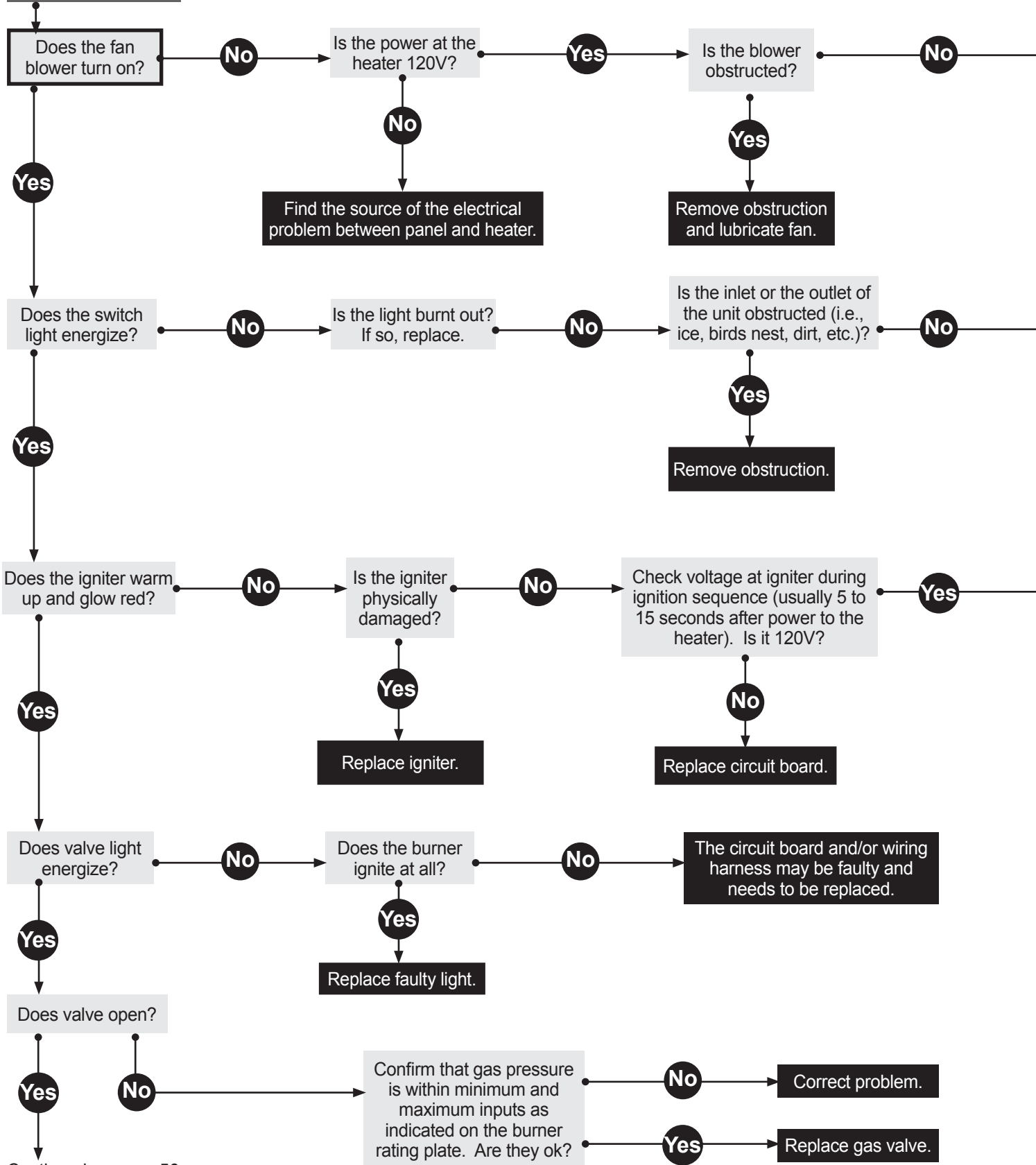
The externally located operational indicator lights are provided to assist in troubleshooting of the heater. Refer to the following pages for additional troubleshooting.

Figure 4.1 • Operational Indicator Lights



5.0 Troubleshooting Guide

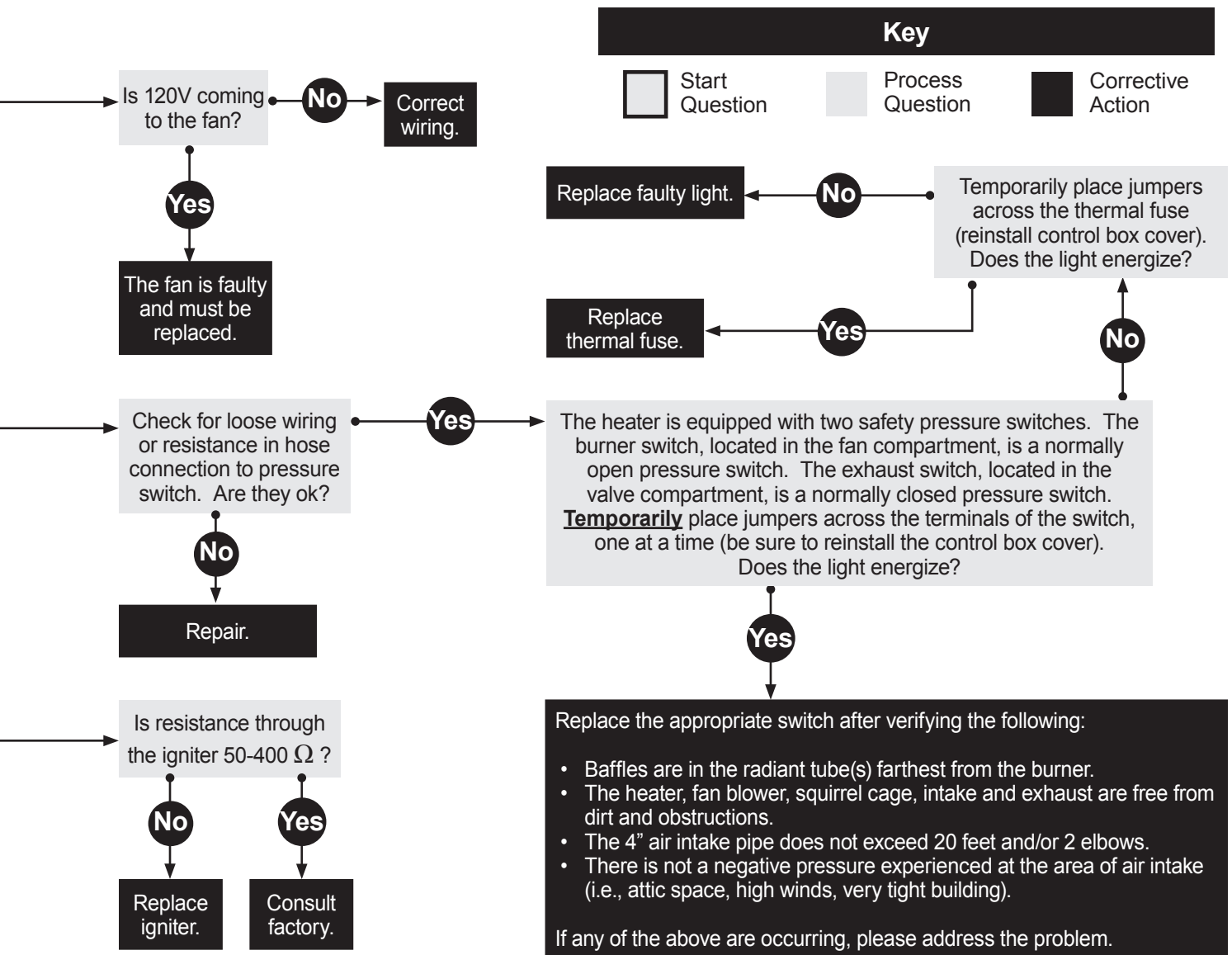
Turn up thermostat



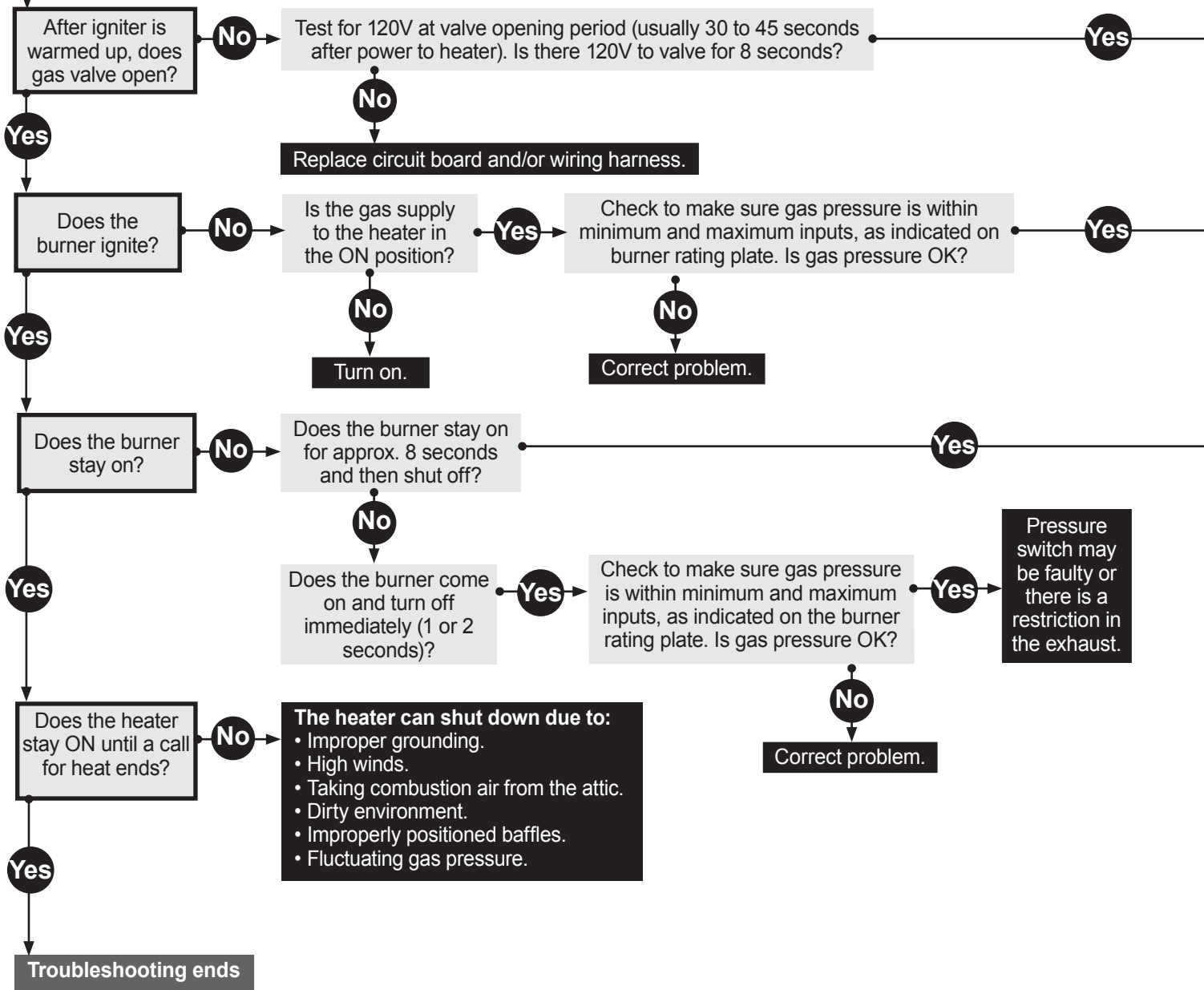
Continued on page 56.

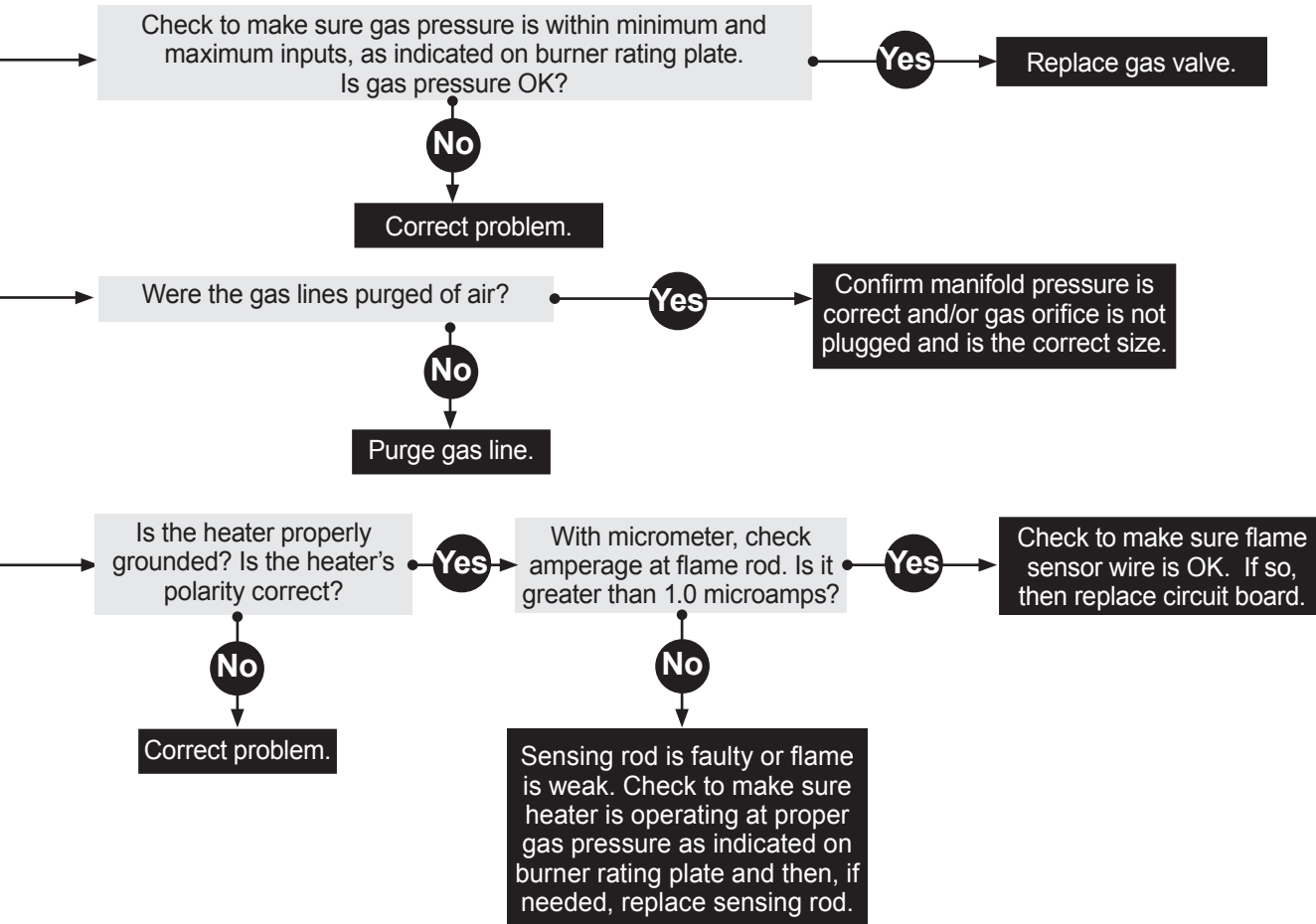
NOTICE

Bypassing any switch is intended for testing purposes only. Do not leave switch bypassed during normal operation or the heater's built-in safety mechanisms will be compromised.



Continued from page 54





6.0 Maintenance

⚠ WARNING



Personal injury or death may result if maintenance is not performed by properly trained gas installer or service personnel. Contact the installing distributor or place of purchase for service. **Do not operate heating system if repairs are necessary.**



Allow heater to cool prior to servicing.

Disconnect power to heater before servicing.

Use protective glasses when maintaining the heater.

Routine Inspection:

At least once per year, the heating system should be inspected and serviced by trained gas installation and service personnel only. This inspection should be performed at the beginning of the heating season to insure that all heater components are in proper working order and that the heating system operates at peak performance. Particular attention should be paid to the following items.

- **Blower Motor:** Annual oiling of the blower motor with SAE oil will extend bearing life significantly. Motors with sealed ball bearings (no oil ports) do not require oiling. Ensure that the squirrel cage in the blower is kept clean. If dirt becomes a problem, installation of outside air intake ducts for combustion is recommended.

Check lubrication instructions on motor. If oiling is required, add three to four drops of SAE 20 electric motor oil:

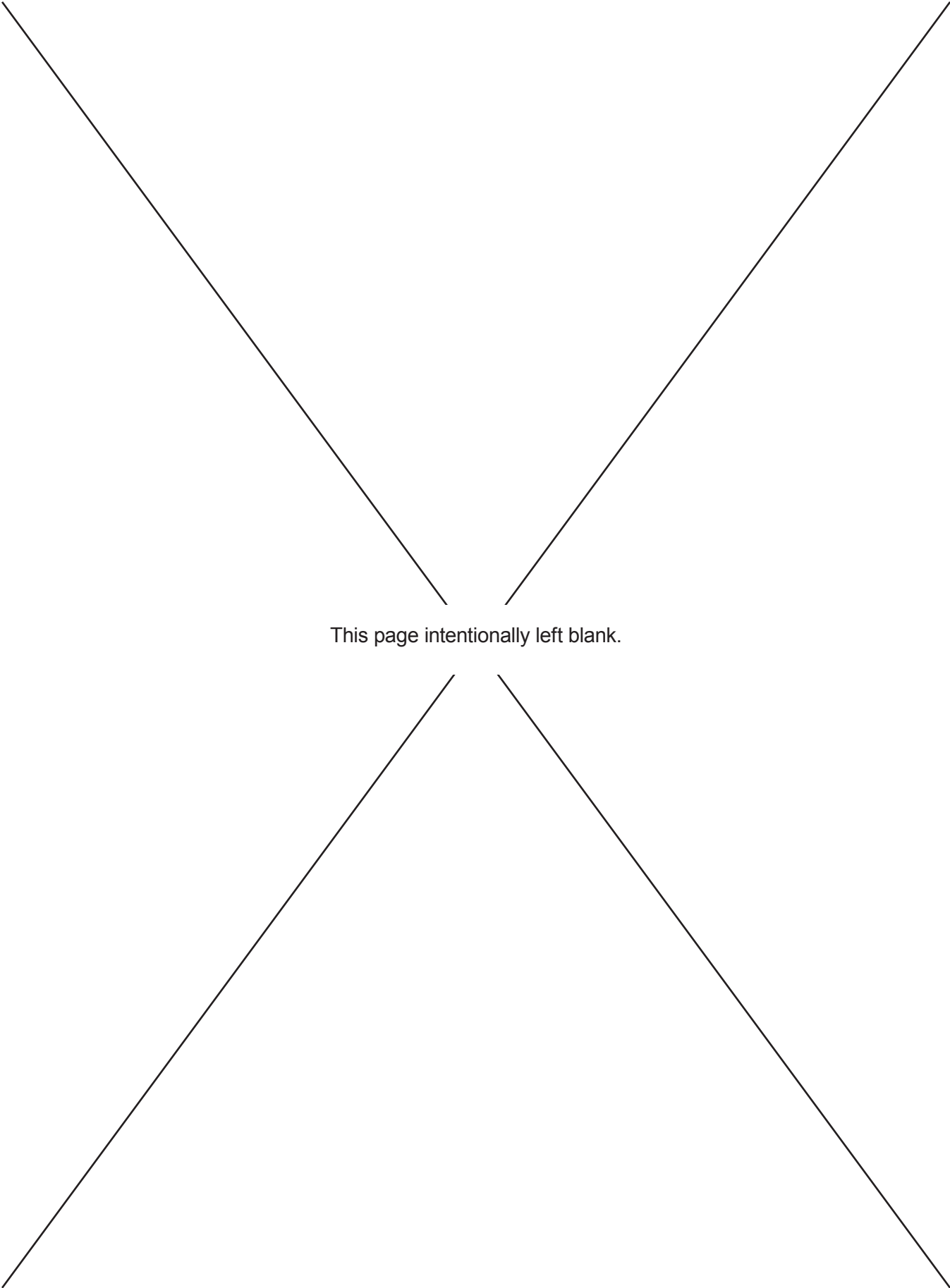
- After three years or 25,000 hours of operation (light-duty)
- After two years or 8,000 hours of operation (medium-duty)
- Annually or after 1,500 hours of operation (heavy-duty)

NOTICE

Never over-oil the motor, or premature failure may occur.

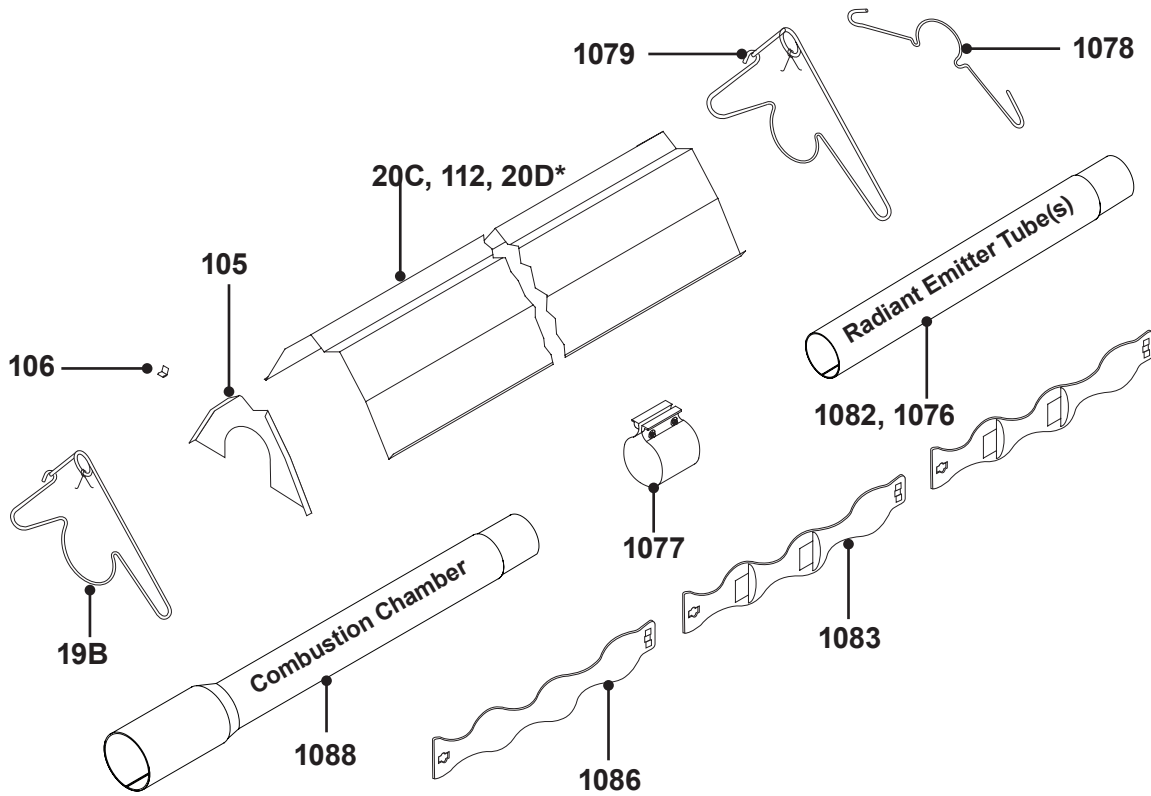
- **Vent pipe system:** Check the outside termination and the connections at the heater. Inspect the vent exhausts for leakage, damage, fatigue, corrosion and obstructions. If dirt becomes a problem, installation of outside air intake ducts for combustion is recommended.
- **Combustion air intake system** (when applicable): Check for blockage and/or leakage. Check the outside termination and the connection at the heater.
- **Heat exchangers:** Check the integrity of the heat exchangers. Replace if there are signs of structural failure. Check for corrosion and/or buildup within the tube exchanger passageways.
- **Burner:** Check for proper ignition, burner flame and flame sense. Flame should extend directly outward from burner without floating or lifting.
- **Wiring:** Check electrical connections for tightness and/or corrosion. Check wires for damage.
- **Gas Connection:** Inspect the integrity of the gas connection to the heater. Check for leaks, damage, fatigue or corrosion. Do not operate if repairs are necessary and turn off gas supply to the heater. Contact service personnel.
- **Reflectors:** Inspect the integrity of the reflectors for damage, separation, missing or misaligned sections. Do not operate if repairs are necessary. Repair or replace as required per the general installation manual. To maintain effective infrared heating, always keep both sides of the reflector clean. Dirt and dust can be vacuumed up or wiped with a soap and water solution. Use metal polish if the reflectors are severely dirty.

Contact service personnel if repairs are necessary. Do not operate unit.



This page intentionally left blank.

Figure 6.2 • Tube & Reflector Components



Part No.	Description	Part No.	Description
TP-217	Pressure Switch Barb	TP-333	Black 72 in. 120V 3-Prong Power Cord
TP-218	Exhaust Pressure Switch Vinyl Sensing Tube	TP-334*	Yellow 24V Control Wire (supplied w/ upgrade)
TP-219	Burner Pressure Switch Vinyl Sensing Tube	TP-351A	Micro-60-24 Diagnostic Circuit Board
TP-220	4" Stainless Steel Tube Clamp	TP-352A	3-Piece Wire Harness Set for Micro 60 Board
TP-221	Hot Surface Igniter Holder Gasket	TP-383	Hot Surface Igniter Plate
TP-222	Flame Rod	TP-1013	Ignition Cover Plate
TP-222A	Flame Rod Wire	TP-1015	Fan Blower (25-30 MBH)
TP-223	Gas Manifold	TP-1021	Ignition Cover Plate Gasket
TP-240	VR4205M-1324 Gas Valve Assembly - Nat. Gas	TP-1033	Thermal Cutoff Fuse
TP-241	VR4205M-1316 Gas Valve Assembly - Prop Gas	LS-60K59	N.C. Exhaust Pressure Switch (25-30 MBH)
TP-61K	N.O. Burner Pressure Switch (25 MBH)	TP-60K1	N.C. Exhaust Pressure Switch (40-50 MBH)
TP-61K16	N.O. Burner Pressure Switch (30 MBH)	TP-1070	V2 Burner (White) - consult factory
TP-61K35	N.O. Exhaust Pressure Switch (40 & 50 MBH)	TP-1076	5 ft. x 3 in. Coated Aluminized Tube
TP-301	Burner Control Box Center Panel	TP-1077	3 in. Tube Clamp
TP-302	End Panel, Left	TP-1078	3 in. Reflector Center Support (RCS)
TP-302A	End Panel, Left with 24VAO Option	TP-1079	3 in. Wire Hanger with Tension Spring
TP-303	End Panel, Right	TP-1082	10 ft. x 3 in. Coated Aluminized Tube
TP-304	Burner Control Box Outer Shell	TP-1083	36 in. Pressure Baffle (2 required)
TP-321	Ignition Plate Gasket	TP-1086	36 in. Heat Baffle Section
TP-328	Yellow 120V Operational Indicator Lights	TP-1088	4" to 3" O.D. 10 Ft. Combustion Chamber

7.0 Limited Warranty

One-Year Limited Warranty. Radiant Tube Heaters covered in this manual, are warranted by Brant Radiant Heaters Limited to the original user against defects in workmanship or materials under normal use for one year after date of purchase. Any part which is determined to be defective in material or workmanship and returned to an authorized service location, as Brant Radiant Heaters Limited designates, shipping costs prepaid, will be, as the exclusive remedy, repaired or replaced at Brant Radiant Heaters Limited's option. For limited warranty claim procedures, see PROMPT DISPOSITION below. This limited warranty gives purchasers specific legal rights which vary from jurisdiction to jurisdiction.

Additional Limited Warranty. In addition to the above mentioned one-year warranty, Brant Radiant Heaters Limited warrants the original purchaser an additional extension on the combustion chamber, radiant tubes and stainless steel burner. This extension excludes electrical/purchased components. See specific product warranties on last page of the Series Manual.

General Conditions. The Company will not be responsible for labour charges for the analysis of a defective condition of the heater or of the installation of replacement parts. The warranties provided herein will not apply if the input of the heater exceeds the rated input at time of manufacturing or if the heater in the judgement of the Company has been subjected to misuse, excessive dust, improper conversion, negligence, accident, corrosive atmospheres, excessive thermal shock, excessive vibration, physical damage to the heater, alterations by unauthorized service personnel, operation contrary to the Company's instructions or if the serial number has been altered, defected, or removed. The Company shall not be liable for any default or delay in the performance of these warranties caused by contingency beyond its control, including war, government restriction or restraints, strikes, fire, flood, short or reduced supply of raw materials, or parts.

The warranties herein shall be null and void if the heater is not installed by a competent heating contractor and/or if the heater is not installed according to Company instructions, normal industry practices and/or if the heater is not maintained and repaired according to Company instructions. Normal product degradation and wear (rust, oxidation, etc.) does not constitute a material defect and applicable warranty claim.

Limitation of Liability. To the extent allowable under applicable law, Brant Radiant Heaters Limited's liability for consequential and incidental damages is expressly disclaimed. Brant Radiant Heaters Limited's liability in all events is limited to and shall not exceed the purchase price paid.

Warranty Disclaimer. Brant Radiant Heaters Limited has made a diligent effort to provide product information and illustrate the products in this literature accurately; however, such information and illustrations are for the sole purpose of identification, and do not express or imply a warranty that the products are merchantable, or fit for a particular purpose, or that the products will necessarily conform to the illustrations or descriptions. Except as provided below, no warranty or affirmation of fact, expressed or implied, other than as stated in the "LIMITED WARRANTY" above is made or authorized by Brant Radiant Heaters Limited.

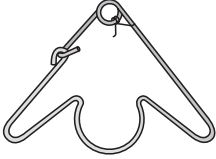
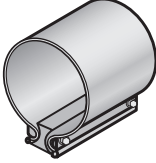



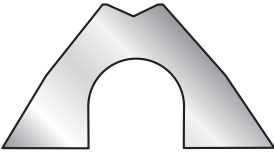
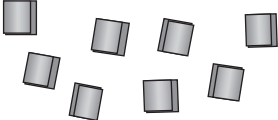


Product Suitability. Many jurisdictions have codes and regulations governing sales, construction, installation, and/or use of products for certain purposes, which may vary from those in neighboring areas. While Brant Radiant Heaters Limited attempts to assure that its products comply with as many codes, it cannot guarantee compliance, and cannot be responsible for how the product is installed or used. Before purchase and use of the product, installation, and use will comply with them. Certain aspects of disclaimers are not applicable to consumer products: e.g., (a) some jurisdictions do not allow the exclusion or limitation of incidental or consequential damages, so the above limitation or exclusion may not apply to you; (b) also, some jurisdictions do not allow a limitation on how long an implied warranty lasts, consequently the above limitation may not apply to you; and (c) by law, during the period of this limited warranty, any implied warranties of implied merchantability or fitness for a particular purpose applicable to consumer products purchased by consumers, may not be excluded or otherwise disclaimed.

Prompt Disposition. Brant Radiant Heaters Limited will make a good faith effort for prompt correction or other adjustment with respect to any product which proves to be defective within limited warranty. For any product believed to be defective within limited warranty, first write or call dealer from whom the product was purchased. Dealer will give additional directions. If unable to resolve satisfactorily, write to Brant Radiant Heaters Limited at address below, giving dealer's name, address, date and number of the dealer's invoice, and describe the nature of the defect. Title and risk of loss pass to buyer on delivery to common carrier. If product was damaged in transit to you file claim with carrier.

© 2022 Brant Radiant Heaters Limited
34 Scott Avenue • Paris, Ontario, Canada N3L 3R1
Phone (519) 442-7823 Fax (519) 442-7321
www.brantradiant.com • sales@brantradiant.com

8.0 Kit Contents

Chart 8.1 • Kit Contents Check List - Reference the length column for your model.

LS2 Series Kit Contents					
<p>TP-1079 3" Hanger with Reflector Tension Spring</p> 	<p>TP-220 4" Stainless Steel Tube Clamp</p>  <p>TP-1077 3" Tube Clamp</p>	<p>**RH-1 Type 1 Hose Gas Connector 1/2"</p> 	<p>LS2 Series Installation, Operation and Maintenance Manual F/N: LIOLS2</p> 		
<p>TP-1078 3" Reflector Center Support (RCS)</p> 	<p>TP-105 Reflector End Cap</p> 	<p>TP-106 Reflector End Cap Clips</p> 			
<p>TP-1083 3" x 33" Stainless Steel Tabbed Pressure Baffles</p> 		<p>TP-1086 3" x 33" Stainless Steel Heat Baffle</p> 			
Part No.	Description	10 ft.	15 ft.	20 ft.	30 ft.
RH-1	Type 1 Hose Gas Connector 1/2"	1	1	1	1
TP-105	Reflector End Cap	2	2	2	2
TP-106	Reflector End Cap Clips	8	8	8	8
TP-220	4" Tube Clamp	1	1	1	1
TP-1077	3" Tube Clamp	0	1	1	2
TP-1078	3" Reflector Center Support	1	1	2	3
TP-1079	3" Hanger w/ Tension Spring	2	3	3	4
TP-1083	3" x 33" Stainless Steel Tabbed Pressure Baffles	2	2	2	2
TP-1086	3" x 33" Stainless Steel Heat Baffle	1	1	1	1
LIOLS2	LS2 Series Installation Manual	1	1	1	1
Filled By:					

Approvals

- ANSI Z83.20b and CSA 2.34.
- Indoor approval.
- Certain models are residentially Certified to CSA No. 7-89.
- Outdoor approval with OD-Kit.
- Commercial approval.

Limited Warranty

- 1 year - Burner box components.
- 3 years - Combustion and radiant tubes.
- 5 years - Stainless steel burner.



© 2022 Brant Radiant Heaters, Ltd.
 34 Scott Avenue, • Paris, ON, Canada N3L 3R1
 Phone: (519) 442-7823 Fax: (519) 442-7321
 www.brantradiant.com • sales@brantradiant.com

