

# SV SERIES

## INFRA-RED VACUUM TUBE HEATER

### OPERATION, INSTALLATION, MAINTENANCE AND PARTS MANUAL



#### WARNING

Improper installation, adjustment, alteration, service or maintenance can cause property damage, injury or death. Read the installation, operating and maintenance instructions thoroughly before installing or servicing this equipment.

#### FOR YOUR SAFETY!

IF YOU SMELL GAS:

1. Open windows.
2. Do not touch electrical switches.
3. Extinguish any open flame.
4. Immediately call your gas supplier.

#### CONSIGNES DE SÉCURITÉ !

SI VOUS SENTEZ UNE ODEUR DE GAZ:

1. Ouvrez les fenêtres.
2. Ne touchez pas aux interrupteurs électriques.
3. Éteignez toute flamme nue.
4. Contactez immédiatement votre compagnie de gaz.

Do not store or use gasoline or flammable vapours and liquids in the vicinity of this or any other appliance.

Il est interdit d'utiliser des liquides inflammables ou dégageant des vapeurs inflammables, à proximité de tout appareil fonctionnant au gaz.



## FORWARD



### WARNING

THIS HEATER MUST BE INSTALLED AND SERVICED BY TRAINED GAS INSTALLATION AND SERVICE PERSONNEL ONLY. READ AND UNDERSTAND THESE INSTRUCTIONS THOROUGHLY BEFORE ATTEMPTING TO INSTALL, OPERATE OR SERVICE THIS HEATER. FAILURE TO COMPLY WITH THESE WARNINGS AND INSTRUCTIONS, AND THOSE ON THE HEATER, COULD RESULT IN PERSONAL INJURY, DEATH, FIRE, ASPHYXIATION, AND/OR PROPERTY DAMAGE. RETAIN THESE INSTRUCTIONS FOR FUTURE REFERENCE.

### Approval Standards and Certifications



Brant Radiant Heaters Limited heaters are design certified by the CSA International and comply with the National Standards of Canada.

<sup>TM</sup>Trade-mark of Canadian Standards Association

### CAUTION

ANY ALTERATION OF THIS SYSTEM OR OF THE FACTORY-AUTHORIZED COMPONENTS AS SPECIFIED IN THIS MANUAL OR BY BRANT RADIANT HEATERS LIMITED VOIDS ALL CERTIFICATIONS AND WARRANTIES.

Brant Radiant Heaters Limited  
P.O. Box 395, 34 Scott Avenue - Paris, Ontario N3L 3T5 - Telephone: (519) 442-7823  
Fax: (519) 442-7321 - Customer Service: 1-800-387-4778  
[www.brantradiant.com](http://www.brantradiant.com)

# TABLE OF CONTENTS

## 1. SAFETY INFORMATION

## 2. INSTALLATION

- 2.1 Design Criteria
- 2.2 Prechecks
- 2.3 Heater Hanging
- 2.4 Tube Assembly
- 2.5 Reflector Assembly
- 2.6 Optional Side Shield Installation
- 2.7 Optional Exchanger “L” or “U” Configuration
- 2.8 Flue Venting
- 2.9 Installation for Unvented Operation (Optional)
- 2.10 Combustion Air Requirements
- 2.11 Gas Supply
- 2.12 Allowance for Expansion
- 2.13 Electrical Requirements
- 2.14 Lighting Instructions
- 2.15 Shutdown Instructions

## 3. THEORY OF OPERATION

- 3.1 Single-stage Models

## 4. SERVICE

- 4.1 Maintenance
- 4.2 Gas Valve Testing
- 4.3 General Troubleshooting

## 5. PARTS LIST

- 5.1 Basic Part List
- 5.2 Optional Parts

# 1 SAFETY INFORMATION



## WARNING

### NOT FOR RESIDENTIAL USE

Do not use in the home, sleeping quarters, attached garages, etc.



## WARNING

This is not an explosion-proof heater. Where there is the possibility of exposure to flammable vapors, consult the local fire marshal, the fire insurance carrier or other authorities for approval of the proposed installation.

This infra-red heater is designed for use in industrial and commercial buildings such as warehouses, manufacturing plants, aircraft hangars, service garages, etc.

Brant Radiant Heaters Limited cannot anticipate every use which may be made of their heaters. Check with your local gas supplier if you have questions about local regulations.

The following information should be reviewed before installing this heater:

- \* Check the CSA rating label on the heater to verify the minimum clearances to combustibles and the proper gas to be used.
- \* The installation of this heater must conform with local building codes or, in the absence of local codes, with the current CAN/CSA B149.1 and 2 Codes and with the Canadian Electrical Code C22.1-latest edition.
- \* In public garages the heaters must be installed in accordance with the Canadian Electrical Code C22.1-latest edition when an external electrical source is utilized.
- \* This is not an explosion-proof heater. Where there is the possibility of exposure to flammable vapors, consult local fire marshal or other authorities for approval of the proposed installation.
- \* In aircraft hangars, the heater must be installed at least ten feet (3 m) above the upper surface of wings or engine enclosures of the highest aircraft which may be stored in the hangar. In areas adjoining the aircraft storage area, the heaters must not be installed less than eight feet (2.4 m) above the floor. Also, the heaters must be located to prevent damage to the sections of the aircraft, cranes, scaffolds or other movable objects.
- \* Under no circumstances is either the gas supply line or the electrical supply line to the heater to provide any assistance in the suspension of the heater.
- \* The weight of the heater must be entirely suspended from a permanent part of the building structure having adequate load characteristics.
- \* Neither the gas supply line, electrical supply line nor sprinkler heads shall be located in or near the path of the flue products from the heater.
- \* If wind conditions in the space are such that visible swaying of the heater is apparent, the control box must be rigidly mounted.
- \* If chlorinated or fluorinated contaminants are present in the area where the heater is installed, then noncontaminated air for combustion must be ducted to the heater. Sources of contaminants are refrigerants, solvents, adhesives, paints, degreasers, paint removers, lubricants, pesticides, etc.
- \* If vaporized solvents are allowed to contact the heater's HOT exchanger tube, noxious fumes may result. Chemicals must be properly stored, per manufacturers instructions. Ventilation requirements, as outlined by local codes, must be maintained.
- \* Signs should be posted in storage areas to specify maximum stacking height allowed in order to maintain clearance to combustibles.

# 1 SAFETY INFORMATION



## WARNING

Failure to comply with the stated clearance to combustibles could result in personal injury, death and/or property damage.



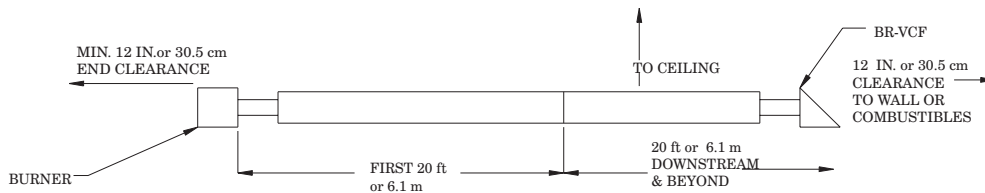
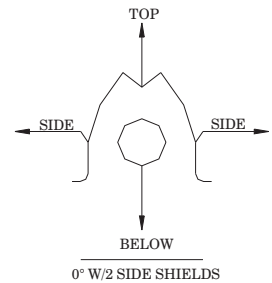
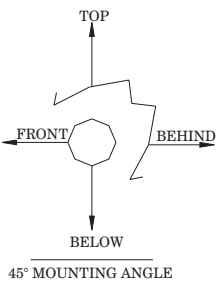
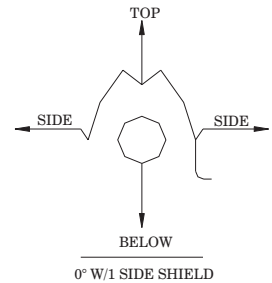
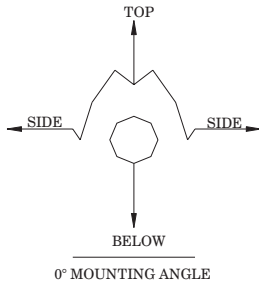
## WARNING

This heater should be installed so that the minimum clearances to vehicles, as marked on the heater, will be maintained. If vehicles lifts are present, ensure that these clearances will be maintained from the highest raised vehicle.

For the safe installation of this heater, the following table contains clearances that must be maintained:

### CLEARANCES TO COMBUSTIBLES IN. & CM / DÉGAGEMENTS AUX MATIÈRES COMBUSTIBLES PCE & CM

MODEL NO.	MOUNTING ANGLE	SIDE				TOP		BELOW	
		BEHIND		IN FRONT					
MODÈLES	ANGLE DE MONTAGE	CÔTE				DESSUS		DESSOUS	
		ARRIÈRE		AVANT					
UNITS	DEGREES	IN. PCE	CM CM	IN. PCE	CM CM	IN. PCE	CM CM	IN. PCE	CM CM
SV(20,30,40)-50 (N, P)	0°	9	22.9	9	22.9	6	15.2	47	119.4
W/1 SIDE SHIELD	45°	8	20.3	39	99.1	10	25.4	47	119.4
W/2 SIDE SHIELDS	0°	8	20.3	29	73.7	6	15.2	47	119.4
SV(20,30,40)-60 (N, P)	0°	9	22.9	9	22.9	6	15.2	47	119.4
W/1 SIDE SHIELD	45°	8	20.3	39	99.1	10	25.4	47	119.4
W/2 SIDE SHIELDS	0°	8	20.3	29	73.7	6	15.2	47	119.4
SV(20,30,40)-75 (N, P)	0°	9	22.9	9	22.9	6	15.2	47	119.4
W/1 SIDE SHIELD	45°	8	20.3	39	99.1	10	25.4	60	152.4
W/2 SIDE SHIELDS	0°	8	20.3	29	73.7	6	15.2	60	152.4
SV(20,30,40,50)-100 (N, P)	0°	14	35.6	14	35.6	6	15.2	66	167.6
W/1 SIDE SHIELD	45°	8	20.3	39	99.1	10	25.4	66	167.6
W/2 SIDE SHIELDS	0°	8	20.3	29	73.7	6	15.2	66	167.6
SV(30,40,50,60)-125 (N, P)	0°	20	50.8	20	50.8	6	15.2	76	193
W/1 SIDE SHIELD	45°	8	20.3	58	147.3	10	25.4	76	193
W/2 SIDE SHIELD	0°	8	20.3	42	106.7	6	15.2	76	193
20 ft or 6.1 m DOWNSTREAM OF BURNER	0°	7	17.8	7	17.8	6	15.2	30	76.2
SV(40,50,60)-150 (N, P)	0°	24	61	24	61	6	15.2	81	205.7
W/1 SIDE SHIELD	45°	8	20.3	58	147.3	10	25.4	81	205.7
W/2 SIDE SHIELDS	0°	8	20.3	42	106.7	6	15.2	81	205.7
SV(40,50,60,70)-175 (N, P)	0°	34	86.4	34	86.4	6	15.2	92	233.7
W/1 SIDE SHIELD	45°	8	20.3	63	160	10	25.4	92	233.7
W/2 SIDE SHIELDS	0°	8	20.3	50	127	6	15.2	92	233.7
SV(50,60,70,80)-200 (N, P)	0°	41	104.1	41	104.1	6	15.2	94	238.8
W/1 SIDE SHIELD	45°	8	20.3	63	160	10	25.4	94	238.8
W/2 SIDE SHIELDS	0°	8	20.3	54	137.2	6	15.2	94	238.8
SV(60,70,80)-225 (N, P)	0°	41	104.1	41	104.1	6	15.2	94	238.8
W/1 SIDE SHIELD	45°	8	20.3	63	160	10	25.4	94	238.8
W/2 SIDE SHIELDS	0°	30	76.2	30	76.2	6	15.2	94	238.8
20 ft or 6.1 m DOWNSTREAM OF BURNER	0°	11	27.9	11	27.9	6	15.2	44	111.8



Shielded Accessory Exchanger Elbows or "U" Bends do not alter clearances  
Unshielded Elbow or "U" Bend Top Clearance is 18" or 45.7 cm

# 1 SAFETY INFORMATION

The clearance-to-combustible measurements represent an alcove or clearance box with vertical and horizontal planes. See figure 1.1.

Example: SV-40-150 clearances as stated at 0° mounting-  
Top 6" or 15.2cm  
Side 24" or 61cm  
Below 81" or 205.7cm

Note: Combustible material MUST NOT be placed within the confines of the clearance box.  
Observe all WARNINGS listed in installation instructions and stated on heater control box.

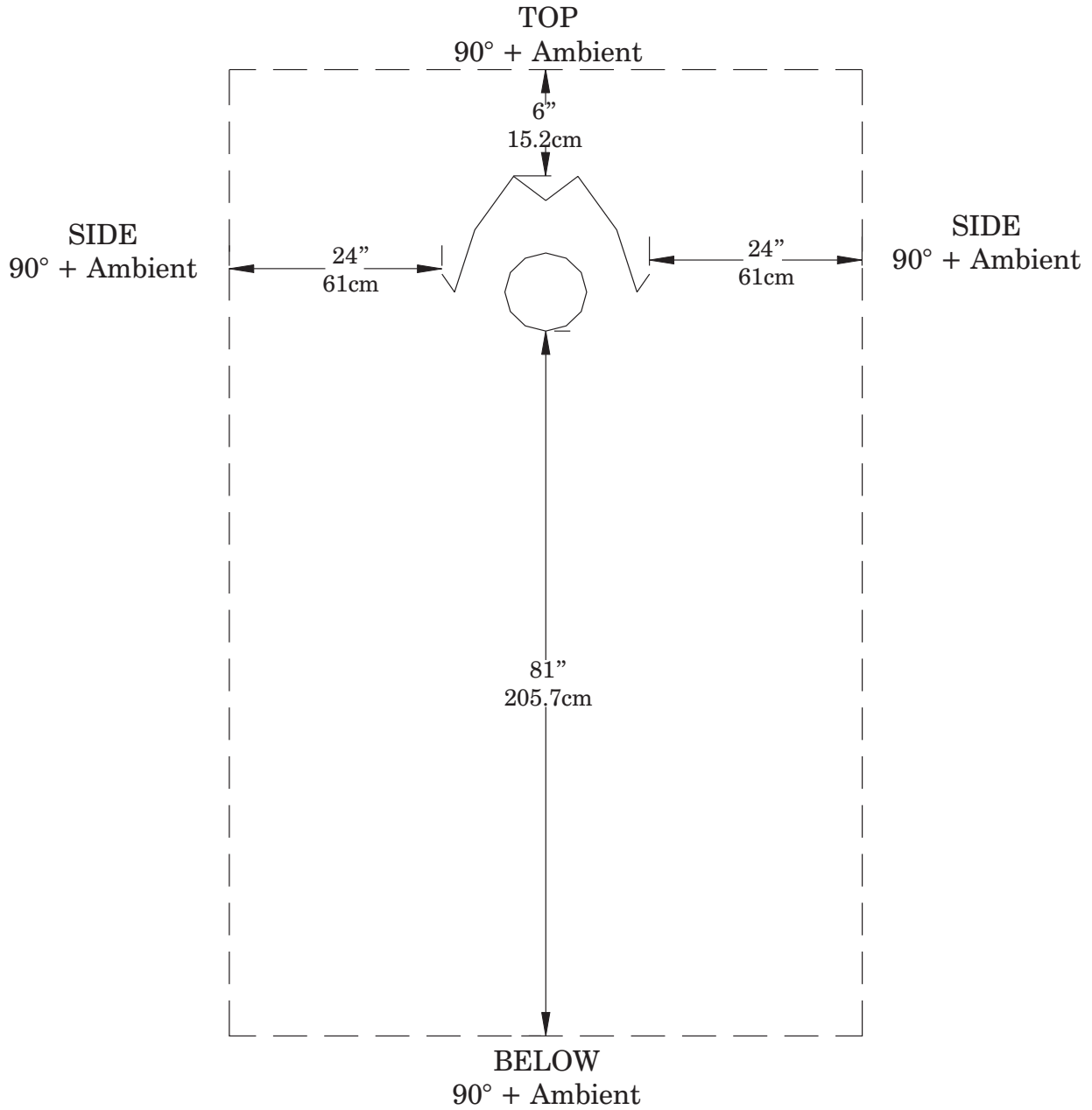


Figure 1.1

## 2 INSTALLATION

### 2.1 Design Criteria

Perimeter mounting of these infra-red heaters provides for the most efficient installation. In figure 2.1.1, the heaters are mounted at the perimeter of the space to be heated. Refer to the Heater Installation Chart for the recommended distances on

the models being installed. Buildings that require the rows of heaters to be farther apart than the recommended distance in the chart may need additional heaters placed in the center of the space.

HEATER INSTALLATION CHART								
MODEL NO.	TYPICAL MOUNTING HEIGHT		DISTANCE BETWEEN HEATERS DIM "A"		DISTANCE BETWEEN HEATER ROWS DIM "B"		MAXIMUM DISTANCE BETWEEN HEATER AND WALL DIM "C"	
	FT.	METERS	FT.	METERS	FT.	METERS	FT.	METERS
SV (20, 30, 40) 50 (N, P)	10-15	3.0-4.6	10-25	3.0-7.6	12-60	3.7-18.3	16	4.9
SV (20, 30, 40) 60 (N, P)	11-16	3.4-4.9	11-30	3.4-9.1	14-65	4.3-19.8	17	5.2
SV (20, 30, 40) 75 (N, P)	12-18	3.7-5.5	12-35	3.7-10.7	15-70	4.6-21.3	20	6.1
SV (20, 30, 40, 50) 100 (N, P)	13-20	4.0-6.1	13-40	4.0-12.2	16-85	4.9-25.9	20	6.1
SV (30, 40, 50, 60) 125 (N, P)	15-25	4.6-7.6	14-43	4.3-13.1	17-90	5.2-27.4	25	7.6
SV (40, 50, 60) 150 (N, P)	16-30	4.9-9.1	15-45	4.6-13.7	18-100	5.5-30.5	25	7.6
SV (40, 50, 60, 70) 175 (N, P)	17-35	5.2-10.7	16-50	4.9-15.2	19-110	5.8-33.5	30	9.1
SV (50, 60, 70, 80) 200 (N, P)	18-40	5.5-12.2	17-55	5.2-16.8	20-120	6.1-36.6	30	9.1
SV (60, 70, 80) 225 (N, P)	20-42	6.1-12.8	18-60	5.5-18.3	21-125	6.4-4.6	30	9.1

Note: This chart is provided as a guideline. Actual conditions may dictate variation from this data.

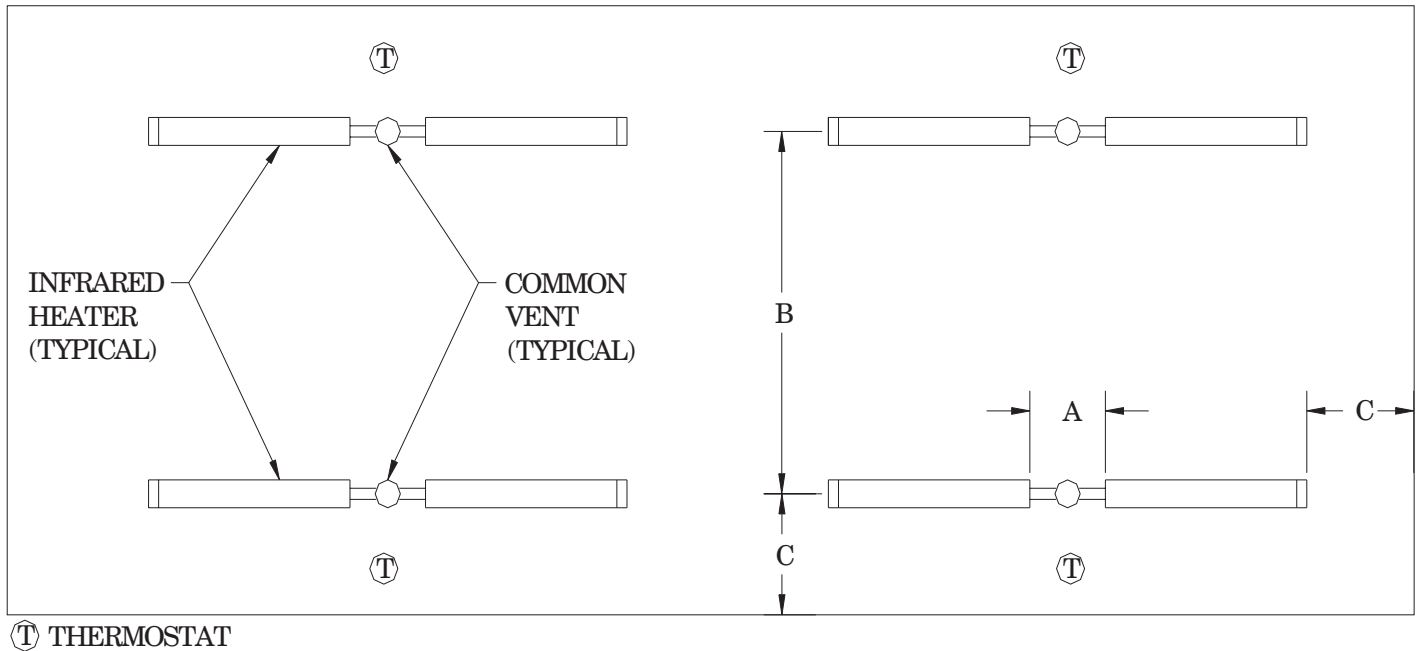


Figure 2.1.1

TYPICAL BUILDING LAYOUT



When positioning heaters, keep in mind the clearances to combustible materials, lights, sprinkler heads, overhead doors, storage areas with stacked materials, gas and electrical lines, parked vehicles, cranes and any other possible obstructions or hazards. Refer to the Warnings, Cautions and the Clearance-To-Combustibles Chart in the Safety Information Section and on the heater to verify that a safe installation condition exists.

The following guidelines must also be met to ensure a good installation and proper heater performance:

- \* A maximum of two 45 degree elbows, two 90 degree elbows or one 180 degree elbow can be installed on heaters. The gas input of the heaters, as stated on the rating label, will determine the minimum length of radiant pipe from the control box to the first elbow. (See Optional 45, 90 and 180 degree Elbows section on page 13.)

NOTE: Flue vent requirements do not change when elbows are installed.

- \* Do not exceed the maximum vent length of 20 ft./6.1m for exhausting the heater. Consult Flue Venting, Section 2.8.
- \* Do not combine the exhaust vents of two heaters into a straight-through tee. A Part Number BR-YA, BR-YG, or staggered-tee arrangement must be used. Heaters sharing the same vent must share the same thermostat. Common vents must have 6 in./15.2cm Diameter ( see Figure 2.1.1).

- \* Outside air for combustion must be ducted to the heater if the building atmosphere where the heater is installed contains one of the following:

- Chemicals such as chlorinated or fluorinated hydrocarbons.
- High humidity such as car washes.
- Contaminants such as sawdust, welding smoke, etc.
- Negative static pressure.

Consult Combustion Air Requirements section on page 18.

- \* Do not exceed the maximum air intake duct length of 20 ft./6.1m. Consult Air Intake Duct Chart on page 18.
- \* Do not draw fresh air to the heater from an attic space. There is no guarantee that adequate air will be supplied. Prevailing winds can create negative or positive pressure in the space.
- \* All unvented heaters must use a vent with flapper, Part Number BR-VCF.

Once all of the safety precautions and design criteria are met, the actual installation of the heater may begin.

## 2 INSTALLATION

### 2.2 Prechecks

1. Verify that all parts have been received by checking them against the packing list. If there are questions regarding the shipment, notify the Re-Verber-Ray distributor or Brant Radiant Heaters Limited at Customer Service- 1-800-387-4778.
2. Check the CSA rating label located on the heater's control box above the inlet gas supply connection, to verify the model number, gas input and the gas to be used.
3. Locate the Clearance-To-Combustibles label affixed to the heater's access panel/cover. Using the heater's model numbers, as displayed on the rating label, make sure the finished installation will conform to the design requirements listed on the label and the Clearance-To-Combustibles Chart and the figures shown on page 3.
4. Heaters may discharge the combustion-by-products directly into the heated space when the conditions in section 2.9 Installation for Unvented operation have been met.

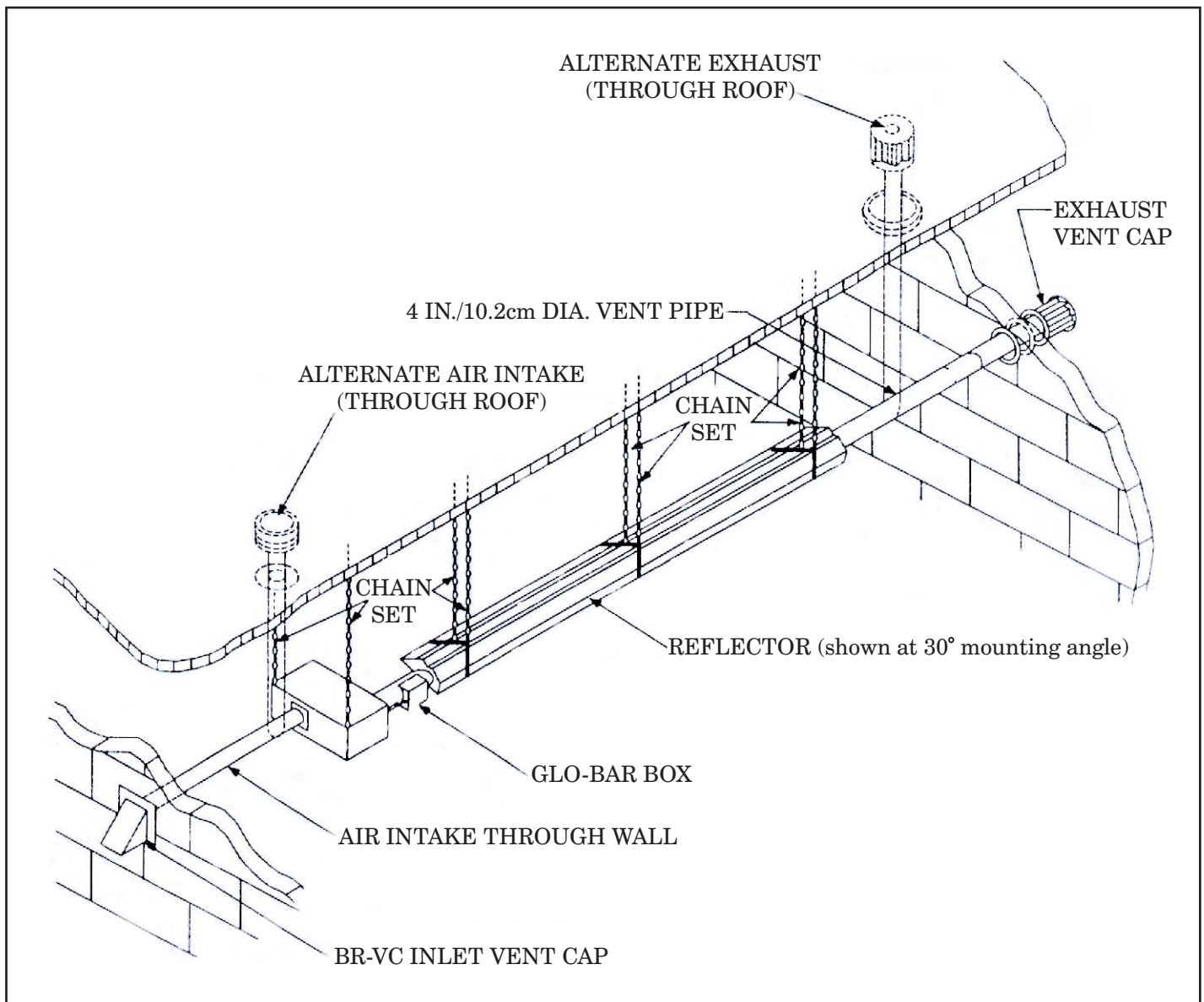
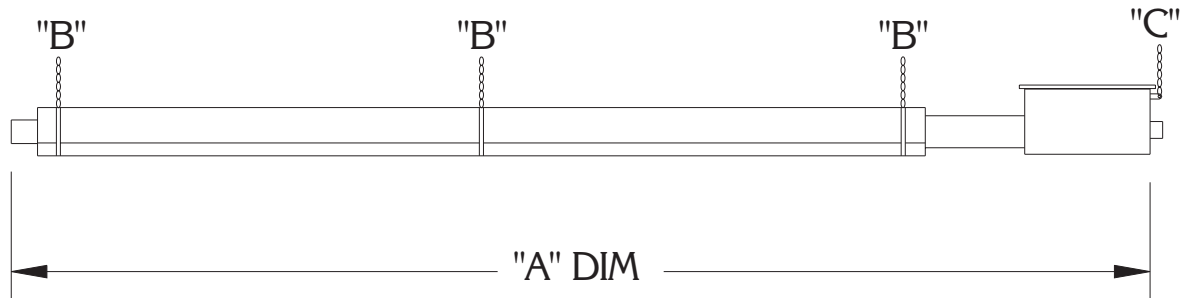
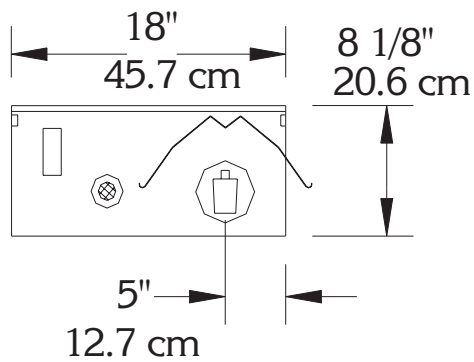


Figure 2.2.1

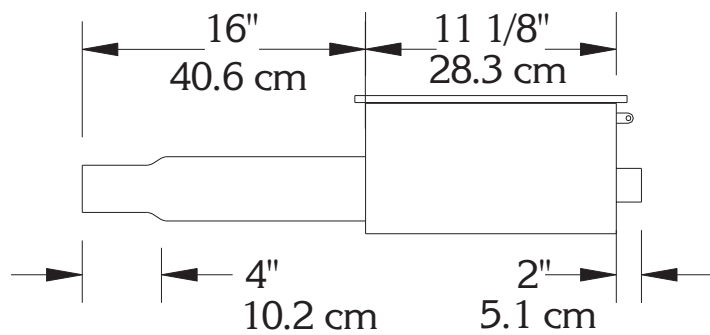
TYPICAL INSTALLATION DRAWING



MODEL NUMBER	DIMENSION "A"		SUSPENSION POINTS "B"	CONTROL BOX STABILIZER "C"
	IN.	M		
SV 20	259	6.6	3	2
SV 30	375	9.5	4	2
SV 40	491	12.5	5	2
SV 50	607	15.4	6	2
SV 60	723	18.4	7	2
SV 70	839	21.3	8	2
SV 80	955	24.3	9	2



END VIEW



ENLARGED SIDE VIEW

Figure 2.2.2

## 2 INSTALLATION

### 2.3 Heater Hanging

1. The combination tube/reflector suspension hangers (BR-HGR), shipped in the parts box located in the heater control box carton shall be sufficient to support the heater every 10 feet or 3 m. Figure 2.3.1
2. Install the heater so that it is independently supported from the building having adequate load characteristics. Do not support the heater by the gas or electrical supply lines.
3. The burner box must be installed so that it is level and the burner sight glass visible from the floor. Figure 2.3.2
4. The two hangers supporting the first 10 ft. or 3 m tube must be installed near the ends of the tube next to the clamps. It is recommended that the remaining hangers be installed approximately 10 ft. or 3 m apart. Figure 2.3.2
5. The suspension chains must be installed so that they are perpendicular to the heater. When mounting reflectors at 0 degrees one chain per hanger is required. When angle mounting the reflector two chains are required or one chain and a BR-MAH. Figure 2.3.3  
Optional: BR-MAH- An accessory multiple angle hanger that can be added to preselect the reflector angle at 15, 30 or 45 degrees.  
Optional: BR-CS - An accessory chain set consisting of 5 ft./1.52m of number 1 double loop chain and 2 "S" hooks.
6. Close all "S" hooks to ensure maximum load carrying capacity.
7. If wind conditions in the space are such that visible swaying of the heater is apparent, the control box must be rigidly mounted. Threaded rod can be used to stabilize the control box.

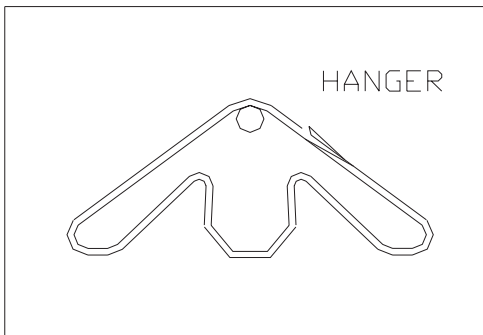


Figure 2.3.1

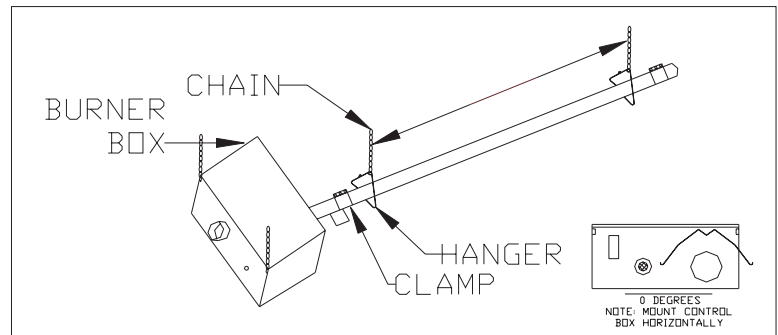


Figure 2.3.2

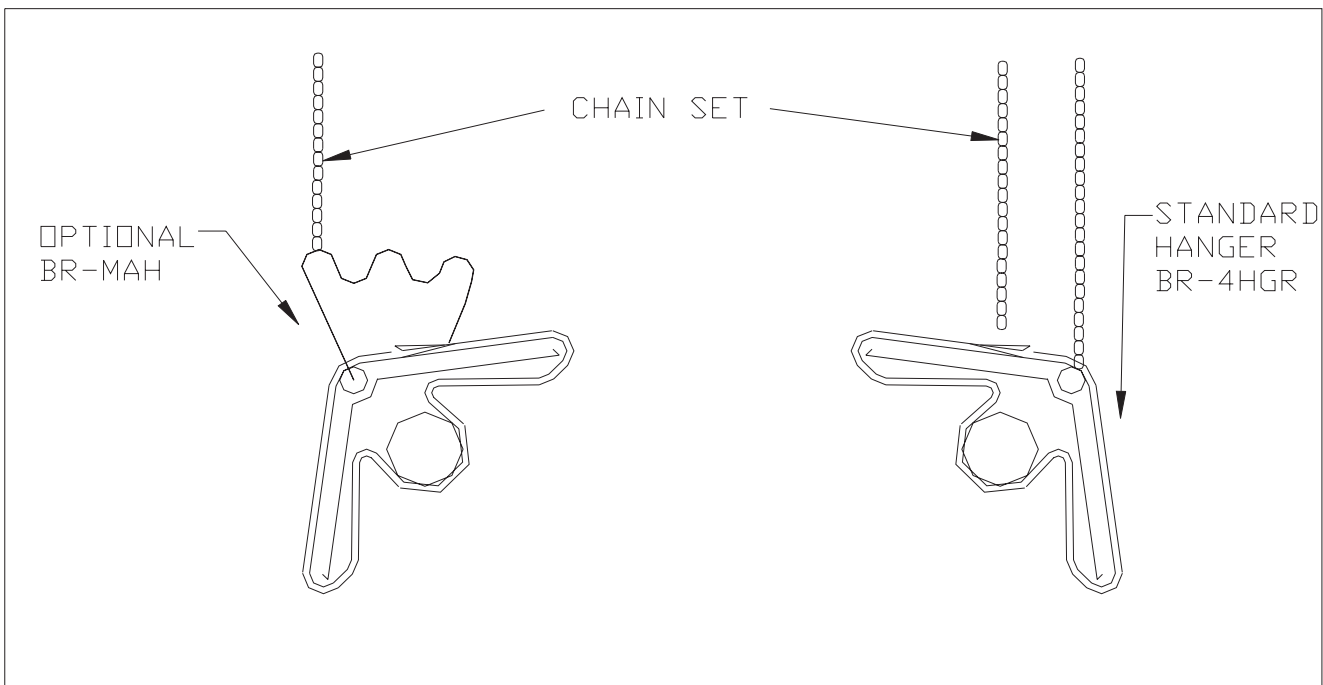


Figure 2.3.3

## 2 INSTALLATION

### 2.4 Tube Assembly

Models with inputs from 50,000 to 125,000 BTU<sub>h</sub> use highly emissive coated aluminized steel for the combustion tube (first 10ft./3m) and radiant tube. Models with an input of 150,000 to 225,000 BTU<sub>h</sub> use highly emissive coated aluminized titanium steel for the combustion tube and coated aluminized steel for the radiant tube. An aluminized titanium tube is identified by a bright yellow shipping band and stamped 5AT1 on the full diameter end.

Models 175,000 to 225,000 BTU<sub>h</sub> use a stainless steel clamp on the second joint. Figure 2.4.1

1. Slide tubes through hangers with welded seam downwards and locate tube clamp on tube.

2. Mate tubes completely then recheck suspension hanger locations and secure. Center clamp on seam and torque clamp bolts to 50 - 60 lbs. - ft. Figure 2.4.1
3. STOP: Before final assembly of the last radiant tube verify baffle length, install baffle in the vertical position and complete final assembly. Figure 2.4.2. The Baffle Specification Chart on this page lists baffle lengths by model numbers. Heater model numbers are located on the rating label attached to the heater control box.
4. Optional: Exchanger configuration 45, 90, 180 degree. Refer to page 13.

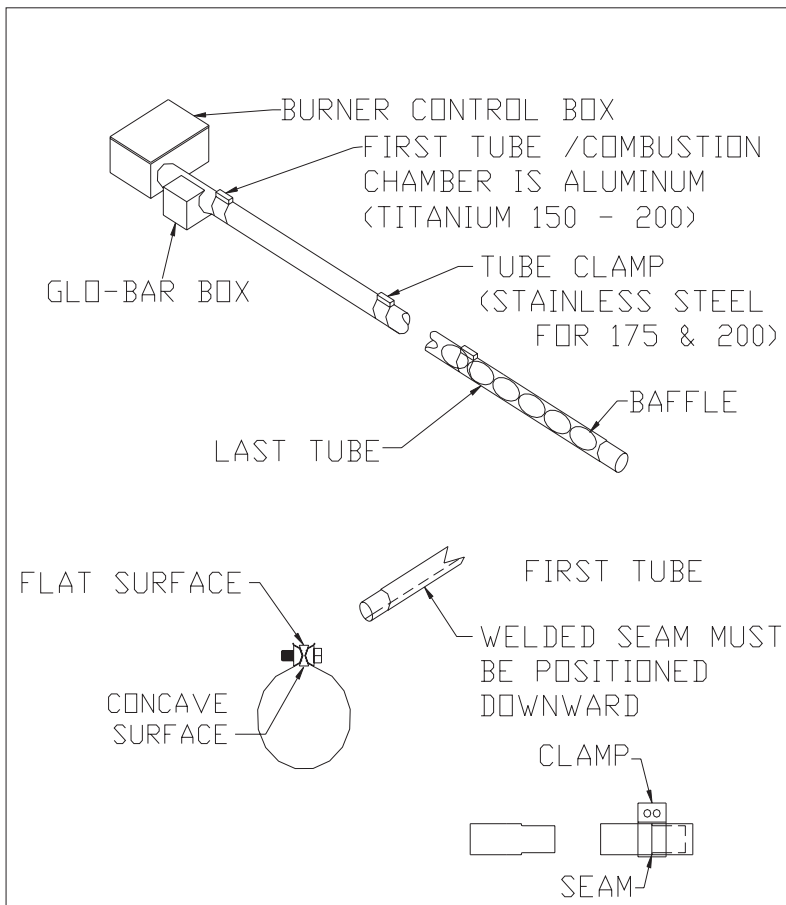


Figure 2.4.1

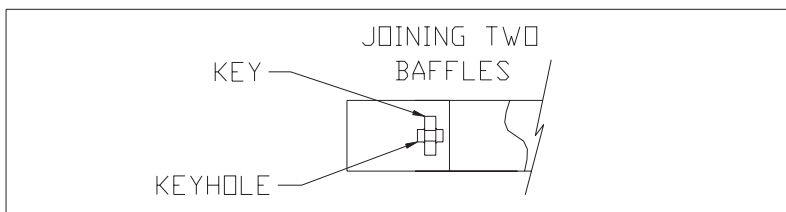


Figure 2.4.2

BAFFLE SPECIFICATION CHART	
MODEL NUMBER	STANDARD BAFFLE SECTIONS
SV-20-50 (N, P)	5
SV-30-50 (N, P)	4
SV-40-50 (N, P)	2
SV-20-60 (N, P)	5
SV-30-60 (N, P)	4
SV-40-60 (N, P)	2
SV-20-75 (N, P)	5
SV-30-75 (N, P)	4
SV-40-75 (N, P)	2
SV-20-100 (N, P)	5
SV-30-100 (N, P)	5
SV-40-100 (N, P)	4
SV-50-100 (N, P)	2
SV-30-125 (N, P)	5
SV-40-125 (N, P)	4
SV-50-125 (N, P)	4
SV-60-125 (N, P)	2
SV-40-150 (N, P)	4
SV-50-150 (N, P)	4
SV-60-150 (N, P)	2
SV-40-175 (N, P)	4
SV-50-175 (N, P)	2
SV-60-175 (N, P)	2
SV-70-175 (N, P)	2
SV-50-200 (N, P)	2
SV-60-200 (N, P)	2
SV-70-200 (N, P)	2
SV-80-200 (N, P)	2
SV-60-225 (N, P)	2
SV-70-225 (N, P)	2
SV-80-225 (N, P)	2

1 SECTION OF BAFFLE = 33" or 83.8cm

## 2 INSTALLATION

### 2.5 Reflector Assembly

1. Install reflector intermittent support BR-IH as shown in figure 2.5.1
2. Slide reflectors through wire suspension hangers and adjust the reflector positioning spring in the V-groove on top of the reflector. Figure 2.5.2
3. Overlap reflectors 4 inches/10.2cm for support and secure together with supplied clips or sheet metal screws. Make sure to leave an expansion joint as shown in Figure 2.5.3.
4. Install clips in their "A" position as shown in Figure 2.5.3 on the first and last suspension hanger. Clips are located right side front and left side back of the wire suspension hanger.
5. Optional: Side Shield Installation refer to page 12.

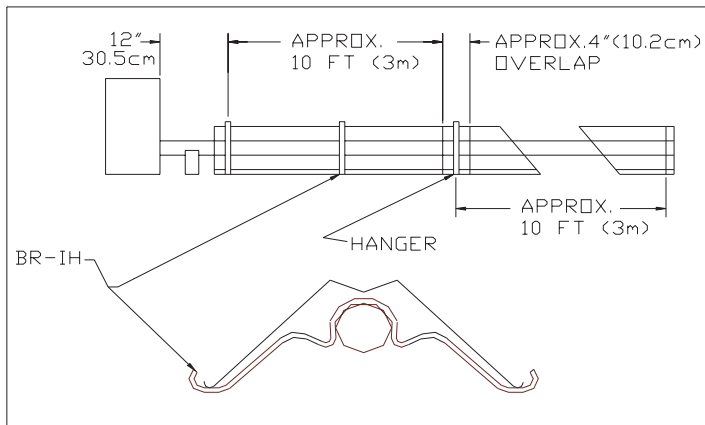


Figure 2.5.1

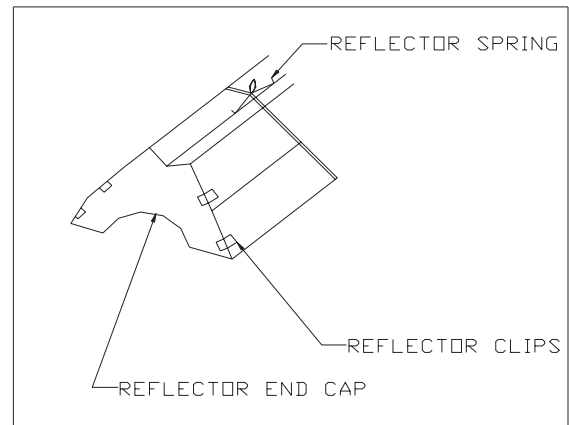


Figure 2.5.2

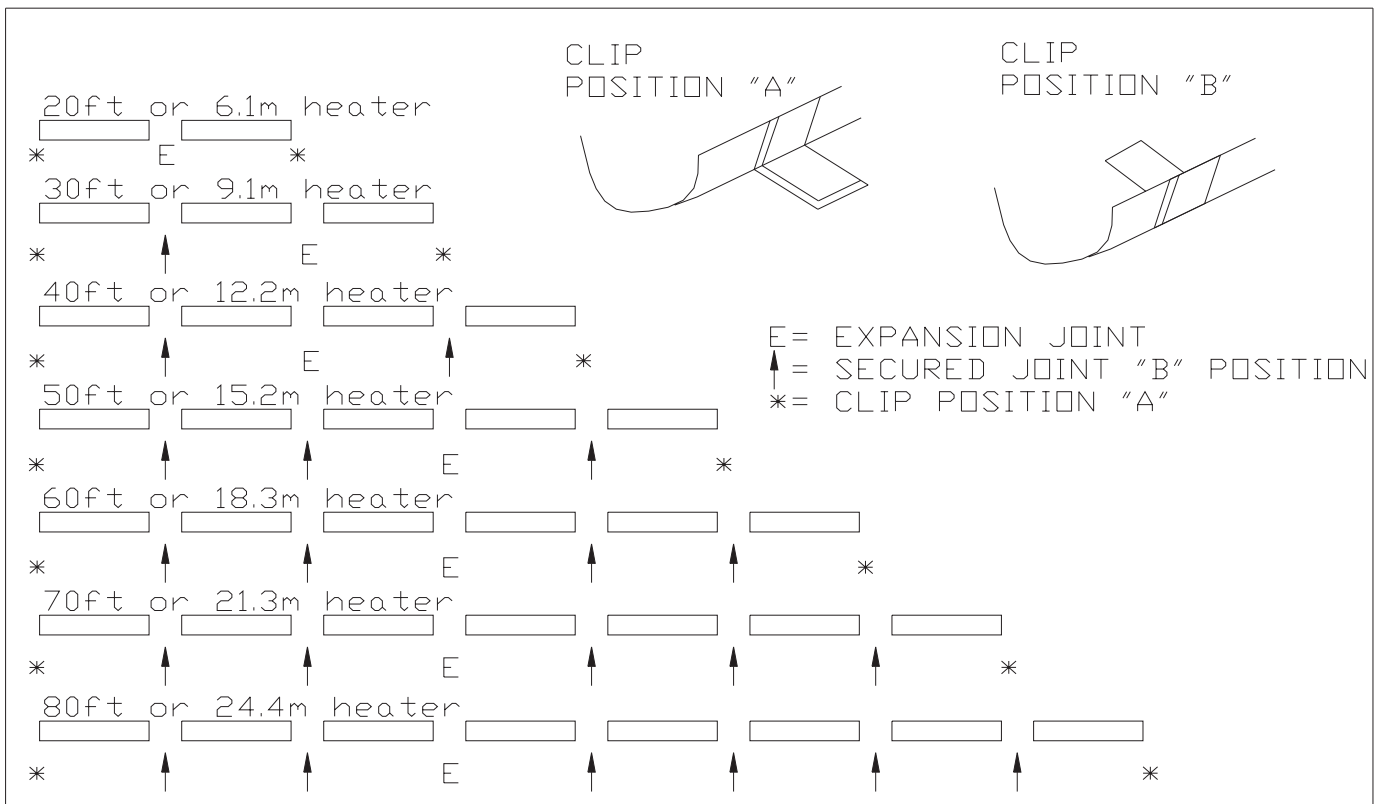


Figure 2.5.3

## 2 INSTALLATION

### 2.5B Exhaust Assembly

The exhaust control assembly (fig.1) is mounted to the last exchanger of the tube heater. Be sure the clamp is tightly secured so there is no chance for the exhaust assembly to become loose. See figure 1 for details.

The discharge on the exhaust assembly (fig.1) can be pointed in any direction except for downward. Venting is attached to the round discharge of the assembly.

If assembling this heater as a U-configuration, be sure to plan ahead to make sure the exhaust assembly and burner control box do not interfere with each other. If looking at the U-configuration from behind, the burner control box should be on the left and the exhaust assembly should be on the right. See Figure 2 for details.

The exhaust assembly (figure 1) is equipped with a three prong power cord which is plugged into a 120V outlet. The appliance will be turned on and off through the outlet. The outlet is controlled by a thermostat or switch

There is low voltage output from exhaust assembly to the burner control box assembly. If the heater's tube length is 50 ft. or less, use a minimum of 16 ga. multistrand wire. If the tube length of the heater is greater than 50 ft., use a minimum of 14 ga. multistrand wire. This low voltage wire is field supplied.

The low voltage wire that connects the exhaust assembly to the burner control box must be mounted a minimum of 18 inches from the reflector. The wire must be installed outside of the clearance to combustibles zone. The wire must allow for several inches of heater expansion.

**NOTE:** The 24V wire is not where the thermostat is tied into. The thermostat controls the 120V outlet.

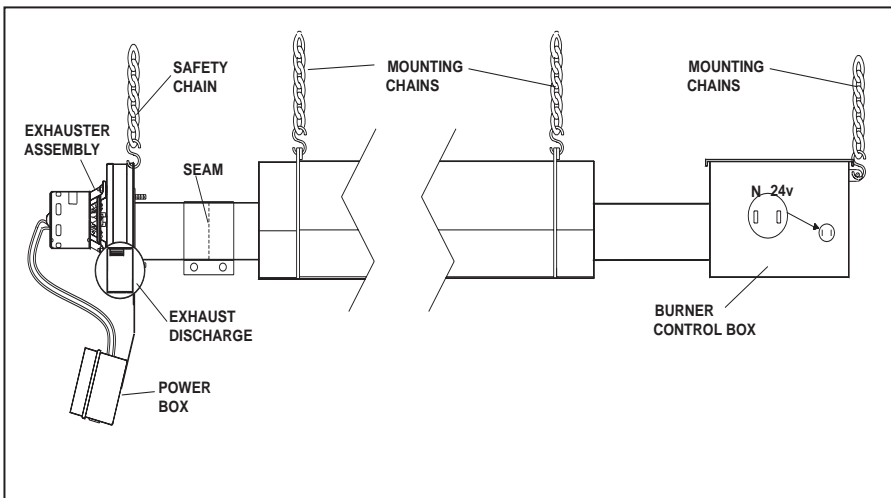


Figure 1 - SV Exhauster Control Assembly Mounting Detail.

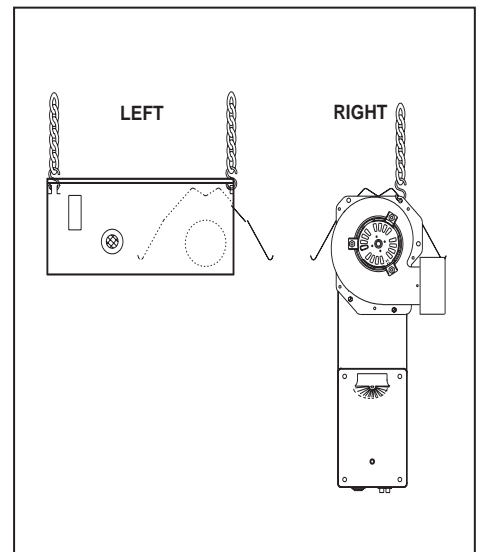


Figure 2 - SV Exhauster End View.

## 2 INSTALLATION

### 2.6 OPTIONAL

#### Side Shield Installation

1. Install side shields as per figure 2.6.1. The clearance to combustibles will be altered when side shields are installed. Refer to safety information on page 3.

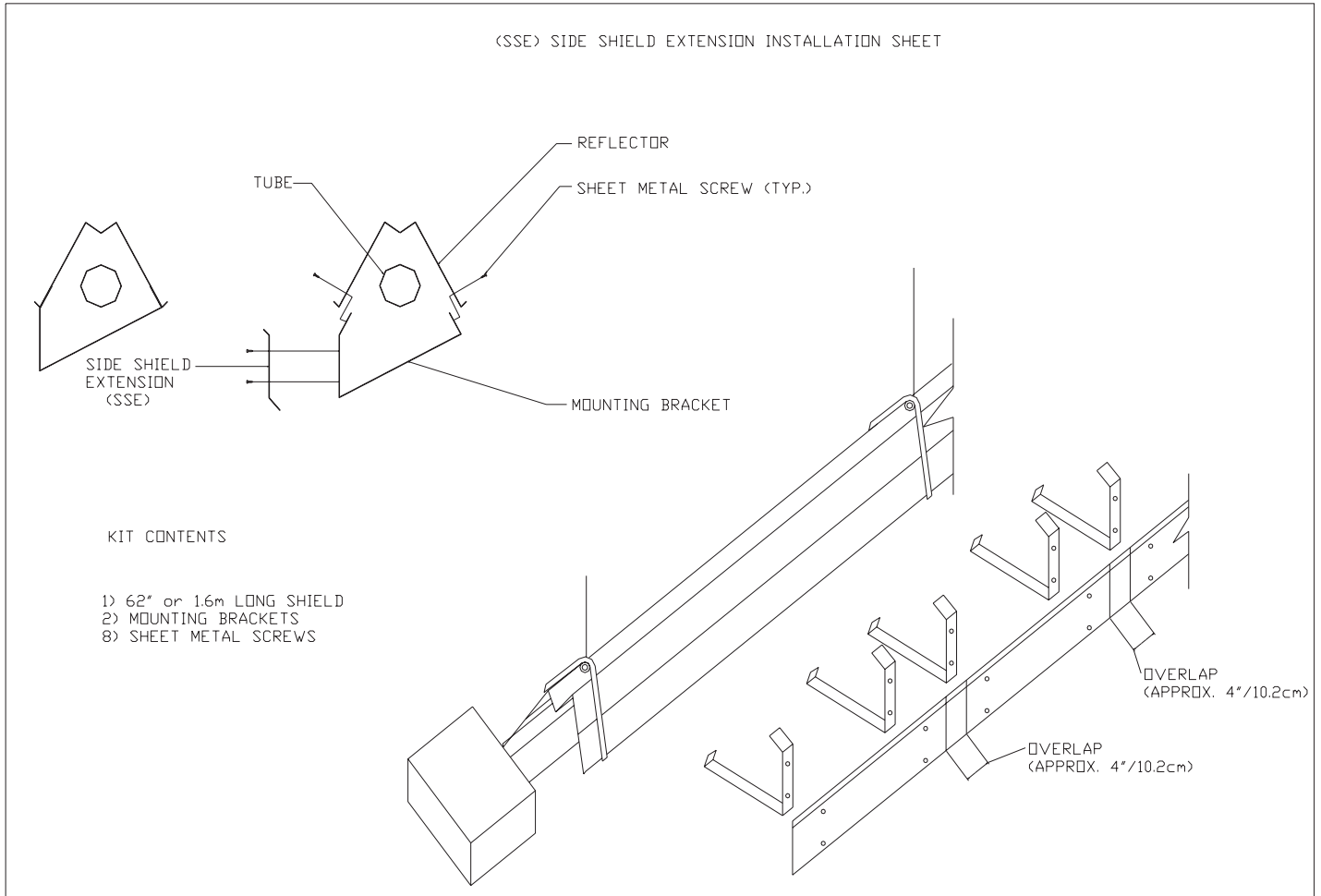


Figure 2.6.1



## 2 INSTALLATION

### 2.7 OPTIONAL

#### Exchanger "L" or "U" Configuration

A maximum of two 45, 90 degree "L" or one 180 degree "U" bend may be installed to alter the standard radiant tube configuration (see Figure 2.7.1). See the Baffle Specification Chart on page 14 for the minimum distance requirements, listed by model number from the burner control box to an elbow or "U".

BR-45-E consists of a 45 degree 16 Ga. Swaged elbow, tube clamp and one suspension hanger.

BR-4EA consists of a 90 degree 16 Ga. Swaged elbow, tube clamp, two piece reflector and one suspension hanger.

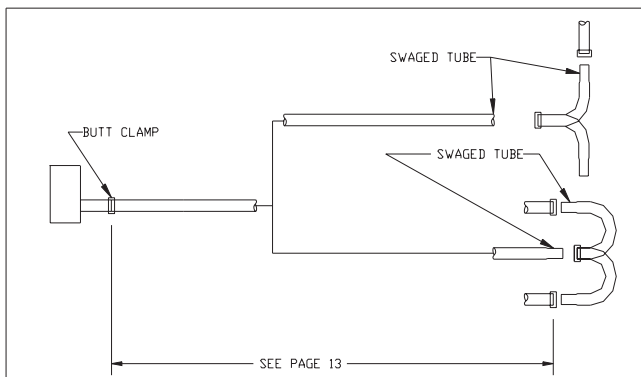


Figure 2.7.1

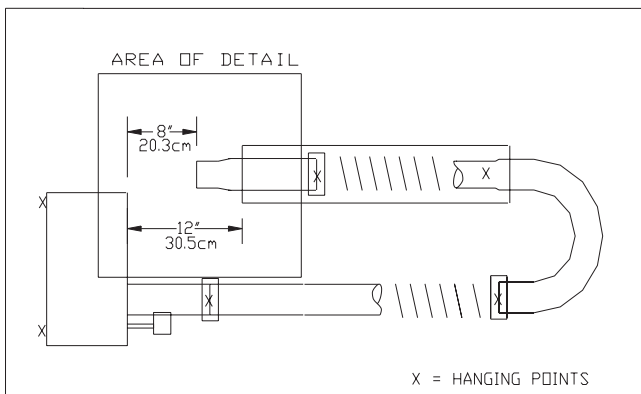


Figure 2.7.2

BR-4-UA consists of a 180 degree 16 Ga. Swaged "U", tube clamp, three piece reflector, one suspension hanger, one reflector support and one spreader bar assembly.

Figure 2.7.2 Hanging Points

Figure 2.7.3 "U" Dimensions

Figure 2.7.4 Spreader Bar

Figure 2.7.5 Spreader Bar

#### IMPORTANT

Baffle lengths may be altered with the addition of elbows or "U" assembly. See **BAFFLE SPECIFICATION CHART** on page 14 for baffle lengths listed by model number.

When utilizing a "U" or "L" bend the exhaust/return leg must be equal to or higher than the burner control box. Reflector runs from burner control to elbow or "U" will require an expansion joint. See page 14.

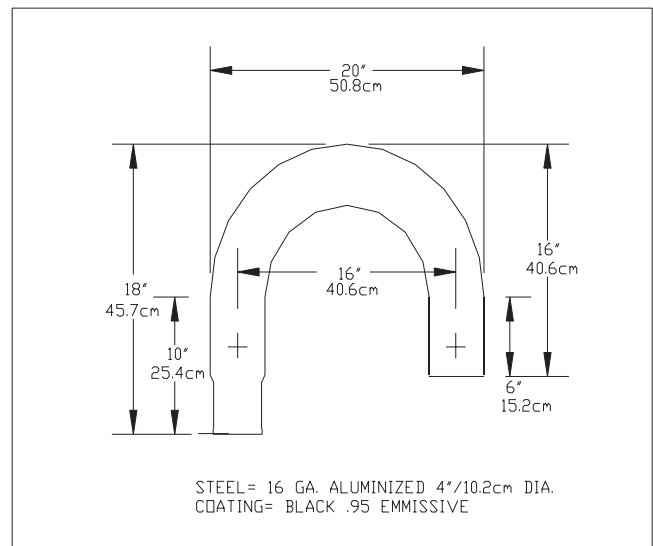


Figure 2.7.3

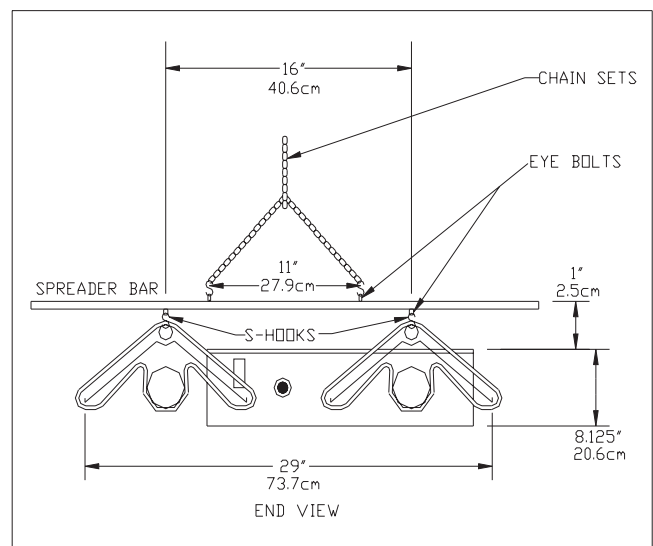


Figure 2.7.4

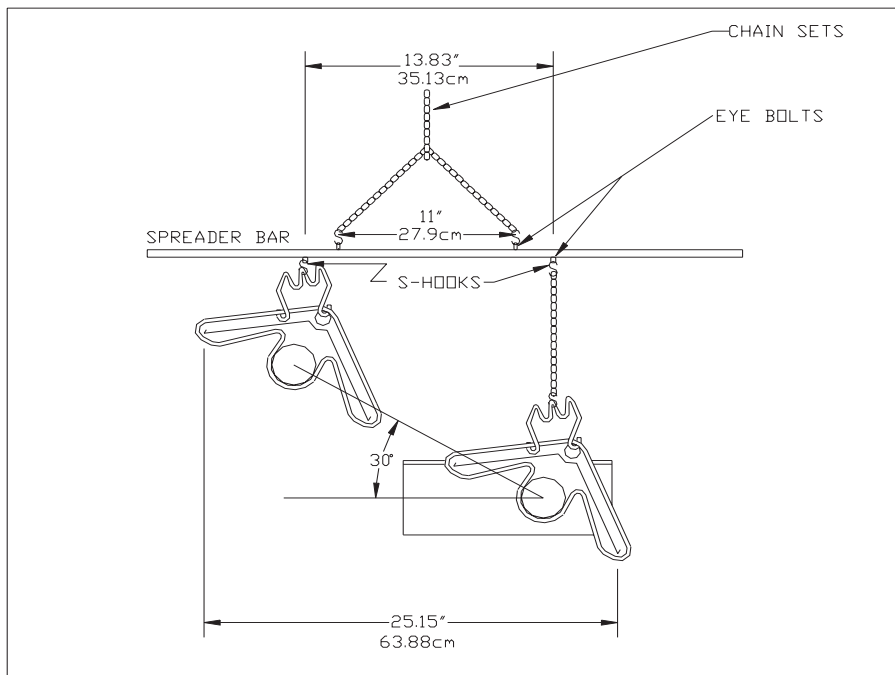


Figure 2.7.5

BAFFLE SPECIFICATION CHART				
MODEL NUMBER	STANDARD BAFFLE SECTIONS	180 DEGREE "U" SECTIONS	45, 90 DEGREE "L" SECTIONS	MIN. DISTANCE FROM BURNER TO AN ELBOW OR U FITTING
SV-20-50 (N, P)	5	4	4	10' 3.0m
SV-30-50 (N, P)	4	3	3	10' 3.0m
SV-40-50 (N, P)	2	2	2	10' 3.0m
SV-20-60 (N, P)	5	4	4	10' 3.0m
SV-30-60 (N, P)	4	3	3	10' 3.0m
SV-40-60 (N, P)	2	2	2	10' 3.0m
SV-20-75 (N, P)	5	4	4	10' 3.0m
SV-30-75 (N, P)	4	3	3	10' 3.0m
SV-40-75 (N, P)	2	2	2	10' 3.0m
SV-20-100 (N, P)	5	4	4	10' 3.0m
SV-30-100 (N, P)	5	4	4	15' 4.6m
SV-40-100 (N, P)	4	3	3	15' 4.6m
SV-50-100 (N, P)	2	2	2	15' 4.6m
SV-30-125 (N, P)	5	4	4	15' 4.6m
SV-40-125 (N, P)	4	3	3	20' 6.1m
SV-50-125 (N, P)	4	3	3	20' 6.1m
SV-60-125 (N, P)	2	1	1	20' 6.1m
SV-40-150 (N, P)	4	3	3	20' 6.1m
SV-50-150 (N, P)	4	3	3	20' 6.1m
SV-60-150 (N, P)	2	0	0	20' 6.1m
SV-40-175 (N, P)	4	3	3	20' 6.1m
SV-50-175 (N, P)	2	1	1	25' 7.6m
SV-60-175 (N, P)	2	1	1	25' 7.6m
SV-70-175 (N, P)	2	0	0	25' 7.6m
SV-50-200 (N, P)	2	1	1	25' 7.6m
SV-60-200 (N, P)	2	1	1	30' 9.1m
SV-70-200 (N, P)	2	0	0	30' 9.1m
SV-80-200 (N, P)	2	0	0	30' 9.1m
SV-60-225 (N, P)	2	1	1	30' 9.1 m
SV-70-225 (N, P)	2	0	0	30' 9.1 m
SV-80-225 (N, P)	2	0	0	30' 9.1 m

ONE BAFFLE SECTION IS APPROX. 33"/83.8cm.

## 2 INSTALLATION

### 2.8 Flue Venting

The following guidelines must be observed to ensure proper system performance and safety:

- \* Check the Natural Gas and Propane Installation Code, CSA B149.1 prior to installing flue stacks. Local codes may vary.
- \* The heater is designed to operate with a 4-in./10.2cm diameter 26 ga. minimum exhaust stack.
- \* Single-wall galvanized flue pipe or Dura/Connect single wall, flexible connectors must be used. The portion of the flue pipe which goes through combustible material in the building wall or roof must pass through a type "B" vent to maintain clearance (see figure 2.8.1 through 2.8.4).
- \* Maximum vent length for all models is 20 ft./6.1m including two 90 degree elbows.
- \* The venting system shall terminate at least 3 ft./0.9m above any building opening or any gas regulator.
- \* The venting system shall terminate at least 6 ft./1.83m from a combustion air inlet or another appliance and not above a gas utility meter or service regulator. The bottom of the vent terminal shall be located at least 7 ft./2.13m above grade.
- \* Uninsulated single-wall metal pipe shall not be used in cold climates for venting gas utilization equipment.
- \* The vent terminal of a horizontal venting system must be installed to prevent blockage by snow and protect building materials from degradation by flue gases.
- \* Vertical venting should be a minimum of 24 inches /61cm above the roof in an area that prevents snow blockage. See Figure 2.8.1
- \* Horizontal venting must maintain a minimum distance from the vent termination to the sidewall. See Figure 2.8.2 through 2.8.4
- \* Buildings incorporating vented soffits/overhangs must ensure that the products-of-combustion do not enter the attic space.
- \* A common flue of 6 in./15.2cm diameter must be used for double-venting of units. One thermostat must control both units. When common venting is used, flues should be connected so that the by-products of one heater cannot flow into the adjoining flue of the other heater. A dual-exhaust assembly is available from Brant Radiant Heaters, Part Number BR-YA or BR-RTA (see Figures 2.8.6 through 2.8.8). A Field Controls SK-6 vent cap must be used for sidewall common venting of all models.

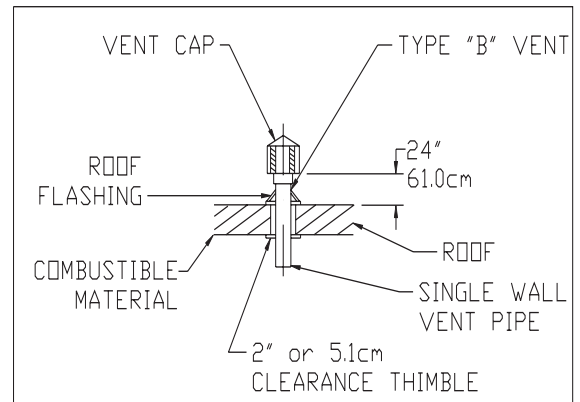


Figure 2.8.1

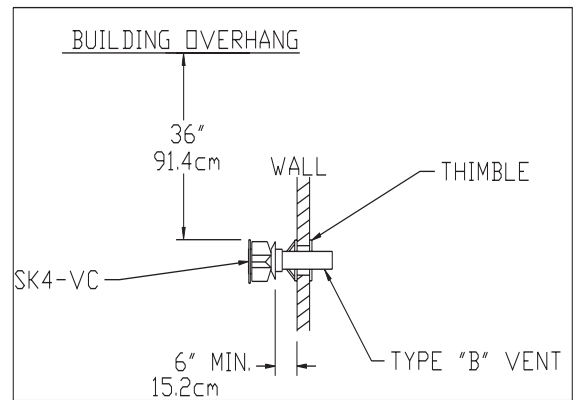


Figure 2.8.2

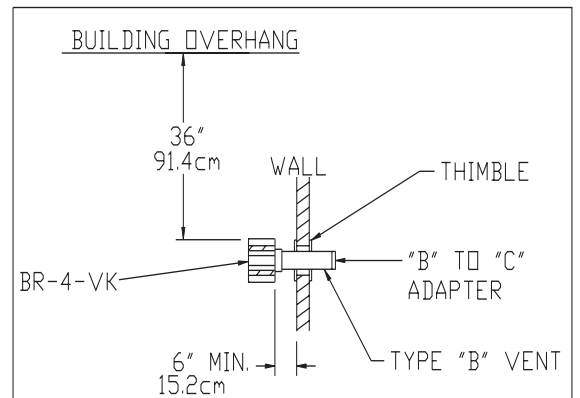


Figure 2.8.3

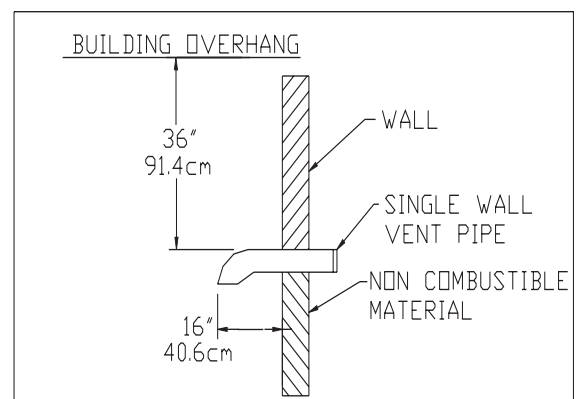


Figure 2.8.4

HORIZONTAL VENT TERMINATION	
HL MODELS	APPROVED VENT CAPS
50,000 thru 175,000	SK-4, SK-6 BR-4VK TF-9
200,000 thru 225,000	SK-4, SK-6 ONLY SK-4VK

- \* Vertical venting may utilize standard "B" vent caps.
- \* All vent pipes must be sealed with high temperature sealant and 4 No. 8 sheet metal screws to prevent leakage of flue gas into building.
- \* Horizontal flues should be pitched down toward outlet, 1/4 in./64cm per ft. of vent length, to prevent rain from entering the heater (see Figure 2.8.5). Do not pitch heater.
- \* Single wall pipe exposed to cold air must be insulated to prevent condensation.

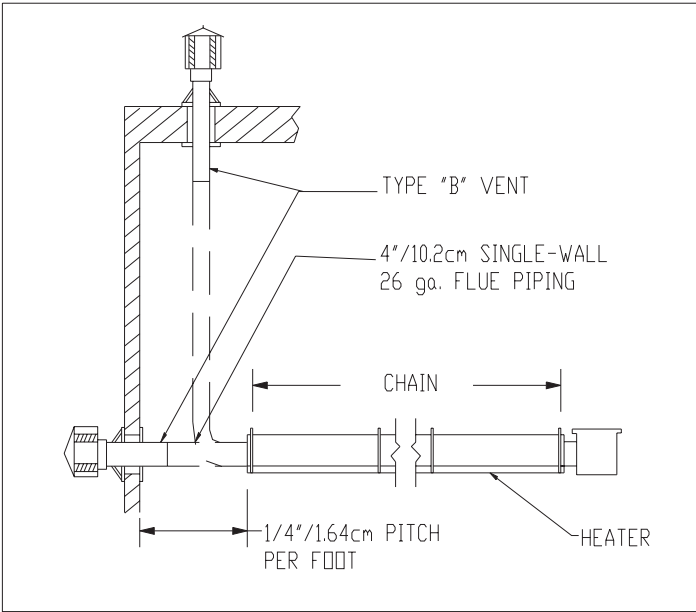


Figure 2.8.5

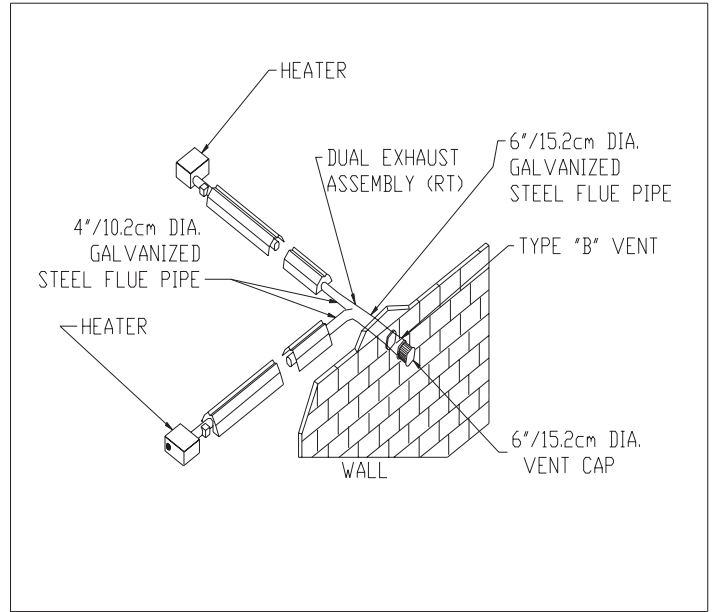


Figure 2.8.6

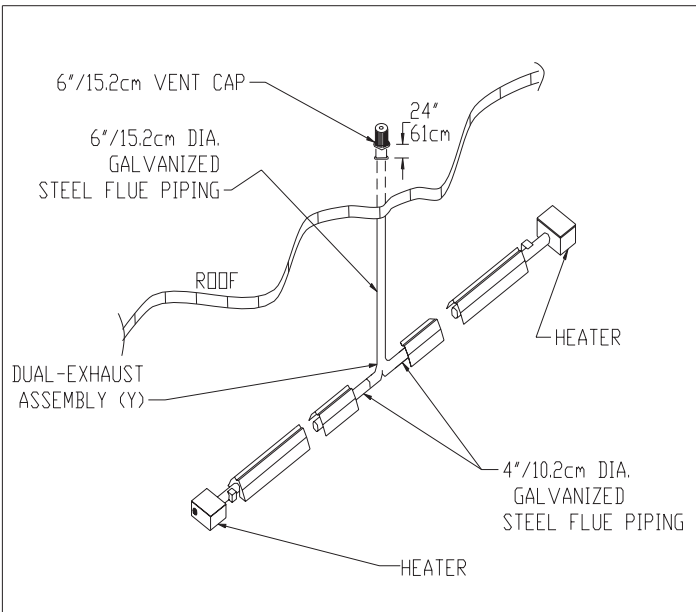


Figure 2.8.7  
DUAL-EXHAUST ASSEMBLY  
(THROUGH ROOF)

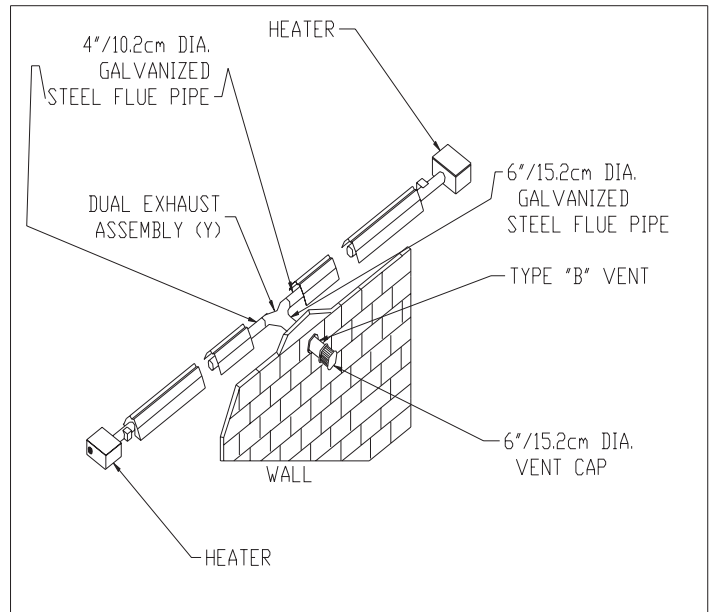


Figure 2.8.8  
DUAL-EXHAUST ASSEMBLY  
(THROUGH WALL)

## 2 INSTALLATION

### 2.9 Installation for Unvented Operation (OPTIONAL)

The heaters are approved for unvented operation when equipped with a factory-supplied end cap/diffuser. Part No. BR-VCF (see Figure 2.9.1). This allows the products of combustion to be discharged from the units into the space being heated.

Ventilation of the space is required to dilute those products of combustion sufficiently. For proper ventilation, it is recommended that a positive air displacement of at least 3.8 cfm per 1000 BTUh of natural gas input be provided.

If propane is used, a positive air displacement of at least 4.5 cfm per 1000 BTUh of gas input is recommended. This air displacement may be accomplished by either gravity or mechanical means. Provisions must be made for a sufficiently large fresh-air intake area and exhaust-air outlet area, to accomplish the displacement. Local codes may require that the mechanical exhaust system be interlocked with the electrical supply line to the heaters, enabling both to function simultaneously.

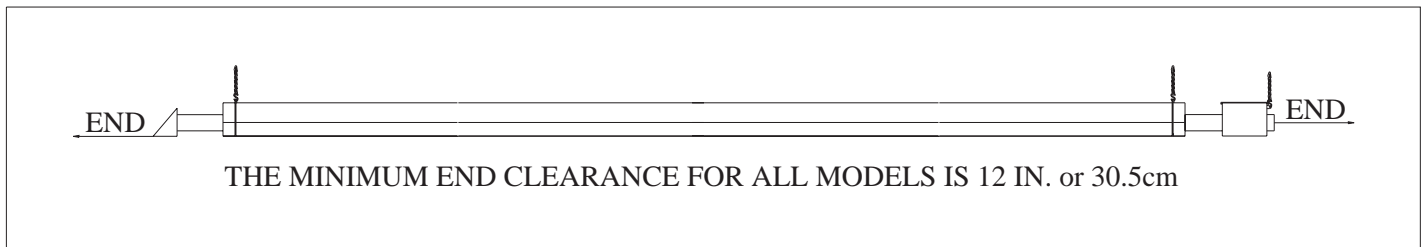


Figure 2.9.1

## 2 INSTALLATION

### 2.10 Combustion Air Requirements

Combustion air intake has a factory-preset air orifice. If indoor combustion air is to be supplied for a tightly closed room, one square inch of free air opening should be provided for each 5000 BTU/h of heater input.

Noncontaminated air for combustion must be ducted to the heater if chlorinated or fluorinated contaminants are present in the area where the heater is installed, or if the building has a negative pressure. Typical sources of these contaminants are refrigerants, solvents, adhesives, degreasers, paint removers, paints, lubricants, pesticides, etc.

Outside combustion air may be provided by an accessory 4 in./10.2cm air duct, and directly attached over the air orifice (see Figure 2.10.1). A BR-VC wall inlet vent cap must be used with horizontal outside air intake ducts.

Do not install filters on combustion air. The intake terminal must be installed to prevent blockage by snow.

**NOTE:** Use insulated duct or PVC pipe to prevent condensation on outer surface. Keep intake opening at least 3 ft. from any exhaust vent openings. For limitations of length and size, see Air Duct Chart.

When vertical roof venting the combustion air intake and exhaust, the exhaust should terminate higher than the intake.

Two 90 degree elbows are included in duct length.

The air intake terminal must be installed at least one foot above grade.

AIR INTAKE DUCT CHART				
MODEL	AIR INTAKE DUCT SIZE		MAXIMUM INTAKE LENGTH	
	IN.	CM	FT.	M
ALL MODELS	4	10.2	20	6.1
	5	12.7	30	9.14

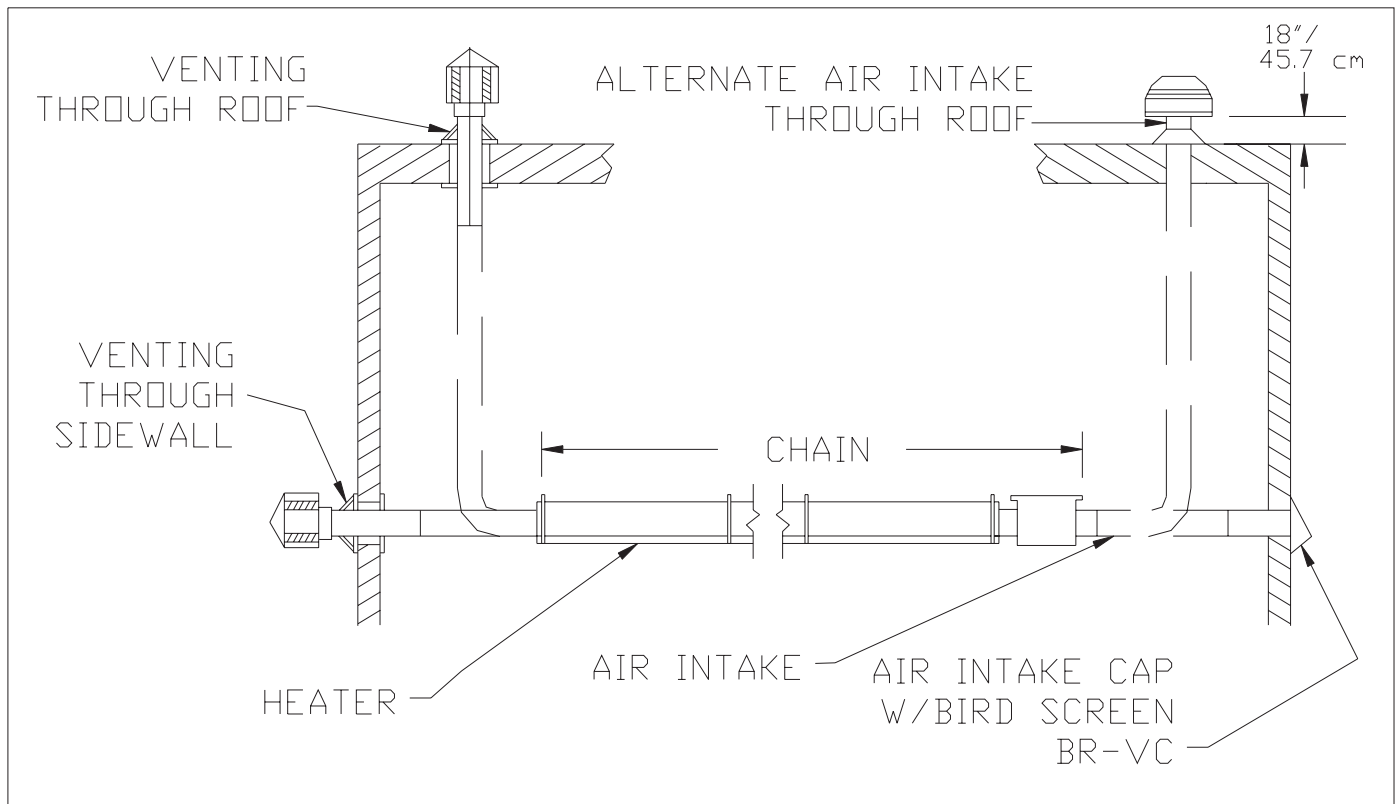


Figure 2.10.1

## 2 INSTALLATION

### 2.11 Gas Supply

CORRECT INLET PRESSURES ARE VITAL FOR EFFICIENT OPERATION OF HEATERS. REFER TO CSA RATING PLATE AND, IF NECESSARY, CONSULT GAS COMPANY.

If all or a portion of the gas supply line consists of used pipe, it must be cleaned and then inspected to determine its equivalency to new pipe. Test all main supply lines according to local codes. (Isolate heater gas valve and gas cock during test.)

Excessive torque on manifold may misalign orifice. Always use two wrenches when tightening mating pipe connections.



#### WARNING

Never use a match or any other flame to test for gas leaks. Use soap-and-water solution to check for leaks.

If any portion of the gas supply line is located in an area that could cause an abnormal amount of condensate to occur in the pipe, a sediment trap should be installed.

NOTE: For high-pressure gas above 14 in. W.C. (Water column), a high-pressure regulator and gas cock must be use. If compressed air is used to detect leaks in the gas supply line, disconnect and cap at shutoff cock to avoid damage to regulator and gas valve.

A typical gas supply line connection is illustrated in Figure 2.11.1. The method shown will decrease the possibility of any loose scale or dirt in the supply line entering the heater's control system and causing a malfunction. The gas supply line must be of sufficient size to provide the required capacity and inlet pressure to the heater (consult gas company) as follows:

NOTE: Manifold and inlet pressures should be checked at the tap on the gas valve. Readings will be above atmospheric pressure.

#### \* Natural Gas

To obtain the required manifold pressure of 3.5 in. W.C., a minimum inlet pressure of 5.0 in. W.C. is necessary for purposes of input adjustment. A maximum inlet pressure of 14.0 in. W.C. is allowed for all units.

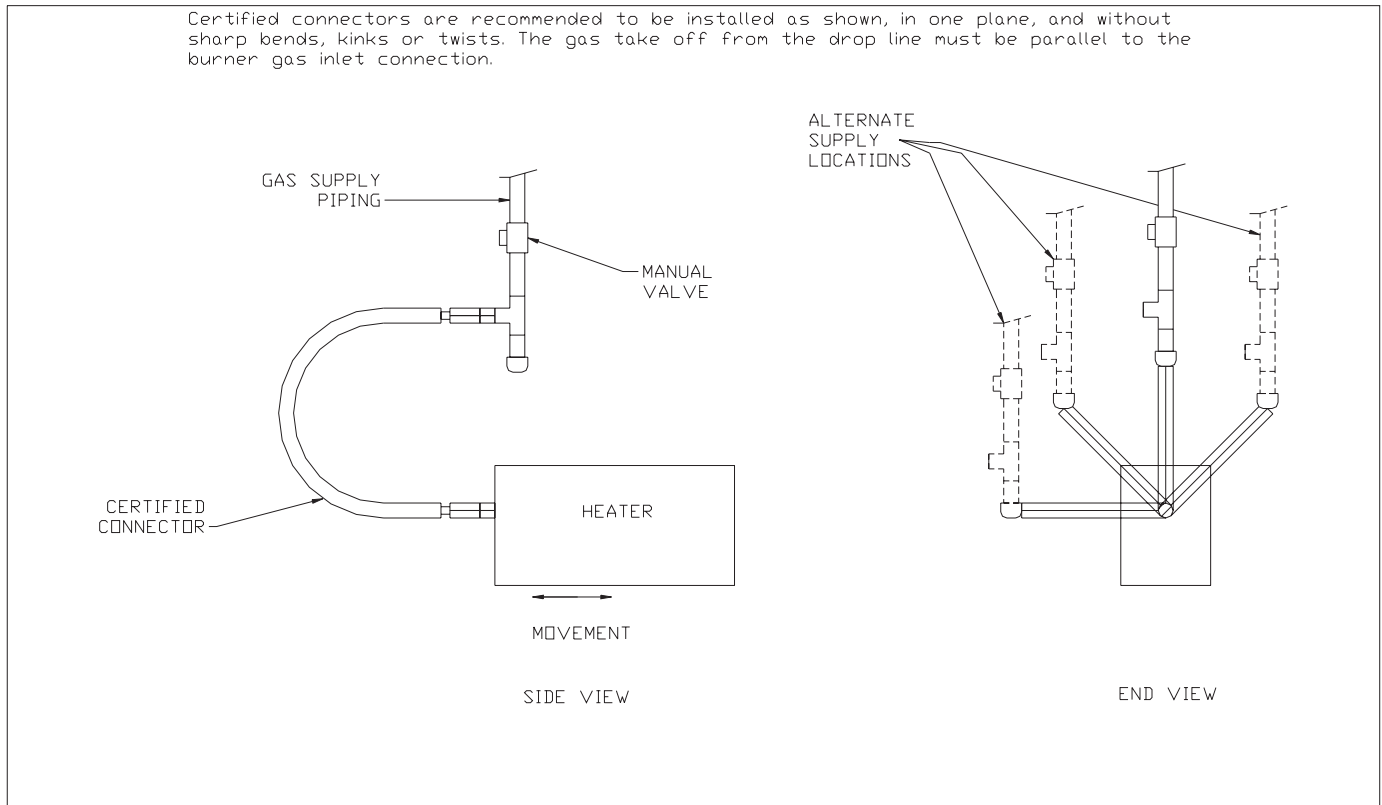
#### \* Propane Gas

To obtain the required manifold pressure of 10.0 in. W.C., a minimum of 11.0 in. W.C. for purposes of input adjustment to a maximum of 14.0 in. W.C. must be provided ahead of the control system on each heater. Do not exceed a manifold operating pressure of 10 in. W.C.  
Use only a pipe-joint compound that is resistant to liquified petroleum gases.

#### \* Pressure Equivalents

1 in. W.C. equals 0.58 oz./sq. in.

## 2 INSTALLATION



### \* Gas Line Connection

- a. The gas outlet shall be in the same room as the appliance and the connector must not be concealed within or run through any wall, floor or partition.
- b. The connector shall be of adequate length.
- c. The final assembly shall be tested for leaks. **CAUTION:** Matches, candles, open flame or other sources of ignition shall not be used for this purpose. Leak test solutions may cause corrosion - water rinse after test.
- d. Contact with foreign objects or substances shall be avoided.
- e. The connector shall not be kinked, twisted or torqued. See Figure 2.11.1.
- f. If wind conditions in the space are such that visible swaying of the heater is apparent, the control box must be rigidly mounted.
- g. Connectors are for use only on piping systems having fuel gas pressures not in excess of  $\frac{1}{2}$  pound per square inch.

### CAUTION

CONNECTOR NUTS MUST NOT BE CONNECTED DIRECTLY TO PIPE THREADS. THIS CONNECTOR MUST BE INSTALLED WITH ADAPTORS PROVIDED. DO NOT REUSE.



## 2 INSTALLATION

### 2.12 Allowance for Expansion

Allowances must be made for the system to expand as detailed in the Heater Expansion Chart on this page. The supplied stainless-steel, flexible gas connector is recommended. If, however, local codes require rigid piping to the heater, a swing joint can be used.

HEATER EXPANSION CHART				
Exchanger length and gas input will determine overall expansion. Heaters in a typical installation will expand towards both the burner and vent ends. Review for proper flexible gas connector installation.				
EXCHANGER LENGTH FEET / METERS		FIXED OR HIGH-FIRE GAS INPUT BTUh	EXPANSION LENGTH	
			INCHES	MILLIMETERS
10	3.1	25,000	1/2	12.7
15	4.6	32,000	3/4	19.1
20	6.1	40,000	1	25.4
20	6.1	50,000	1 1/4	31.8
20	6.1	60,000	1 1/2	38.1
20	6.1	75,000	1 3/4	44.5
20	6.1	100,000	1 7/8	47.6
30	9.2	50,000	1 1/4	31.8
30	9.2	60,000	1 1/2	38.1
30	9.2	75,000	1 3/4	44.5
30	9.2	100,000	1 7/8	47.6
30	9.2	125,000	2	50.8
40	12.2	75,000	1 1/2	38.1
40	12.2	100,000	1 7/8	47.6
40	12.2	125,000	2 1/8	54.0
40	12.2	150,000	2 1/2	63.5
40	12.2	175,000	2 3/4	69.9
50	15.3	100,000	2	50.8
50	15.3	125,000	2 1/8	54.0
50	15.3	150,000	2 3/8	60.3
50	15.3	175,000	2 1/2	63.5
50	15.3	200,000	2 3/4	69.9
60	18.3	125,000	2 1/2	63.5
60	18.3	150,000	2 3/4	69.9
60	18.3	175,000	3	76.2
60	18.3	200,000	3 1/4	82.6
60	18.3	225,000	3 1/4	82.6
70	21.4	175,000	3 3/8	85.7
70	21.4	200,000	3 1/2	88.9
70	21.4	225,000	3 1/2	88.9
80	24.4	200,000	3 1/2	88.9
80	24.4	225,000	3 1/2	88.9

## 2 INSTALLATION

### 2.13 Electrical Requirements

1. Heaters operate on 120 volts, 60 Hz, single phase. The maximum amperage requirement (starting current) is 4.8 amps per heater. The running current is 1.1 amps.
2. Heater must be grounded in accordance with the Canadian Electrical Code C22.1 (latest edition).
3. Wiring must not be exposed to direct radiant output.

### 2.14 Lighting Instructions

1. Purge main gas supply line at start-up.
2. Rotate heater's manual gas valve knob to the "ON" position.
3. Close electrical circuit.
4. If heater fails to light, turn off gas and wait five minutes before repeating the above procedure.

### 2.15 Shutdown Instructions

1. Open electrical circuit.
2. Rotate heater's manual gas valve knob to the "OFF" position.

4. Observe proper electrical polarity.
5. It is recommended that the thermostat be installed on the hot side of a fused supply line and have sufficient ampere rating for the heater(s) it controls.

### Instructions pour l'allumage

1. Purger la conduite d'alimentation en gaz principale.
2. Tourner le bouton du robinet de gaz a commande manuelle jusqu'a ce qu'il se trouve en position de marche ("ON").
3. Fermer le circuit électrique.
4. Si l'appareil de chauffage ne s'allume pas, attendre 5 minutes avant de suivre de nouveau les instructions ci-dessus.

### Pour éteindre l'appareil

1. Ouvrir le circuit électrique.
2. Tourner le bouton du robinet de gaz a commande manuelle de l'appareil de chauffage jusqu'a ce qu'il se trouve en position d'arrêt ("OFF").

### 3 THEORY OF OPERATION

#### 3.1 SV Models

##### STARTING CIRCUIT (FIGURES 3.1.1 & 3.1.2)

When voltage is applied to L1 and L2, a circuit is completed from L1 via the blower motor to L2. The blower fan is mounted in the control box and rated to supply sufficient air for combustion.

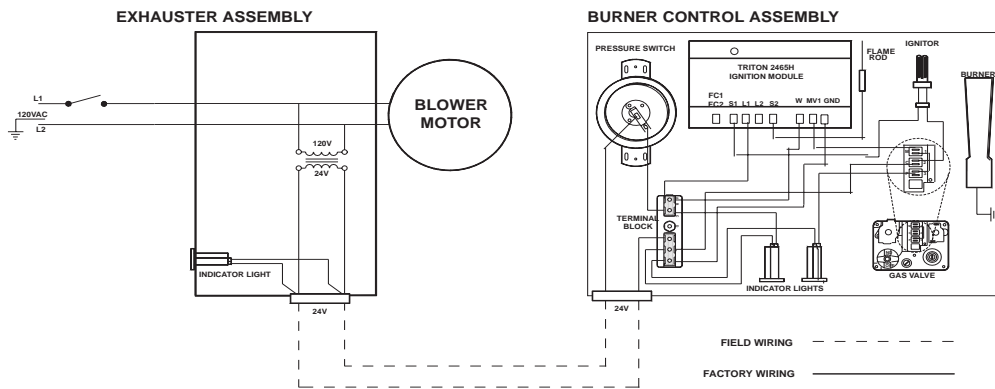
Air pressure generated by the blower will cause the normally open burner pressure switch No.1 to close. Another circuit is completed from L1 to the hot surface ignition control and back to L2. There is a five-second delay, then the glo-bar is powered. After the glo-bar has been powered for 45 seconds, the control causes the gas valve to open and initiates the

Ignition trial. Power to the glo-bar is shut off during the last two or three seconds of ignition trial.

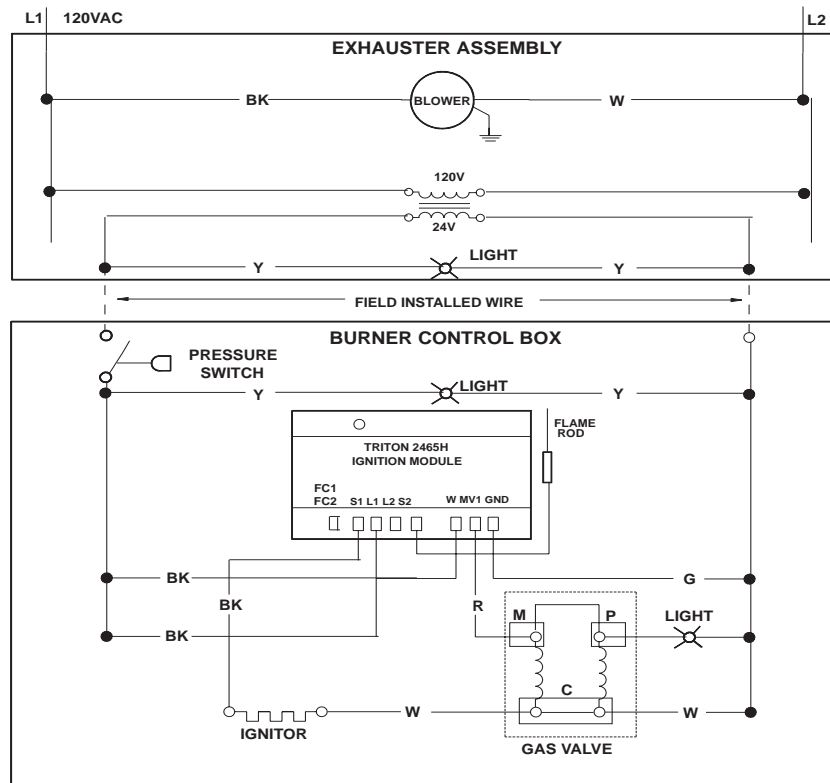
##### RUNNING CIRCUIT

After ignition the flame rod monitors the main burner flame. As long as a flame is present, the valve is held open. If the flame is lost, the control acts to close the valve within one second, and a new trial sequence identical to that at start-up is initiated. If proof of flame is not established within 8.5 seconds, the unit will lock out. If lockout occurs, the control can be reset by briefly interrupting the power source.

#### BLOCK WIRING DIAGRAM



#### LADDER WIRING DIAGRAM

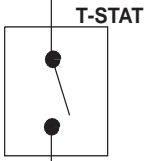


L2

L1

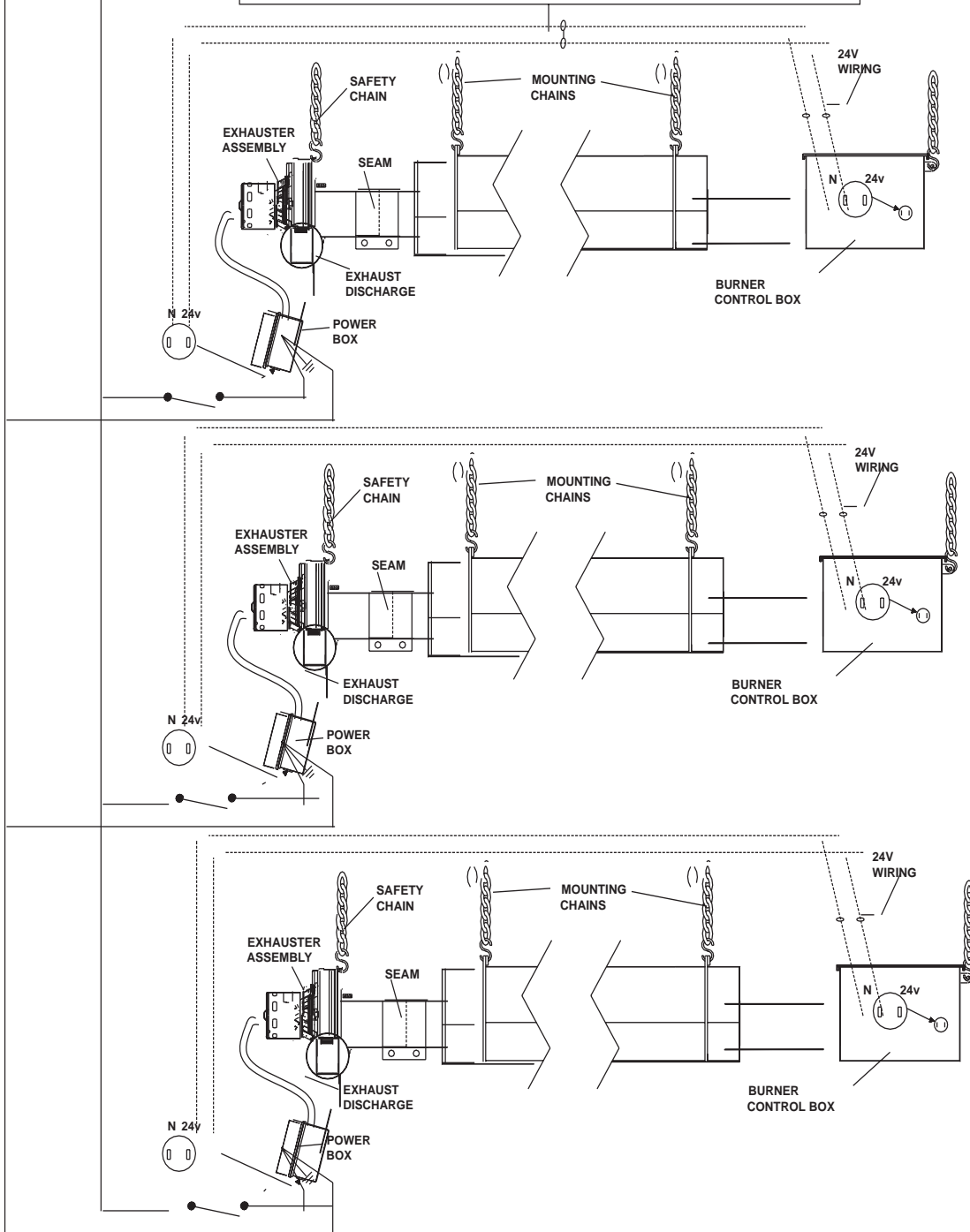
# LINE VOLTAGE THERMOSTAT WIRING

120V



**NOTE:** Up to 6 line voltage heaters can be wired to most line voltage T-stats. Heaters on common vent must have common T-stat.

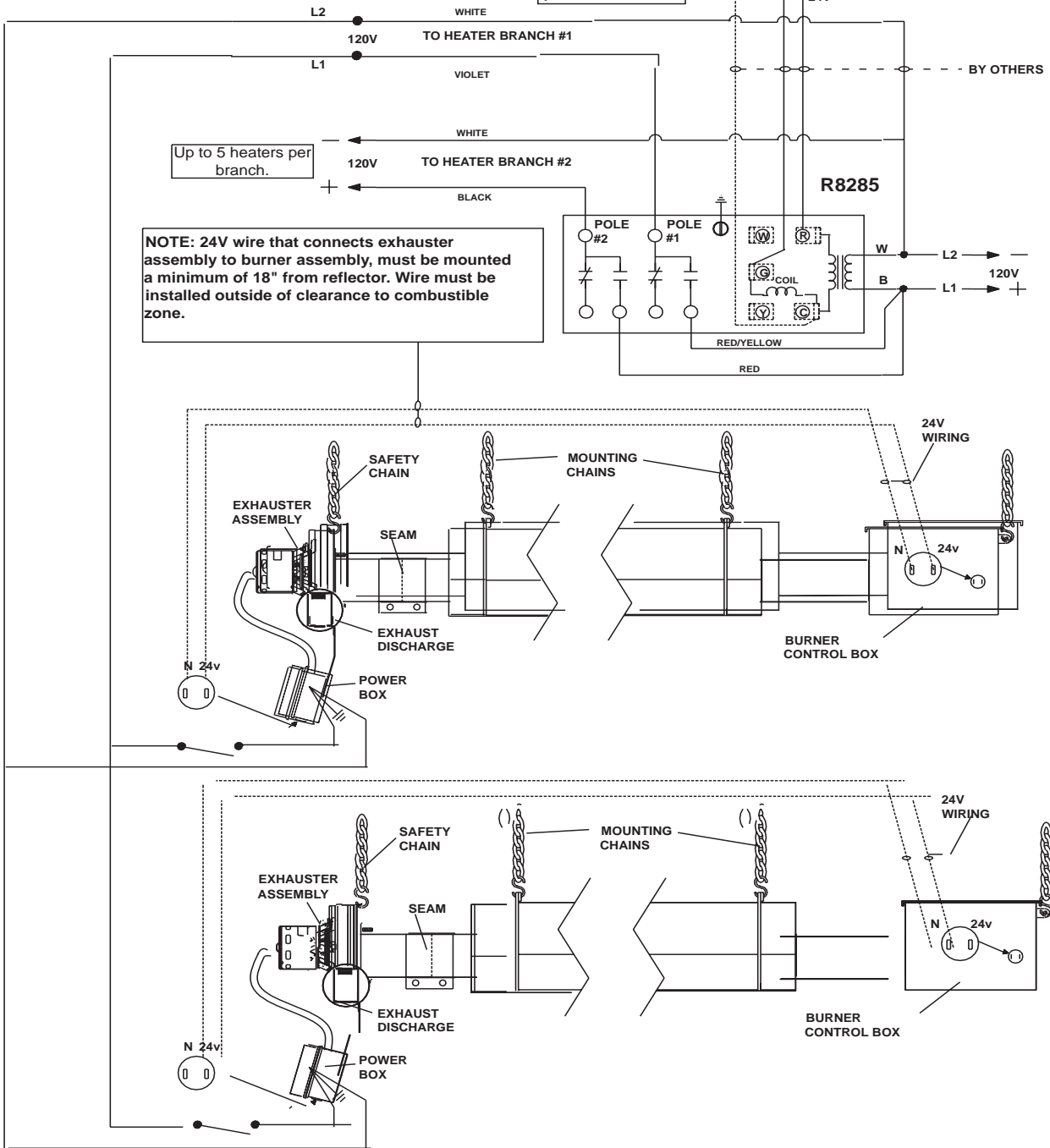
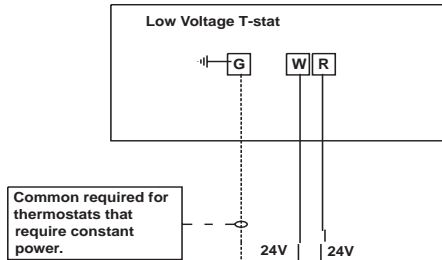
**NOTE:** 24V wire that connects exhauster assembly to burner assembly, must be mounted a minimum of 18" from reflector. Wire must be installed outside of clearance to combustible zone.



# LOW VOLTAGE THERMOSTAT WIRING

R 8285 Transformer Relay - Used in conjunction with any low voltage T-stat (i.e. XL411, T8600) when wiring line voltage heaters.

NOTE: This transformer relay will handle up to 5 heaters per branch. Heaters on common vent must have common T-stat.



## 4 SERVICE

### 4.1 Maintenance

The gas fired infra-red heaters require a minimum of routine maintenance to keep them operating at peak performance.

1. Prior to the heating season heater operation must be verified by qualified service personnel.
2. Ensure that the blower impeller is kept clean. If dirt becomes a problem, installation of outside air intake ducts for combustion is recommended. Oiling the blower motor will extend bearing life beyond the 30,000 hour minimum.
3. Keep the aluminum reflectors from accumulating deposited material.



#### WARNING

Use protective glasses when cleaning the heater.

### 4.2 Gas Valve Testing

1. Disconnect the heaters power supply.
2. Disconnect all the wires from the valves terminals.

When testing the valves resistance they should read as follows:

Main (M) to Common (C) 355

Common (C) to Redundant (P) 1.89K

### 4.3 GENERAL TROUBLE SHOOTING

SYMPTOM	POSSIBLE CAUSE	CORRECTIVE ACTION
Thermostat closed. - NO FAN	1. Blown fuse. 2. Faulty thermostat. 3. Disconnected wire. 4. Faulty fan.	1. Replace. 2. Replace. 3. Repair. 4. Replace.
Fan Operates - NO INDICATOR LIGHTS - NO HEATER OPERATION	1. Blocked air intake. 2. Burner switch wire disconnected. 3. Burner switch faulty. 4. Burner switch sensing tubes plugged. 5. Control box lid loose or leaking.	1. Remove all foreign matter in intake air stream. 2. Repair. 3. Replace. 4. Remove clean and install. 5. Secure or reseal.
Fan Operates Burner Switch Light Operates - NO EXHAUST SWITCH LIGHT - NO HEATER OPERATION	1. Exhaust vent blocked. 2. Exhaust switch wire disconnected. 3. Exhaust switch faulty. 4. Excessive wind pressure on vent cap.  5. Wrong baffle installed.	1. Remove all foreign matter in vent. 2. Repair. 3. Replace. 4. Verify cap, extend or relocate. (See Flue Venting 2.8) 5. Consult tube assembly baffle chart for proper lengths. (See page 14)
Fan Operates Indicator Lights Operates - NO GLOBAR	1. Glo-bar broken. 2. Circuit board faulty. 3. Wiring harness disconnected.	1. Replace. 2. Replace. 3. Reconnect or replace.
Indicator Lights Operate Glo-Bar Operates - NO GAS VALVE	1. Circuit board faulty. 2. Gas valve faulty. 3. Wire disconnected.	1. Replace. 2. Replace. 3. Reconnect.
Glo-Bar Operates Gas Valve Operates - NO IGNITION	1. Blocked gas orifice. 2. Low gas pressure. 3. Low glo-bar surface temperature.	1. Remove & clean. 2. Provide required gas pressure. 3. Replace-ensure a clean air supply.
Gas Valve Operates Ignition Occurs - HEATER CYCLES OFF - GOES INTO LOCKOUT	1. Flame sensor faulty. 2. Heater not grounded. 3. Electrical supply service panel not grounded. 4. Gas valve faulty. 5. Circuit board faulty. 6. Electrical polarity incorrect.	1. Replace. 2. Locate and repair. 3. Locate and repair. 4. Replace. 5. Replace. 6. Reconnect.
Heater Operating - TUBE BOWING	1. Insufficient combustion air. 2. Overfired. 3. Ensure exchangers have room to expand. 4. Heater not supported properly. 5. Reflectors not positioned properly. 6. Baffle installed wrong.	1. Check intake duct for blockage and sizing. 2. Check gas pressure. 3. Re-install vent connection. 4. Re-position hangers or chains. 5. Re-position. 6. Re-position.
Heater Operating - VENT CONDENSING	1. Stack length too long. 2. Light gauge flue pipe used. 3. Uninsulated vent pipe running through cold space. 4. Negative pressure in building. 5. Common vented heaters installed with individual thermostats.	1. Shorten stack. 2. Minimum 26 Ga. Required. 3. Insulate vent.  4. Install combustion air intake. 5. Install one thermostat.
Odor or fumes in space.	1. Vaporized solvents decomposing when contacting radiant tubes. 2. Lift trucks. 3. Loose tube connections.	1. Install exhaust fan at ceiling.  2. Install exhaust fan and repair. 3. Tighten to 50-60 lb.-ft.





**LIMITED**  
**Five Year Warranty**  
**RE-VERBER-RAY TUBE TYPE GAS INFRA-RED HEATER**

Brant Radiant Heaters Limited (hereinafter referred to as the Company) warrants to the original purchaser or original user that all Brant Radiant Heaters sold by it and all parts thereof are free from defects in material and/or workmanship under a normal use and service. The Company's sole obligation under this warranty shall be limited to furnishing replacement parts, F.O.B. Paris, Ontario, for 12 months from the date of initial installation of the heater, but not to exceed 12 months from the date of shipment by the Company to original purchaser for the heater, for any parts which the Company's examination shall disclose to its satisfaction to be defective. Defective parts to be returned to the Company, transportation charges prepaid.

**TWO YEAR ADDITIONAL  
WARRANTY ON  
COMBUSTION CHAMBER/  
RADIANT TUBE**

In addition to the above mentioned One-Year Warranty, the Company warrants to the original purchaser or original user of TUBE TYPE Gas Infra-Red Heater that it will at any time during the two years next following the expiration date of the One-Year Warranty, furnish combustion chamber / radiant tube F.O.B. Paris, Ontario, for any combustion chamber / radiant tube which is proved to the satisfaction of the Company to be inoperative due to defects in material or factory workmanship. The Company's sole obligation under the warranty shall be limited to furnishing combustion chamber radiant tube.

This two-year additional warranty covers the combustion chamber / radiant tube only.

**TWO YEAR ADDITIONAL  
WARRANTY ON  
RADIANT TUBE**

In addition to the above mentioned Two-Year Warranty, the Company warrants to the original purchaser or original user of TUBE TYPE Gas Infra-Red Heater that it will at anytime during the two years next following the expiration date of the Two-Year Warranty, furnish radiant tube F.O.B. Paris, Ontario, for any radiant tube which is proved to the satisfaction of the Company to be inoperative due to defects in material or factory workmanship. The Company's sole obligation under the warranty shall be limited to furnishing radiant tube.

This four-year additional warranty covers the radiant tube only.

**GENERAL CONDITIONS**

The warranties set out in this certificate are the exclusive remedy of the original owner or user in lieu of all other warranties written, oral and / or implied (including any warranty of merchantability or fitness for the purpose) and all other obligations and / or liabilities on the part of the Company, and the Company neither assumes nor authorizes any person to assume for it any other obligation or liability in connection with the sale, installation or use of the heater or any parts thereof.

The company will not be responsible for labour charges for the analysis of a defective condition in the heater and / or for the installation of replacement parts.

The warranties provided herein will not apply if the input of the heater exceeds the rated input, as indicated on the name plate, by more than 2%, or if the heater in the judgement of the Company has been subjected to misuse, excessive dust, negligence, accident, corrosive atmospheres, excessive thermal shock, excessive vibration, physical damage to the heater, alterations by unauthorized service, operation contrary to the Company's instructions or if the serial number has been altered, defaced or removed. The Company shall not be liable for any default and / or delay in the performance by it of these warranties caused by contingency beyond its control, including war, government restriction or restraints, strikes, fire, flood, Acts of God, short or reduced supply of raw materials, or parts.

The warranties herein shall be null and void if the heater is not installed by a competent heating contractor and / or if the heater is not installed according to Company instructions and / or if the heater is not maintained and repaired according to Company instructions.

Written permission is required for the return of any part and / or equipment and any such return must be made on the basis of transportation charges prepaid. Shipments may be refused unless prior written permission is obtained and goods returned prepaid.

This warranty applies only within Canada.



## 5.1 BASIC PARTS LIST

<i>Part No.</i>	<i>Description</i>	<i>Part Number</i>	<i>Description</i>
TP-1	Control Box Cover	TP-57A	¼" Pressure Tube
TP-2	Control Box End - DX	TP-59	#8 Hex Nut/ Lock Washer
TP-3	#8 x 1/4" Sheet Metal Screw	TP-60H	Safety Pressure Switch
TP-4A	Control Box	TP-62	#8 x 1/2" Machine Screw
TP-5	Flange Gasket	TP-65A	Heat Diffuser (Baffle)
TP-7	1/4-20 x 1/2" Machine Screw	TP-66	2" x 4" Outlet Box
TP-7A	1/4-20 Hex Nut	TP-67	2" x 4" Outlet Box Cover
TP-9	Conduit Coupling	TP-68A	Strain Relief Bushing
TP-10	Conduit 1/2" x 4"	TP-70	Control Box Gasket
TP-11	Glo-Bar Box	TP-76	Rubber Grommet
TP-12	Glo-Bar Box Cover	TP-78	Triton 2465H Circuit Board
TP-13	#8 x 1/2" Self-Drilling Screw	TP-80	#6-32 x 1" Machine Screw
TP-14	Sight Glass Gasket	TP-81	#6-32 Hex Nut
TP-15	Sight Glass	TP-83	Flexible Gas Connector
TP-16	Sight Glass Washer	TP-104	1/2" x 2" Manifold
TP-17	1/4-20 x 3/8" Thread-Cutting Screw	TP-105	Reflector End Cap (BR-ECR)
TP-19B	Tube/Reflector Hanger (BR-4HGR)	TP-106	Reflector Clip (BR-ECRC)
TP-19C	Reflector Center Support (BR-4IH)	TP-122	Air Inlet Gasket
TP-20	Reflector (120")	TP-200	Burner (50,000 to 100,000 BTUH)
TP-21	Tube Clamp	TP-201	Burner (125,000 to 225,000 BTUH)
TP-26	10 ft. Radiant Tube, Straight	TP-202	16 " Burner Tube
TP-26T	10 ft. Radiant Tube, Straight (AL-TI)	TP-203	SV End Panel-Right
TP-31B	Control Box Bracket	TP-204	Gas Orifice (TP-46)
TP-41	1/4-20 Keps Nut	TP-205	Glo-Bar Holder
TP-44	Inlet Air Orifice w/Screen	TP-208	"Z" Bracket
TP-50	24V Ignitor	TP-210	36E36A-96 Gas Valve (State N.G. or L.P.)
TP-54	Burner Box Divider	TP-78B	Wiring Harness
TP-56C	1/4" Atmosphere tube (vinyl)	TP-217	Ignitor Gasket
		TP-218	(DX-FRW) Flame Rod Wire
		TP-221	Pressure Barb Fitting
		TP-223	Exhaust Pressure Tube (Vinyl)
<i>Part Number</i>	<i>Description</i>	<i>Part Number</i>	<i>Description</i>
TP-1216	NC-7 Exhauster Pump	TP-1289	Exhauster Mounting Tube
TP-1243	Restrictor Plate		
TP-1255	Full Exhauster Assembly		
TP-1266	Power Box Assembly		

NOTE: When ordering heater parts, please state the model and serial number of the heater.

### 5.2 Optional Parts

<i>Item No.</i>	<i>Description</i>
SK-4VC	Vent Cap (Required For Sidewall Venting on 200,000 BTU)
BR-VCF	Exhaust Vent w/Flapper (Required on Unvented Models)
BR-VC	Wall Inlet Vent w/Screen
BR-4-VK	Side Wall Venting Kit (also SK4-VK)
TF-9	Truck Exhaust Terminal for Side Wall Venting
SK-6VC	Vent Cap (Required for Dual Side Wall Vents)
BR-NIR	Side Shield Extension
BR-UA	180° 4" Radiant Pipe
BR-EA	90° 4" Elbow
TP-33B	Gas Cock

