

BRANT RADIANT

RE-VERBER-RAY

RADIANT GAS HEATERS®

HEATERS LIMITED

COMMERCIAL & INDUSTRIAL

SERIES

● ST2

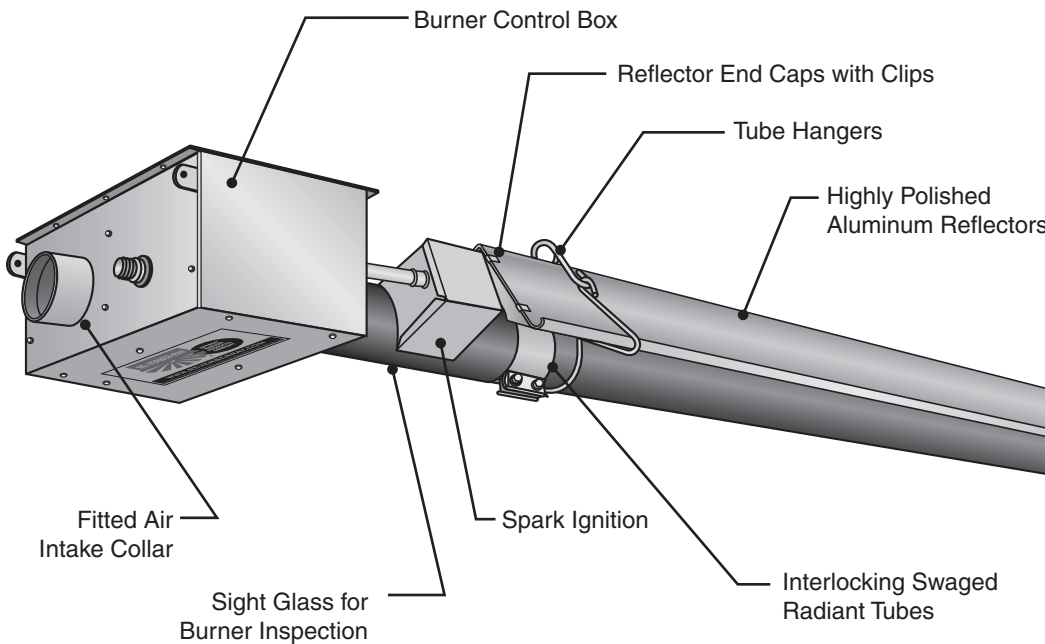
○ SE2

ST2 SERIES

GAS-FIRED, TWO STAGE, ECONOMY INFRA-RED HEATERS

Streamlined for economy and designed without sacrificing performance, the ST2 Series is a quality, energy efficient heater at a more economical price. Our patented **two stage technology**, incorporated into the ST2 Series, provides more comfort while saving valuable energy dollars. Utilizing a direct spark ignition system and hot-rolled steel emitter tubes, this series is the best in this class of equipment.

PRODUCT FEATURES



SPECIFIC FEATURES



- Tool-free access to spark ignition.
- Separated air and gas burner chamber.
- Quiet operation.
- Single or dual vent option through sidewall or roof.
- ABS plastic air intake collar for connection to 4" PVC/DWV pipe.

PRODUCT FEATURES COMPARISON CHART

	ST2	SE2
Highly Polished Aluminum Reflectors	●	●
Coated Titanium or Aluminized Combustion Chamber	●	●
Hot Rolled Steel Radiant Tubes	●	●
Spark Ignition	●	●
Type 1 Rubber Flexible Gas Connector	●	●
Two-stage Technology	●	●
Interlocking Swaged Tubes	●	●
Stainless Steel Models Available*	●	●
Reflector End Caps Included	●	●
Optional 'U' or 'L' Configurations Available	●	●

BRANT RADIANT HEATERS LTD.

34 Scott Ave.
Paris, ON N3L 3R1



Phone: 1-519-442-7823
Toll Free: 1-800-387-4778
Fax: 1-519-442-7321
E-mail: sales@brantradiant.com
Website: www.brantradiant.com

VISIT BRANTRADIANT.COM FOR:

- Product Specs
- Parts Support
- Dealer Locator
- Applications
- C.A.D. Library
- Design Guidelines
- Theory of Infrared
- and More!

Learn more at youtube.com/reverberray



ST2 SERIES

SPECIFICATIONS



PRODUCT SPECIFICATIONS

BTU Range:	65-200 MBH
Lengths:	20-60 Ft.
Gas Type:	Natural or Propane
Combustion Chamber:	Hot-Rolled Steel
Radiant Tubes:	Coated Aluminized Steel
Certification:	CSA
Limited Warranty:	1-5-10 (Components-Tubes-Burner)

OPTIONAL EQUIPMENT

"U", "L", or "45°" Configurations:	Available
Stainless Steel Upgrades:	Available
24V Controls:	Standard
Indicator Lights:	Standard
Protective Guards:	Available
Side Shield Extensions:	Available
Outdoor Approval:	Not Available

ELECTRICAL

- 120V, 60Hz, 3-wire.
- 4.8A starting, 1.1A running.

CONTROLS

- Pre & post purge.
- 24V thermostat control.
- Micro-processor circuitry.

TUBE CONSTRUCTION

- As shown at left.
- 4" x 10' 16 ga. construction.
- Labor saving, interlocking swaged tube design.

REFLECTORS

- Highly polished aluminum.
- End caps included.
- 0° – 45° rotatable angle.
- Tension springs.

IGNITION/SENSE

- Spark ignition.
- Flame rod sense.
- Self-diagnostic LED

VENTING

- 4" single vent.
- 6" common vent.
(with single thermostat & HLRP)
- SK caps on 200 MBH models.

GAS CONNECTION

- ½" or ¾" Type 1 Hose provided.

GAS PRESSURES

- MAN: 3.5" NAT or 10.0" LP
- MIN: 5.5" NAT or 11.0" LP
- MAX: 14.0" NAT or 14.0" LP

COMBUSTION AIR

- Equipped for ducted air intake from roof or sidewall.

KIT CONTENTS

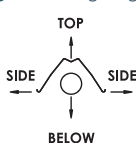
- All hangers & couplers.
- Reflector end caps.
- Turbulator baffles.

AVAILABLE ST2 MODELS & CLEARANCES

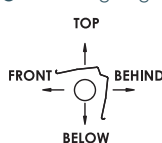
MODEL #	GAS*	MBH HIGH/LOW	LENGTH	WEIGHT	MOUNTING HEIGHTS**
ST2-20-65	N or LP	65/50	21'-9"	120 lbs.	9' to 14'
ST2-20-75	N or LP	75/50	21'-9"	120 lbs.	10' to 15'
ST2-20-100	N or LP	100/65	21'-9"	20lbs.	12' to 20'
ST2-30-65	N or LP	65/50	31'-5"	160 lbs.	10' to 15'
ST2-30-75	N or LP	75/50	31'-5"	160 lbs.	11' to 18'
ST2-30-100	N or LP	100/65	31'-5"	160 lbs.	12' to 20'
ST2-40-65	N or LP	65/50	41'-1"	190 lbs.	11' to 18'
ST2-40-75	N or LP	75/50	41'-1"	190 lbs.	11' to 18'
ST2-40-100	N or LP	100/65	41'-1"	190 lbs.	12' to 20'
ST2-40-125	N or LP	125/95	41'-1"	190 lbs.	13' to 23'
ST2-40-150	N or LP	150/100	41'-1"	190 lbs.	14' to 25'
ST2-50-125	N or LP	125/95	50'-9"	235 lbs.	15' to 27'
ST2-50-150	N or LP	150/100	50'-9"	235 lbs.	15' to 27'
ST2-50-175	N or LP	175/125	50'-9"	235 lbs.	16' to 30'
ST2-50-200	N or LP	200/145	50'-9"	235 lbs.	17' to 35'
ST2-60-150	N or LP	150/100	60'-5"	265 lbs.	16' to 30'
ST2-60-175	N or LP	175/125	60'-5"	265 lbs.	16' to 30'
ST2-60-200	N or LP	200/145	60'-5"	265 lbs.	17' to 35'

* Specify natural (N) or propane (LP) gas.

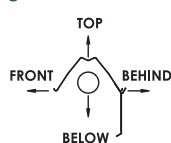
0° Mounting Angle



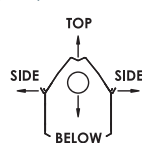
45° Mounting Angle



0° W/ 1 Side Shield



0° W/ 2 Side Shields



HL2 CLEARANCES TO COMBUSTIBLES (IN.)

MODEL NO.	MOUNTING ANGLE	SIDE		TOP	BELOW	
		FRONT	BEHIND			
ST2-(20,30,40)-(65-75)	0°	9	9	6	60	
	45°	39	8	10	60	
	W/1 side shield	0°	29	8	6	60
	W/2 side shields	0°	9	9	6	60
20 ft. from burner	0°	7	7	6	30	
ST2-(30,40)-100	0°	14	14	6	66	
	45°	39	8	10	66	
	W/1 side shield	0°	29	8	6	66
	W/2 side shields	0°	16	16	6	66
20 ft. from burner	0°	7	7	6	30	
ST2-(40,50)-125	0°	20	20	6	76	
	45°	58	8	10	76	
	W/1 side shield	0°	42	8	6	76
	W/2 side shields	0°	20	20	6	76
20 ft. from burner	0°	7	7	6	30	
ST2-(40,50,60)-150	0°	24	24	6	81	
	45°	58	8	10	81	
	W/1 side shield	0°	42	8	6	81
	W/2 side shields	0°	23	23	6	81
20 ft. from burner	0°	11	11	6	44	
ST2-(50,60)-175	0°	34	34	6	92	
	45°	63	8	10	92	
	W/1 side shield	0°	50	8	6	92
	W/2 side shields	0°	30	30	6	92
20 ft. from burner	0°	11	11	6	44	
ST2-(50,60)-200	0°	41	41	6	94	
	45°	63	8	10	94	
	W/1 side shield	0°	54	8	6	94
	W/2 side shields	0°	30	30	6	94
20 ft. from burner	0°	11	11	6	44	

Clearances posted on product safety labeling supersede data above.

* Recommended mounting heights are provided as a guideline.

DISTRIBUTED BY:

